

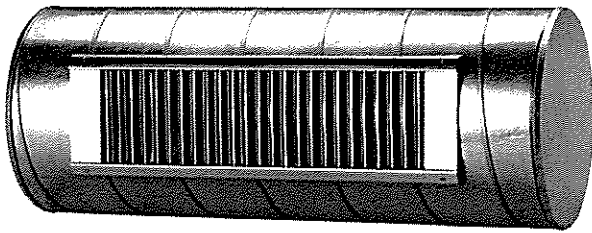
RGS

Circular duct grille



Circular duct grille

RGS



Description

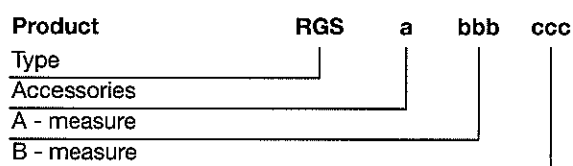
RGS is a rectangular ventilation grille with vertical adjustable bars for direct installation in circular ducts. The grille can be used for both supply and exhaust air. The grille can be supplied with horizontal directional bars, straight or slanting sliding damper or blade damper. The grille is designed so that the grille flanges always fit tight to the duct regardless of the duct diameter. RGS is made of galvanised steel plate and is put together without welding. This means that the grille can be used without further surface treatment. The exterior of the grille thus matches the duct surface.

- Can be used for both supply and exhaust air
- Installed directly in circular duct
- Can be fitted with many types of accessory

Maintenance

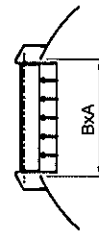
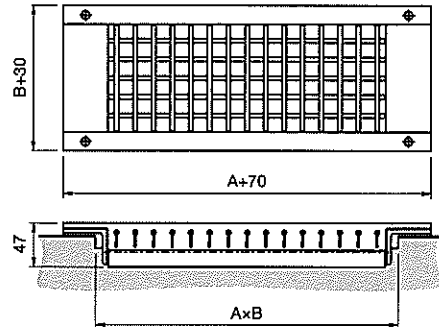
The grille should be removed to gain access to the duct.

Order code



A x B = Cutting dimension

Dimensions



A x B = Cutting dimension

Screws included.

Materials and finish

Grille:	Galvanised steel
Sliding damper:	Electro-galvanised steel
Blade damper:	Electro-galvanised steel

The diffuser is available in other colours. Please contact Lindab's sales department for further information.

Circular duct grille

RGS

Dimensions

Measure		Min duct measure mm	Free area F(m ²)	C - Measure mm	RGS 1 Weight kg
A	x B				
325	X 75	160	0.017	106	1.10
325	X 125	250	0.028	106	1.30
325	X 150	315	0.034	106	1.40
325	X 225	500	0.056	106	2.20
425	X 75	160	0.023	116	1.40
425	X 125	250	0.037	116	1.80
425	X 150	315	0.045	116	1.90
425	X 225	500	0.074	116	3.00
525	X 75	160	0.028	126	1.70
525	X 125	250	0.047	126	2.00
525	X 150	315	0.056	126	2.30
525	X 225	500	0.093	126	3.40
625	X 75	160	0.034	131	1.90
625	X 125	250	0.056	131	2.40
625	X 150	315	0.068	131	2.60
625	X 225	500	0.112	131	3.70
825	X 75	160	0.045	151	2.40
825	X 125	250	0.074	151	3.10
825	X 150	315	0.093	151	3.50
825	X 225	500	0.148	151	5.10
1025	X 75	200	0.056	166	2.90
1025	X 125	250	0.093	166	3.40
1025	X 150	315	0.112	166	3.90
1025	X 225	500	0.186	166	5.80
1225	X 75	200	0.068	186	3.20
1225	X 125	250	0.112	186	4.00
1225	X 150	315	0.136	186	4.40
1225	X 225	500	0.224	186	6.30

Use

RGS-2

Suitable for supply and exhaust air. The grille is equipped with a single adjustment damper and has a lower sound level than RGS-6.

RGS-3

As RGS-2 with horizontal directional bars specifically for supply air.

RGS-4

The grille is suitable for exhaust only.

RGS-6 Slanting sliding damper

Suitable for supply and exhaust air. The grille is equipped with a slanting sliding damper, which means the air is distributed evenly over the whole grille.

RGS-7

As RGS-6 with horizontal directional bars specifically for supply air.

Accessories

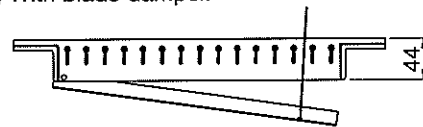
RGS-0, without accessories.



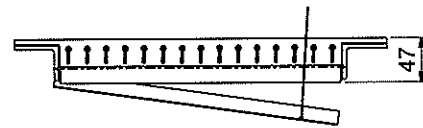
RGS-1, With directional bars.



RGS-2, With blade damper.



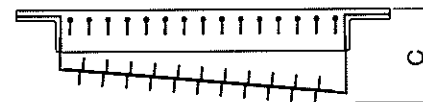
RGS-3, With directional bars and blade damper.



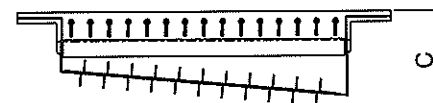
RGS-4, With straight sliding damper.



RGS-6, With slanting sliding damper.



RGS-7, With directional bars and slanting sliding damper.



Circular duct grille

RGS

Technical data

Effective speed v_0


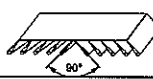
The diagram for throw (see next page) specifies effective speed v_0 [m/s] as a function of the volume flow q [m³/h, l/s] for each grille size with 0° bar setting.

The diffuser is available in other colours. Please contact Lindab's sales department for further information.

Throw $l_{0,2}$

The diagram for throw (see next page) specifies the throw $l_{0,2}$ [m] at an average terminal velocity of 0.2 m/s, 0° bar setting without ceiling effect. (Distance from grille to ceiling greater than 800 mm.)

Table 1: Correction for dispersal.

Bar setting		
Correction factor v_0	1,1	1,2
Correction factor $l_{0,2}$	0,8	0,5

Ceiling effect

If the distance from grille to ceiling is less than 300 mm, the throw $l_{0,2}$ must be multiplied by 1.4.

Total pressure p_t

The diagram "Pressure – sound level" states the grille's total pressure p_t [Pa].

Sound effect level L_{WA}

The diagram "Pressure – sound level" states the grille's sound effect level L_{WA} [dB(A)] at a free area of 0.05 m².

Table 2: Correction for free area.

Correction free area											
F [m ²]	0,02	0,025	0,03	0,04	0,05	0,06	0,08	0,1	0,13	0,17	0,2
correction [dB]	-4	-3	-2	-1	0	+1	+2	+3	+4	+5	+6

Duct speed v_k

Pressure and sound effect level are stated for different duct speeds v_k [m/s].

For duct speeds $v_k < 1$ m/s, the sound values L_{WA} must be corrected by -7 dB.

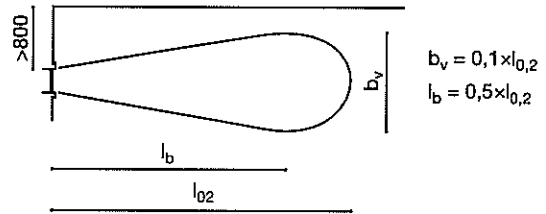
The diagrams on the following pages are in table form. See dimensioning tables.

The values apply to grilles with 0° dispersal.

Table 3: Correction for dispersal.

Bar setting	45°	90°
Pressure	x1,15	x1,3
Sound power level	+1	+2

Air jet dispersal



$$\begin{aligned}
 X = 0^\circ : b_h &= 0,3 \times l_{0,2} & l_b &= 0,5 \times l_{0,2} \\
 X = 45^\circ : b_h &= 0,4 \times l_{0,2} & l_b &= 0,5 \times l_{0,2} \\
 X = 90^\circ : b_h &= 0,6 \times l_{0,2} & l_b &= 0,5 \times l_{0,2}
 \end{aligned}$$

$l_{0,2}$: Catalogue values

Sample calculation 1

Room width:	W = 6 m,
Room height:	H = 2.6 m
Volume flow per grille:	300 m ³ /h
Duct speed:	$v_k = 4$ m/s
Speed in the occupied zone:	< 0.25 m/s

From next page:

$$v_x = \frac{l_{0,2}}{B + C} \times 0,2 \quad C = H - 1,8 = 0,8 \text{ m}$$

$$v_x \leq 0,25 \text{ m/s} \quad B + C = 6,8 \text{ m}$$

$$l_{0,2} \leq (B + C) \times \frac{v_x}{0,2} \leq 6,8 \times \frac{0,25}{0,2} \leq 8,5 \text{ m}$$

The diagram "Effective speed v_0 - Throw $l_{0,2}$ " (next pages):

$$\begin{aligned}
 \text{Grille } 625 \times 75: \quad l_{0,2} &= 8.0 \text{ m} \\
 v_0 &= 2.5 \text{ m/s}
 \end{aligned}$$

Pressure loss and sound effect level:

The diagram "Pressure-Sound level":
100% open damper

$$\begin{aligned}
 v_0 &= 2.5 \text{ m/s} & v_k &= 4.0 \text{ m/s} \\
 p_t &= 23 \text{ Pa} \\
 L_{WA} &= 44 \text{ dB(A)}
 \end{aligned}$$

Free area:	0.034 m ²
Correction table 2:	- 2

$$L_{WA} = 44 - 2 = 42 \text{ dB(A)}$$

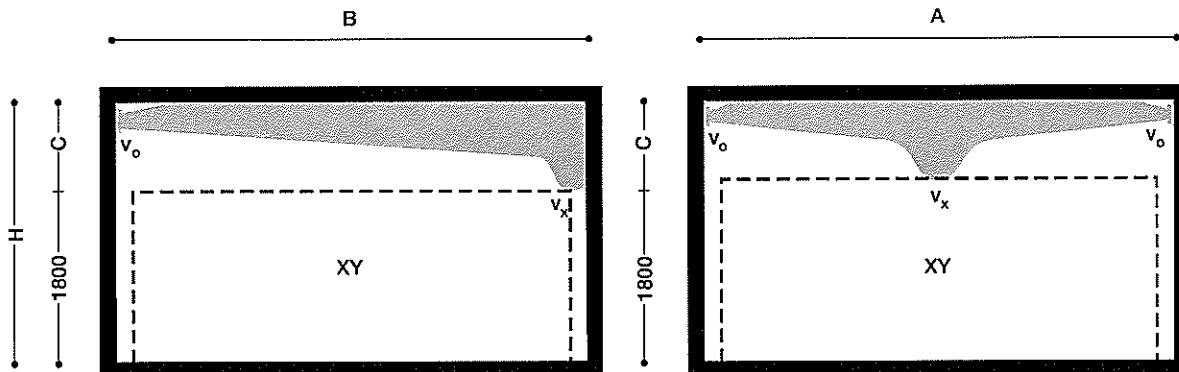
The diagram "Pressure – Sound level": 50% open damper:

$$\begin{aligned}
 p_t &= 42 \text{ Pa} \\
 L_{WA} &= 50 - 2 = 48 \text{ dB(A)}
 \end{aligned}$$

Circular duct grille

RGS

Technical data - Supply air



XY = occupied zone

Final velocities

The speed in occupied zone v_x :

$$v_x = \frac{l_{0,2}}{B + C} \times 0,2 \text{ m/s} \quad v_x = \frac{l_{0,2}}{\frac{A}{2} + C} \times 0,2 \text{ m/s}$$

Terminal velocity v_x at distance X:

$$v_x = \frac{l_{0,2} \times 0,2}{X}$$

Other terminal velocities v_x :

The distance to the point where the speed has decreased to

v_x is: $X = K \times l_{0,2}$

Table 4:

v_x	0,15	0,2	0,25	0,3	0,35	0,4
K	1,33	1,0	0,8	0,67	0,57	0,5

Final velocities

Room: Width: $W = 7 \text{ m}$, Height: 2.7 m

$$C = 2.7 - 1.8 = 0.9 \text{ m}$$

Grille: 825×75 Volume flow: $400 \text{ m}^3/\text{h}$

Throw according to the diagram on the next page:

$$l_{0,2} = 9.0 \text{ m}$$

The speed in the occupied zone:

$$v_x = \frac{l_{0,2}}{B + C} \times 0,2 = \frac{9,0}{7,9} \times 0,2 = 0,23 \text{ m/s}$$

The speed 4 m from the grille is:

$$v_x = \frac{l_{0,2} \times 0,2}{B + C} = \frac{9 \times 0,2}{4} = 0,45 \text{ m/s}$$

The distance to the point where the speed has decreased to $0,3 \text{ m/s}$ is:

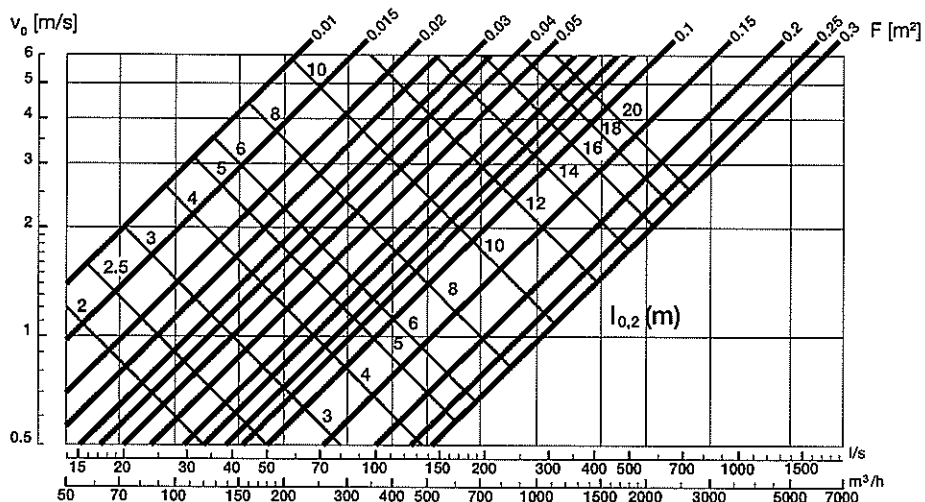
$$0,67 \times l_{0,2} = 0,67 \times 9 = 6,0 \text{ m}$$

Circular duct grille

RGS

Technical data - Supply and exhaust air

Effective speed v_0 - Throw $l_{0,2}$



Sample calculation 3

Grille 1025 x 75

Volume flow: 500 m³/h

Supply air speed: $v_0 = 2.7$ m/s

Throw: $l_{0,2} = 10.0$ m

With 90° dispersal: (See table 1, previous page)

$$v_0 = 1.2 \times 2.7 = 3.2 \text{ m/s}$$

$$l_{0,2} = 0.5 \times 10.0 = 5.0 \text{ m}$$

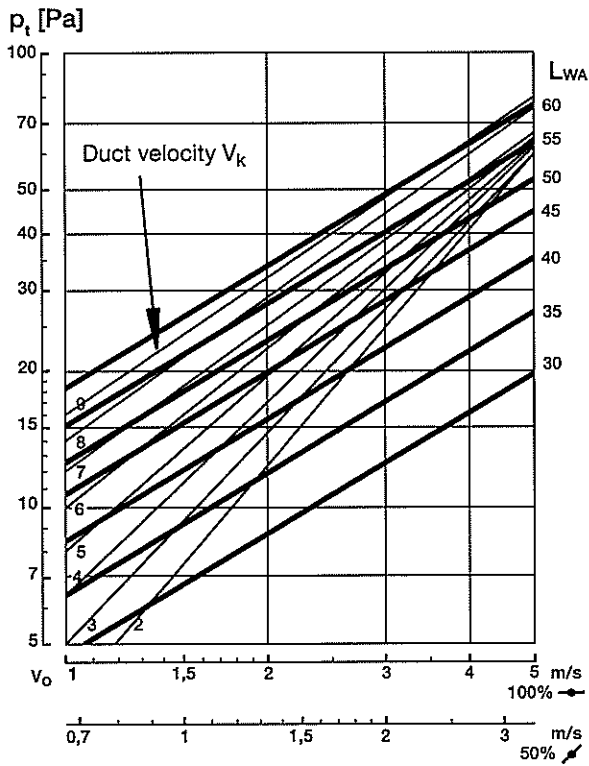
Circular duct grille

RGS

Technical data - Supply and exhaust air

Pressure - Sound level

RGS with accessories 4, 6 and 7



Sample calculation 4

RGS-6 625 x 75 V Area: 0.034 m²
 Volume flow: 250 m³/h
 Supply air speed: v_o = 2.0 m/s
 Duct speed: v_k = 4 m/s

100% open damper:

p_t = 17 Pa
 L_{WA} = 42 dB

Table 6:

0.03 m²: -2 dB
 L_{WA} = 42 - 2 = 40 dB

50% open damper:

p_t = 30 Pa
 L_{WA} = 47 - 2 = 45 dB

Dimensioning tables for RGS

The following pages contain dimensioning tables for RGS with accessories 4, 6 and 7. Correction for RGS with accessories 2 and 3 - see table 5.

Explanation for dimensioning tables

1. Volume of air (m³/h)
2. Throw
3. Duct speed
4. 100% open damper
5. 50% open damper
6. Volume of air (l/s)
7. Pressure loss
8. Sound level
9. Pressure loss
10. Sound level

1	q: 1200 m ³ /h - 333 l/s			6		
2	l ₀₂ : 11,0 m					
3	v _k -m/s	3	6	9		
4	100%	P _t	10	16	24	7
		L _w	40	51	62	8
5	50%	P _t	17	25	35	9
		L _w	46	56	64	10

Correction

Correction for RGS with accessories 2 and 3.

Table 5:

Total pressure p _t	x 0,75	Pa
Sound power level L _{WA}	-3	dB(A)

Table 6: Correction for free area.

Correction free area											
F [m ²]	0,02	0,025	0,03	0,04	0,05	0,06	0,08	0,1	0,13	0,17	0,2
correction [dB]	-4	-3	-2	-1	0	+1	+2	+3	+4	+5	+6

Circular duct grille

RGS

Technical data-Supply and exhaust air

Dimensioning table with accessories 4, 6 and 7

B dimension: 75 mm

325x75 0,017 m ²	q: 75 m ³ /h - 21 l/s l _{0,2} : 2,0 m			q: 100 m ³ /h - 28 l/s l _{0,2} : 3,0 m			q: 150 m ³ /h - 42 l/s l _{0,2} : 4,5 m			q: 200 m ³ /h - 56 l/s l _{0,2} : 7,0 m			q: 250 m ³ /h - 69 l/s l _{0,2} : 9,0 m		
	v _k -m/s			v _k -m/s			v _k -m/s			v _k -m/s			v _k -m/s		
	100%	P _t	7 12 20	100%	P _t	11 17 26	100%	P _t	20 28 38	100%	P _t	30 38 52	100%	P _t	43 51 62
		L _W	29 41 49		L _W	32 43 54		L _W	37 46 55		L _W	41 49 56		L _W	45 50 56
425x75 0,023 m ²	q: 100 m ³ /h - 28 l/s l _{0,2} : 2,5 m			q: 150 m ³ /h - 42 l/s l _{0,2} : 4,5 m			q: 200 m ³ /h - 56 l/s l _{0,2} : 5,5 m			q: 250 m ³ /h - 69 l/s l _{0,2} : 7,0 m			q: 300 m ³ /h - 83 l/s l _{0,2} : 9,0 m		
	v _k -m/s			v _k -m/s			v _k -m/s			v _k -m/s			v _k -m/s		
	100%	P _t	7 12 20	100%	P _t	12 20 29	100%	P _t	20 28 38	100%	P _t	27 35 48	100%	P _t	36 44 56
		L _W	29 42 50		L _W	34 44 53		L _W	38 47 56		L _W	41 49 56		L _W	44 51 56
525x75 0,028 m ²	q: 150 m ³ /h - 42 l/s l _{0,2} : 3,9 m			q: 200 m ³ /h - 56 l/s l _{0,2} : 5,5 m			q: 250 m ³ /h - 69 l/s l _{0,2} : 7,5 m			q: 300 m ³ /h - 83 l/s l _{0,2} : 9,0 m			q: 350 m ³ /h - 97 l/s l _{0,2} : 10,0 m		
	v _k -m/s			v _k -m/s			v _k -m/s			v _k -m/s			v _k -m/s		
	100%	P _t	11 16 25	100%	P _t	14 22 32	100%	P _t	21 28 38	100%	P _t	25 35 48	100%	P _t	35 43 55
		L _W	33 44 55		L _W	36 46 56		L _W	39 48 57		L _W	41 50 57		L _W	45 52 58
625x75 0,034 m ²	q: 200 m ³ /h - 56 l/s l _{0,2} : 5,0 m			q: 250 m ³ /h - 69 l/s l _{0,2} : 6,5 m			q: 300 m ³ /h - 83 l/s l _{0,2} : 8,5 m			q: 350 m ³ /h - 97 l/s l _{0,2} : 9,5 m			q: 400 m ³ /h - 111 l/s l _{0,2} : 10,5 m		
	v _k -m/s			v _k -m/s			v _k -m/s			v _k -m/s			v _k -m/s		
	100%	P _t	11 16 25	100%	P _t	14 22 32	100%	P _t	21 28 38	100%	P _t	25 35 48	100%	P _t	30 38 52
		L _W	34 45 54		L _W	37 47 57		L _W	40 49 58		L _W	42 51 58		L _W	44 52 59
825x75 0,045 m ²	q: 250 m ³ /h - 69 l/s l _{0,2} : 5,2 m			q: 300 m ³ /h - 83 l/s l _{0,2} : 7,0 m			q: 400 m ³ /h - 111 l/s l _{0,2} : 9,0 m			q: 500 m ³ /h - 139 l/s l _{0,2} : 10,5 m			q: 600 m ³ /h - 167 l/s l _{0,2} : 12,0 m		
	v _k -m/s			v _k -m/s			v _k -m/s			v _k -m/s			v _k -m/s		
	100%	P _t	10 16 24	100%	P _t	12 20 29	100%	P _t	21 28 38	100%	P _t	27 35 48	100%	P _t	37 46 57
		L _W	35 46 57		L _W	37 47 56		L _W	41 50 59		L _W	44 52 59		L _W	48 55 60
1025x75 0,056 m ²	q: 300 m ³ /h - 83 l/s l _{0,2} : 6,0 m			q: 400 m ³ /h - 111 l/s l _{0,2} : 8,5 m			q: 500 m ³ /h - 139 l/s l _{0,2} : 10,0 m			q: 600 m ³ /h - 167 l/s l _{0,2} : 11,5 m			q: 700 m ³ /h - 194 l/s l _{0,2} : 13,0 m		
	v _k -m/s			v _k -m/s			v _k -m/s			v _k -m/s			v _k -m/s		
	100%	P _t	10 16 24	100%	P _t	14 22 32	100%	P _t	21 28 38	100%	P _t	27 35 48	100%	P _t	35 43 55
		L _W	36 47 58		L _W	39 49 59		L _W	42 51 60		L _W	45 53 60		L _W	48 55 61
1225x75 0,068 m ²	q: 400 m ³ /h - 111 l/s l _{0,2} : 7,0 m			q: 500 m ³ /h - 139 l/s l _{0,2} : 9,0 m			q: 600 m ³ /h - 167 l/s l _{0,2} : 10,5 m			q: 700 m ³ /h - 194 l/s l _{0,2} : 11,5 m			q: 800 m ³ /h - 222 l/s l _{0,2} : 13,0 m		
	v _k -m/s			v _k -m/s			v _k -m/s			v _k -m/s			v _k -m/s		
	100%	P _t	11 17 26	100%	P _t	14 22 32	100%	P _t	21 28 38	100%	P _t	25 35 48	100%	P _t	30 38 52
		L _W	37 48 59		L _W	40 50 60		L _W	43 52 61		L _W	45 54 61		L _W	47 55 62
	50%			50%			50%			50%			50%		
		P _t	12 21 30		P _t	21 28 40		P _t	38 45 60		P _t	60 65 81		P _t	83 92 104
		L _W	34 44 54		L _W	38 46 55		L _W	44 50 56		L _W	49 51 58		L _W	54 57 60
		P _t	20 28 38		P _t	28 37 47		P _t	46 52 58		P _t	51 56 74		P _t	70 79 90
	L _W	43 51 60		L _W	46 52 61		L _W	50 54 62		L _W	53 57 63		L _W	57 60 63	
	P _t	28 37 47		P _t	37 47 57		P _t	47 57 67		P _t	48 57 67		P _t	60 65 81	
	L _W	43 51 60		L _W	46 52 61		L _W	50 54 62		L _W	53 57 63		L _W	57 60 63	
	P _t	28 37 47		P _t	37 47 57		P _t	47 57 67		P _t	48 57 67		P _t	60 65 81	
	L _W	43 51 60		L _W	46 52 61		L _W	50 54 62		L _W	53 57 63		L _W	57 60 63	

Circular duct grille

RGS

Technical data-Supply and exhaust air

Dimensioning table with accessories 4, 6 and 7

B dimension: 125 mm

325x125 0,028 m ²	q: 150 m ³ /h - 42 l/s l _{0,2} : 3,9 m				q: 200 m ³ /h - 56 l/s l _{0,2} : 5,5 m				q: 250 m ³ /h - 69 l/s l _{0,2} : 7,5 m				q: 300 m ³ /h - 83 l/s l _{0,2} : 9,0 m				q: 350 m ³ /h - 97 l/s l _{0,2} : 10,0 m			
	v _k -m/s				v _k -m/s				v _k -m/s				v _k -m/s				v _k -m/s			
	100%		50%		100%		50%		100%		50%		100%		50%		100%		50%	
	p _t		L _W		p _t		L _W		p _t		L _W		p _t		L _W		p _t		L _W	
425x125 0,037 m ²	q: 200 m ³ /h - 56 l/s l _{0,2} : 4,5 m				q: 250 m ³ /h - 69 l/s l _{0,2} : 6,0 m				q: 300 m ³ /h - 83 l/s l _{0,2} : 7,5 m				q: 350 m ³ /h - 97 l/s l _{0,2} : 9,0 m				q: 400 m ³ /h - 111 l/s l _{0,2} : 10,0 m			
	v _k -m/s				v _k -m/s				v _k -m/s				v _k -m/s				v _k -m/s			
	100%		50%		100%		50%		100%		50%		100%		50%		100%		50%	
	p _t		L _W		p _t		L _W		p _t		L _W		p _t		L _W		p _t		L _W	
525x125 0,047 m ²	q: 250 m ³ /h - 69 l/s l _{0,2} : 5,2 m				q: 300 m ³ /h - 83 l/s l _{0,2} : 7,0 m				q: 400 m ³ /h - 111 l/s l _{0,2} : 9,0 m				q: 500 m ³ /h - 139 l/s l _{0,2} : 10,5 m				q: 600 m ³ /h - 167 l/s l _{0,2} : 12,0 m			
	v _k -m/s				v _k -m/s				v _k -m/s				v _k -m/s				v _k -m/s			
	100%		50%		100%		50%		100%		50%		100%		50%		100%		50%	
	p _t		L _W		p _t		L _W		p _t		L _W		p _t		L _W		p _t		L _W	
625x125 0,056 m ²	q: 300 m ³ /h - 83 l/s l _{0,2} : 6,0 m				q: 400 m ³ /h - 111 l/s l _{0,2} : 8,5 m				q: 500 m ³ /h - 139 l/s l _{0,2} : 10,0 m				q: 600 m ³ /h - 167 l/s l _{0,2} : 11,5 m				q: 700 m ³ /h - 194 l/s l _{0,2} : 13,0 m			
	v _k -m/s				v _k -m/s				v _k -m/s				v _k -m/s				v _k -m/s			
	100%		50%		100%		50%		100%		50%		100%		50%		100%		50%	
	p _t		L _W		p _t		L _W		p _t		L _W		p _t		L _W		p _t		L _W	
825x125 0,074 m ²	q: 400 m ³ /h - 111 l/s l _{0,2} : 7,5 m				q: 500 m ³ /h - 139 l/s l _{0,2} : 9,0 m				q: 600 m ³ /h - 167 l/s l _{0,2} : 11,0 m				q: 700 m ³ /h - 194 l/s l _{0,2} : 11,5 m				q: 800 m ³ /h - 222 l/s l _{0,2} : 13,0 m			
	v _k -m/s				v _k -m/s				v _k -m/s				v _k -m/s				v _k -m/s			
	100%		50%		100%		50%		100%		50%		100%		50%		100%		50%	
	p _t		L _W		p _t		L _W		p _t		L _W		p _t		L _W		p _t		L _W	
1025x125 0,093 m ²	q: 500 m ³ /h - 139 l/s l _{0,2} : 8,0 m				q: 600 m ³ /h - 167 l/s l _{0,2} : 9,5 m				q: 700 m ³ /h - 194 l/s l _{0,2} : 10,5 m				q: 800 m ³ /h - 222 l/s l _{0,2} : 12,0 m				q: 1000 m ³ /h - 278 l/s l _{0,2} : 14,0 m			
	v _k -m/s				v _k -m/s				v _k -m/s				v _k -m/s				v _k -m/s			
	100%		50%		100%		50%		100%		50%		100%		50%		100%		50%	
	p _t		L _W		p _t		L _W		p _t		L _W		p _t		L _W		p _t		L _W	
1225x125 0,112 m ²	q: 600 m ³ /h - 167 l/s l _{0,2} : 9,0 m				q: 700 m ³ /h - 194 l/s l _{0,2} : 10,0 m				q: 800 m ³ /h - 222 l/s l _{0,2} : 11,5 m				q: 1000 m ³ /h - 278 l/s l _{0,2} : 13,0 m				q: 1200 m ³ /h - 333 l/s l _{0,2} : 15,0 m			
	v _k -m/s				v _k -m/s				v _k -m/s				v _k -m/s				v _k -m/s			
	100%		50%		100%		50%		100%		50%		100%		50%		100%		50%	
	p _t		L _W		p _t		L _W		p _t		L _W		p _t		L _W		p _t		L _W	

Circular duct grille

RGS

Technical data-Supply and exhaust air

Dimensioning table with accessories 4, 6 and 7

B dimension: 150 mm

325x150 0,034 m ²	q: 200 m ³ /h - 56 l/s l _{0,2} : 5,0 m				q: 250 m ³ /h - 69 l/s l _{0,2} : 6,5 m				q: 300 m ³ /h - 83 l/s l _{0,2} : 8,5 m				q: 350 m ³ /h - 97 l/s l _{0,2} : 9,5 m				q: 400 m ³ /h - 111 l/s l _{0,2} : 10,5 m													
	v _k -m/s				v _k -m/s				v _k -m/s				v _k -m/s				v _k -m/s													
	100%		p _t	11	16	25	100%		p _t	14	22	32	100%		p _t	21	28	38	100%		p _t	25	35	48	100%		p _t	30	38	52
			L _W	34	45	54			L _W	37	47	57			L _W	40	49	58			L _W	42	51	58			L _W	44	52	59
50%		p _t	20	30	40	50%		p _t	28	37	47	50%		p _t	38	47	60	50%		p _t	48	57	67	50%		p _t	60	65	81	
		L _W	40	48	57			L _W	43	51	58			L _W	47	53	59			L _W	50	54	60			L _W	52	54	61	
425x150 0,045 m ²	q: 250 m ³ /h - 69 l/s l _{0,2} : 5,2 m				q: 300 m ³ /h - 83 l/s l _{0,2} : 7,0 m				q: 400 m ³ /h - 111 l/s l _{0,2} : 9,0 m				q: 500 m ³ /h - 139 l/s l _{0,2} : 10,5 m				q: 600 m ³ /h - 167 l/s l _{0,2} : 12,0 m													
	v _k -m/s				v _k -m/s				v _k -m/s				v _k -m/s				v _k -m/s													
	100%		p _t	10	16	24	100%		p _t	12	20	29	100%		p _t	21	28	38	100%		p _t	27	35	48	100%		p _t	37	46	57
			L _W	35	46	57			L _W	37	47	56			L _W	41	50	59			L _W	44	52	59			L _W	48	55	60
50%		p _t	17	25	35	50%		p _t	26	31	43	50%		p _t	38	47	60	50%		p _t	51	56	74	50%		p _t	72	82	93	
		L _W	40	50	58			L _W	43	52	59			L _W	48	54	60			L _W	52	54	61			L _W	57	60	63	
525x150 0,056 m ²	q: 300 m ³ /h - 83 l/s l _{0,2} : 6,0 m				q: 400 m ³ /h - 111 l/s l _{0,2} : 8,5 m				q: 500 m ³ /h - 139 l/s l _{0,2} : 10,0 m				q: 600 m ³ /h - 167 l/s l _{0,2} : 11,5 m				q: 700 m ³ /h - 194 l/s l _{0,2} : 13,0 m													
	v _k -m/s				v _k -m/s				v _k -m/s				v _k -m/s				v _k -m/s													
	100%		p _t	10	16	24	100%		p _t	14	22	32	100%		p _t	21	28	38	100%		p _t	27	35	48	100%		p _t	35	43	55
			L _W	36	47	58			L _W	39	49	59			L _W	42	51	60			L _W	45	53	60			L _W	48	55	61
50%		p _t	17	25	35	50%		p _t	28	37	47	50%		p _t	38	47	60	50%		p _t	51	56	74	50%		p _t	69	78	89	
		L _W	41	51	59			L _W	45	53	60			L _W	49	55	61			L _W	53	55	61			L _W	57	61	64	
625x150 0,068 m ²	q: 400 m ³ /h - 111 l/s l _{0,2} : 7,0 m				q: 500 m ³ /h - 139 l/s l _{0,2} : 9,0 m				q: 600 m ³ /h - 167 l/s l _{0,2} : 10,5 m				q: 700 m ³ /h - 194 l/s l _{0,2} : 11,5 m				q: 800 m ³ /h - 222 l/s l _{0,2} : 13,0 m													
	v _k -m/s				v _k -m/s				v _k -m/s				v _k -m/s				v _k -m/s													
	100%		p _t	11	17	26	100%		p _t	14	22	32	100%		p _t	21	28	38	100%		p _t	25	35	48	100%		p _t	30	38	52
			L _W	37	48	59			L _W	40	50	60			L _W	43	52	61			L _W	45	54	61			L _W	47	55	62
50%		p _t	20	28	38	50%		p _t	28	37	47	50%		p _t	38	47	60	50%		p _t	48	57	68	50%		p _t	60	65	81	
		L _W	43	51	60			L _W	46	54	61			L _W	50	52	62			L _W	53	57	63			L _W	55	57	64	
825x150 0,093 m ²	q: 500 m ³ /h - 139 l/s l _{0,2} : 8,0 m				q: 600 m ³ /h - 167 l/s l _{0,2} : 9,5 m				q: 700 m ³ /h - 194 l/s l _{0,2} : 10,5 m				q: 800 m ³ /h - 222 l/s l _{0,2} : 12,0 m				q: 1000 m ³ /h - 278 l/s l _{0,2} : 14,0 m													
	v _k -m/s				v _k -m/s				v _k -m/s				v _k -m/s				v _k -m/s													
	100%		p _t	10	16	24	100%		p _t	12	20	29	100%		p _t	16	23	33	100%		p _t	20	28	38	100%		p _t	27	35	48
			L _W	37	48	59			L _W	40	50	59			L _W	40	52	61			L _W	44	53	62			L _W	47	55	63
50%		p _t	17	25	35	50%		p _t	26	31	43	50%		p _t	29	39	50	50%		p _t	38	45	60	50%		p _t	51	56	74	
		L _W	43	53	61			L _W	46	55	62			L _W	48	56	63			L _W	51	57	63			L _W	55	57	63	
1025x150 0,112 m ²	q: 600 m ³ /h - 167 l/s l _{0,2} : 9,0 m				q: 700 m ³ /h - 194 l/s l _{0,2} : 10,0 m				q: 800 m ³ /h - 222 l/s l _{0,2} : 11,0 m				q: 1000 m ³ /h - 278 l/s l _{0,2} : 13,0 m				q: 1200 m ³ /h - 333 l/s l _{0,2} : 15,0 m													
	v _k -m/s				v _k -m/s				v _k -m/s				v _k -m/s				v _k -m/s													
	100%		p _t	10	16	24	100%		p _t	12	19	27	100%		p _t	14	22	32	100%		p _t	21	28	38	100%		p _t	27	35	48
			L _W	38	49	60			L _W	41	51	62			L _W	42	52	62			L _W	45	54	63			L _W	48	56	64
50%		p _t	17	25	35	50%		p _t	21	30	41	50%		p _t	28	37	47	50%		p _t	38	47	60	50%		p _t	51	56	74	
		L _W	44	54	62			L _W	46	55	63			L _W	48	56	63			L _W	52	58	64			L _W	56	58	64	
1225x150 0,136 m ²	q: 700 m ³ /h - 222 l/s l _{0,2} : 8,5 m				q: 800 m ³ /h - 278 l/s l _{0,2} : 10,0 m				q: 1000 m ³ /h - 333 l/s l _{0,2} : 11,5 m				q: 1200 m ³ /h - 389 l/s l _{0,2} : 13,0 m				q: 1400 m ³ /h - 444 l/s l _{0,2} : 15,0 m													
	v _k -m/s				v _k -m/s				v _k -m/s				v _k -m/s				v _k -m/s													
	100%		p _t	8	15	22	100%		p _t	11	16	25	100%		p _t	14	22	32	100%		p _t	21	28	38	100%		p _t	25	35	48
			L _W	39	49	61			L _W	39	50	61			L _W	42	52	62			L _W	45	54	63			L _W	47	56	63
50%		p _t	16	23	33	50%		p _t	20	28	38	50%		p _t	28	37	47	50%		p _t	38	47	60	50%		p _t	48	57	67	
		L _W	41	53	62			L _W	45	53	62			L _W	48	56	63			L _W	52	58	64			L _W	55	59	65	

Circular duct grille

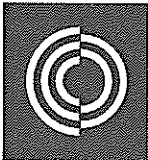
RGS

Technical data-Supply and exhaust air

Dimensioning table with accessories 4, 6 and 7

B dimension: 225 mm

325x225 0,056 m ²	q: 300 m ³ /h - 83 l/s l _{0,2} : 6,0 m				q: 400 m ³ /h - 111 l/s l _{0,2} : 8,5 m				q: 500 m ³ /h - 139 l/s l _{0,2} : 10,0 m				q: 600 m ³ /h - 167 l/s l _{0,2} : 11,5 m				q: 700 m ³ /h - 194 l/s l _{0,2} : 13,0 m			
	v _k -m/s				v _k -m/s				v _k -m/s				v _k -m/s				v _k -m/s			
	100%		50%		100%		50%		100%		50%		100%		50%		100%		50%	
	p _t		L _W		p _t		L _W		p _t		L _W		p _t		L _W		p _t		L _W	
425x225 0,074 m ²	q: 400 m ³ /h - 111 l/s l _{0,2} : 7,5 m				q: 500 m ³ /h - 139 l/s l _{0,2} : 9,0 m				q: 600 m ³ /h - 167 l/s l _{0,2} : 11,0 m				q: 700 m ³ /h - 194 l/s l _{0,2} : 11,5 m				q: 800 m ³ /h - 222 l/s l _{0,2} : 13,0 m			
	v _k -m/s				v _k -m/s				v _k -m/s				v _k -m/s				v _k -m/s			
	100%		50%		100%		50%		100%		50%		100%		50%		100%		50%	
	p _t		L _W		p _t		L _W		p _t		L _W		p _t		L _W		p _t		L _W	
525x225 0,093 m ²	q: 500 m ³ /h - 139 l/s l _{0,2} : 8,0 m				q: 600 m ³ /h - 167 l/s l _{0,2} : 9,5 m				q: 700 m ³ /h - 194 l/s l _{0,2} : 10,5 m				q: 800 m ³ /h - 222 l/s l _{0,2} : 12,0 m				q: 1000 m ³ /h - 278 l/s l _{0,2} : 14,0 m			
	v _k -m/s				v _k -m/s				v _k -m/s				v _k -m/s				v _k -m/s			
	100%		50%		100%		50%		100%		50%		100%		50%		100%		50%	
	p _t		L _W		p _t		L _W		p _t		L _W		p _t		L _W		p _t		L _W	
625x225 0,112 m ²	q: 600 m ³ /h - 167 l/s l _{0,2} : 9,0 m				q: 700 m ³ /h - 194 l/s l _{0,2} : 10,0 m				q: 800 m ³ /h - 222 l/s l _{0,2} : 11,0 m				q: 1000 m ³ /h - 278 l/s l _{0,2} : 13,0 m				q: 1200 m ³ /h - 333 l/s l _{0,2} : 15,0 m			
	v _k -m/s				v _k -m/s				v _k -m/s				v _k -m/s				v _k -m/s			
	100%		50%		100%		50%		100%		50%		100%		50%		100%		50%	
	p _t		L _W		p _t		L _W		p _t		L _W		p _t		L _W		p _t		L _W	
825x225 0,148 m ²	q: 800 m ³ /h - 222 l/s l _{0,2} : 9,5 m				q: 1000 m ³ /h - 278 l/s l _{0,2} : 11,5 m				q: 1200 m ³ /h - 333 l/s l _{0,2} : 13,0 m				q: 1400 m ³ /h - 389 l/s l _{0,2} : 15,0 m				q: 1600 m ³ /h - 444 l/s l _{0,2} : 17,0 m			
	v _k -m/s				v _k -m/s				v _k -m/s				v _k -m/s				v _k -m/s			
	100%		50%		100%		50%		100%		50%		100%		50%		100%		50%	
	p _t		L _W		p _t		L _W		p _t		L _W		p _t		L _W		p _t		L _W	
1025x225 0,186 m ²	q: 1000 m ³ /h - 278 l/s l _{0,2} : 11,0 m				q: 1200 m ³ /h - 333 l/s l _{0,2} : 12,0 m				q: 1400 m ³ /h - 389 l/s l _{0,2} : 13,5 m				q: 1600 m ³ /h - 444 l/s l _{0,2} : 15,0 m				q: 1800 m ³ /h - 500 l/s l _{0,2} : 17,0 m			
	v _k -m/s				v _k -m/s				v _k -m/s				v _k -m/s				v _k -m/s			
	100%		50%		100%		50%		100%		50%		100%		50%		100%		50%	
	p _t		L _W		p _t		L _W		p _t		L _W		p _t		L _W		p _t		L _W	
1225x225 0,224 m ²	q: 1200 m ³ /h - 333 l/s l _{0,2} : 11,0 m				q: 1400 m ³ /h - 389 l/s l _{0,2} : 12,0 m				q: 1600 m ³ /h - 444 l/s l _{0,2} : 14,0 m				q: 1800 m ³ /h - 500 l/s l _{0,2} : 15,5 m				q: 2000 m ³ /h - 556 l/s l _{0,2} : 17,0 m			
	v _k -m/s				v _k -m/s				v _k -m/s				v _k -m/s				v _k -m/s			
	100%		50%		100%		50%		100%		50%		100%		50%		100%		50%	
	p _t		L _W		p _t		L _W		p _t		L _W		p _t		L _W		p _t		L _W	



Good Thinking

At Lindab, good thinking is a philosophy that guides us in everything we do. We have made it our mission to create a healthy indoor climate – and to simplify the construction of sustainable buildings. We do that by designing innovative products and solutions that are easy to use, as well as offering efficient availability and logistics. We are also working on ways to reduce our impact on our environment and climate. We do that by developing methods to produce our solutions using a minimum of energy and natural resources, and by reducing negative effects on the environment. We use steel in our products. It's one of few materials that can be recycled an infinite number of times without losing any of its properties. That means less carbon emissions in nature and less energy wasted.

We simplify construction

GÉPKÖNYV

Projekt megnevezése:

Konzol-2000 Kft.

Budapest, Kisgömb u. Táncház (Duna Művészegyüttes)

Légkezelő RA-M9-4H ZAP (LK-1)

Munkaszám: 21433

**A projekt megnevezése:**

Konzol-2000 Kft.

Budapest, Kiscsőmb u. Táncház (Duna Művészegyüttes)

Légkezelő RA-M9-4H ZAP (LK-1)

Munkaszám: 21433

Konzol-2000 Kft.

Budapest, Kiscsőmb u. Táncház (Duna Művészegyüttes)

Légkezelő RA-M9-4H ZAP (LK-1)

Munkaszám: 21433

Készült: 1 db

Kivétel: Beltéri, festett RAL9003 (fehér)

Panelvastagság: 30mm (MW)

Kezelési oldal, csatlakozások: JOBB

Magasság: 525 (465) mm

Alapkeret: --- (nélkül!)

Súly: ~445 kg

TARTALOMJEGYZÉK

Elemlista	3. oldal
Műszaki adatok	4. oldal
A légkezelő műszaki rajza	6. oldal
<u>Mellékletek:</u>	
1.) Lemezes hővisszanyerő adatlapja	7. oldal
2.) Ventilátor adatlapja (Befúvó oldal)	8. oldal
3.) Fűtőregiszter adatlapja	10. oldal
4.) Ventilátor adatlapja (Elszívó oldal)	11. oldal
5.) Definíciók a karbantartási táblázathoz	13. oldal
6.) Karbantartási lista	14. oldal
7.) Telepítési-beüzemelési utasítás	19. oldal
8.) CE Gyártóműi nyilatkozat	24. oldal
9.) EG Megfelelőségi tanúsítvány	25. oldal





A projekt megnevezése:

Konzol-2000 Kft.

Budapest, Kisgömb u. Táncház (Duna Művészegyüttes)

Légkezelő RA-M9-4H ZAP (LK-1)

Munkaszám: 21433

ELEMLISTA

BEFÚVÁS		
Mennyiség	Megnevezés	Típus
1	Szűrő M5	592x490x48 mm
1	Szűrő M5	287x490x48 mm
1	Lemezes hővisszanyerő	REC+39-1605-30-BY345-14-B
1	Ventilátor	2x GR25C6ID.BD.CR
1	Fűtőregiszter	HW-BR.G-2.8-790-380-1R-2-Cu0,35-AI0,15-AMg3-1-Cu 1/2"-E1-4-R-0
1	Szűrő F7	592x490x48 mm
1	Szűrő F7	287x490x48 mm
ELSZÍVÁS		
1	Szűrő M5	592x490x48 mm
1	Szűrő M5	287x490x48 mm
1	Ventilátor	2x GR25C6ID.BD.CR





A projekt megnevezése:

Konzol-2000 Kft.
Budapest, Kisgömb u. Táncház (Duna Művészegyüttes)
Légkezelő RA-M9-4H ZAP (LK-1)
Munkaszám: 21433

MŰSZAKI ADATOK

BEFŰVÁS		
	V (m3/h)	2 700
Szűrő	ePM10	>50% (M5)
592x490x48 mm	db	1
287x490x48 mm	db	1
dp légoldali kezd.	Pa	37
dp légoldali kalk.	Pa	119
dp légoldali vég.	Pa	200
Lemezes hővisszanyerő	REC+39-1605-30-BY345-14-B	
Teljesítmény	kW	27,4
t lev be	°C / %	-15 / 90
t lev ki	°C / %	15,2
dp légoldali	Pa	131
hatásfok	%	86,3
Ventilátor	2x GR25C6ID.BD.CR	
Légmennyiség	m3/h	2 700
dp ext	Pa	300
dp stat	Pa	710
Motor (EC)	kW	2x0,78
Név.fesz.	V	1~ 230 /50Hz
Névl.ford.	1/min	3 600
Ventilátor fordulatszám	%n	85
SFP-oszt. / érték	kWs/m3	(2) / 1,240
Fűtőregiszter	HW-BR.G-2.8-790-380-1R-2-Cu0,35-AI0,15-AIMg3-1-Cu 1/2"-E1-4-R-0	
Teljesítmény	kW	9,9
t lev be	°C / %	11 / 12
t lev ki	°C / %	22
dp légoldali	Pa	18
Víz	°C	70 / 55
V hidr.	m3/h	0,58
dp hidr.	kPa	5,3
Szűrő	ePM1	>50% (F7)
592x490x48 mm	db	1
287x490x48 mm	db	1
dp légoldali kezd.	Pa	74
dp légoldali kalk.	Pa	137
dp légoldali vég.	Pa	200



Radel & Hahn Klimatechnik GmbH
A-7210 Mattersburg, Wienerstrasse 22.
Tel.: 0043 (0) 2626 62744
Fax: 0043 (0) 2626 65259
✉ office@radel-hahn.at
www.radel-hahn.at
www.radel-hahn.com



Radel & Hahn Zrt.
H-4028 Debrecen, Kassai út 92.
Tel.: 0036-52/448-441
Fax: 0036-52/415-258
✉ info@radel-hahn.hu
www.radel-hahn.hu



A projekt megnevezése:

Konzol-2000 Kft.
Budapest, Kisgömb u. Táncház (Duna Művészegyüttes)
Légkezelő RA-M9-4H ZAP (LK-1)
Munkaszám: 21433

ELSZÍVÁS		
	V (m3/h)	2 700
Szűrő	ePM10	>50% (M5)
592x490x48 mm	db	1
287x490x48 mm	db	1
dp légoldali kezd.	Pa	37
dp légoldali kalk.	Pa	94
dp légoldali vég.	Pa	150
Lemezes hővisszanyerő	REC+39-1605-30-BY345-14-B	
Teljesítmény	kW	27,4
t lev be	°C / %	20 / 50
t lev ki	°C / %	-0,5
dp légoldali	Pa	149
Ventilátor	2x GR25C6ID.BD.CR	
Légmennyiség	m3/h	2 700
dp ext	Pa	300
dp stat	Pa	550
Motor (EC)	kW	2x0,78
Név.fesz.	V	1~ 230 /50Hz
Név.ford.	l/min	3 600
Ventilátor fordulatszám	%n	77
SFP-oszt. / érték	kWs/m3	(2) / 0,961



Radel & Hahn Klimatechnik GmbH
A-7210 Mattersburg, Wienerstrasse 22.
Tel.: 0043 (0) 2626 62744
Fax: 0043 (0) 2626 65259
✉ office@radel-hahn.at
www.radel-hahn.at
www.radel-hahn.com



Radel & Hahn Zrt.
H-4028 Debrecen, Kassai út 92.
Tel.: 0036-52/448-441
Fax: 0036-52/415-258
✉ info@radel-hahn.hu
www.radel-hahn.hu

Project: Bp. Kisgömb u. Táncáz - LK-1
 Offer Nr.: 21433
 Customer: Társ-95
 Address:
 Country:
 Contact person:
 Tel., Email:

RESULT OF EXCHANGE

SELECTED TYPE OF EXCHANGER

REC+39-1605-30-BY345-14-B

INLET CONDITIONS

Standard airflow
 Actual airflow
 Temperature in front of heat exchanger
 Relative humidity in front of heat exchanger
 Absolute humidity in front of heat exchanger
 Face air velocity
 Mass flow
 Enthalpy in front of heat exchanger
 Condensation temperature

	Supply	Exhaust
m ³ /h	2700	2700
m ³ /h	2379,2	2711,8
°C	-15	20
%	90	50
g/kg	1,1	7,3
m/s	1,6	1,9
kg/h	3251,1	3251,1
kJ/kg	-12,4	38,5
°C	-16,3	9,3

OUTLET CONDITIONS

Standard pressure drop
 Pressure drop
 Actual airflow
 Temperature behind heat exchanger
 Relative humidity behind heat exchanger
 Absolute humidity behind heat exchanger
 Face air velocity
 Enthalpy behind heat exchangers
 Temperature efficiency
 Temperature efficiency dry
 Recuperation power
 Condensation
 NEP

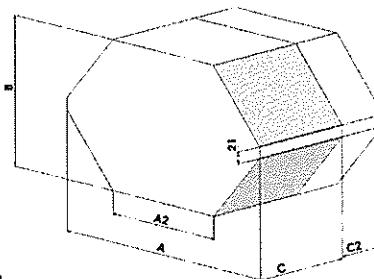
Pa	130,35	148,81
Pa	-	-
m ³ /h	2657,6	2522,3
°C	15,2	-0,5
%	9,9	95,6
g/kg	1,1	3,5
m/s	1,8	1,7
kJ/kg	17,9	8,2
%	86,3	-
%	76,3	-
kW	27,4	27,4
l/h	0	12,2
W	26549	

THE BAROMETRIC PRESSURE USED 101325 Pa
 ALTITUDE 0 m
 WEIGHT 33,19 kg

DIMENSION

A = 619 mm A2 = 246 mm
 B = 394 mm
 C = 1605 mm
 C2 = 345 mm

Application Rating is outside the scope of the AHRI ERV Certification Program but is rated in accordance with AHRI Standard 1060.

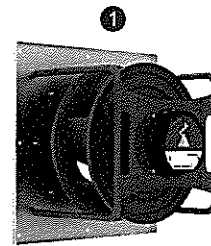


FANselect

ventilátor adatok

2021. 08. 18.

verzió FANselect V 1.01 (210817), AMCA V 1.03 February, 2019 / 1.21.08.17 | 36365 | (felhasználó ZAFS26365)



típus	GR25C-6ID.BD.CR
cikkszám	115666/A01 Portfolio STD-VWV
arrangement	Multiple Fans arrangement 2 [1 1]

technikai adatok

motor	ECblue
Efficiency class	IE4
hálózat	- 1~ 230V 50Hz
környezeti hőmérséklet (t_r)	°C 40
hatékonyság η_{statA}	% 67,8
efficiency grade N_{actual} N_{target}	79,4 62
ErP osztály	2015 EC controller integrated
grille influence	nem

ventilátor adatok

SFP-osztály SFP-érték (P_{SFP})	- Ws/m^3	3 1240
légmennyiség (q_v)	m^3/h	2700
air velocity	m/s	6,11
nyomás, stat. (p_{sF}) teljes (p_F)	Pa	710 732
a rendszer elektromos teljesítmény felvétele (P_{sys})	W	930
rendszer hat., stat. ($\eta_{sF,sys}$) teljes ($\eta_{F,sys}$)	%	57,2 59,0
sebesség (n) max. (n_{max})	1/min	3053 3600
ventilátor fordulatszám, célérték (% n_{max})	%	85
frekvencia (f_{BP}) (f_{max})	Hz	50 60
feszültség a munkapontban (U_{DP})	V	230
áramerősség a munkapontban (I_{DP})	A	4,13
akusztika, szívó oldal ($L_{w(A),s}$) ($L_{w,s}$)	dB	79 85
akusztika, nyomott oldal ($L_{w(A),e}$) ($L_{w,e}$)	dB	81 85
méreték (sz x m x m)	mm	375 x 375 x 283
súly (m_{pr})	kg	11
k-faktor szívókúp nyomás (k)	-	60
különbségi nyomás kúp ($p_{sF, kúp}$)	Pa	506
beépítési méret figyelembe vétele (Sz x Ma x Mé)	mm	930 x 465 x 0
housing/impeller	-	1,8

névleges értékek

2 x (nominal values for one fan)
 1~ 200-277V 50Hz P1 0.78kW
 4.00-2.90A 3600/MIN 40°C
 1~ 200-277V 60Hz P1 0.78kW
 4.00-2.90A 3600/MIN 40°C
 IP54 THCL155

PF:PF_50; BR:BR_38; Mult.Fan.2; q_v :2700 m^3/h ; p_s :710 Pa; mains:1~ / 230V / 50 Hz; t_r :20 °C; OpMode:VSD; MTech:ECblue; MRes:10 %; ρ :1,16 kg/m^3 ; STol:+10 %; BF: BxHxT:930mmx465mmx

FANselect

jelleggörbe / akusztika

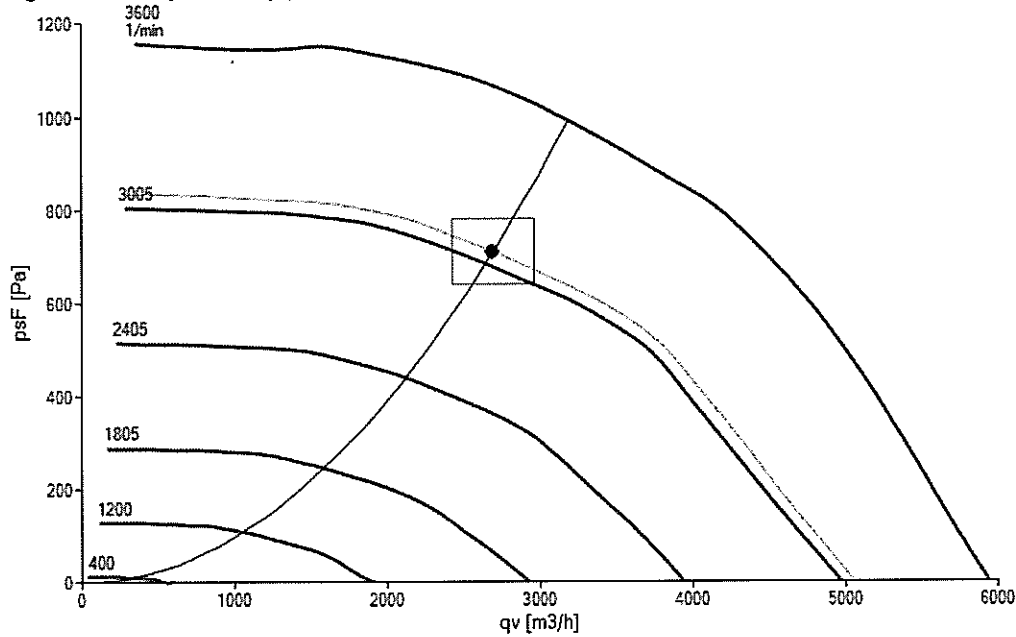
2021. 08. 18.

verzió FANselect V 1.01 (210817), AMCA V 1.03 February, 2019 / 1.21.08.17 | 36365 | (felhasználó ZAFS26365)

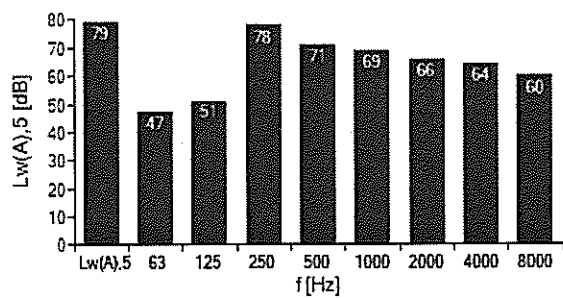
1 GR25C-6ID.BD.CR
 115666/A01 | Portfolio
 STD-WWV | Multiple Fan 2 [1|1]

mért érték normál szívókúppal az "A" felépítési formában az ISO 5801 norma szerint Számított beépítési veszteségek
 mérési sűrűség 1.16 [kg/m³]

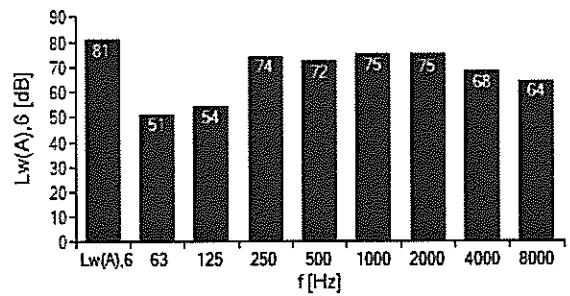
légszállítási teljesítmény p_{sF}



hangteljesítmény szívó oldalon (A súlyozott) ($L_{w(A),5}$)



hangteljesítmény nyomó oldalon (A súlyozott) ($L_{w(A),6}$)



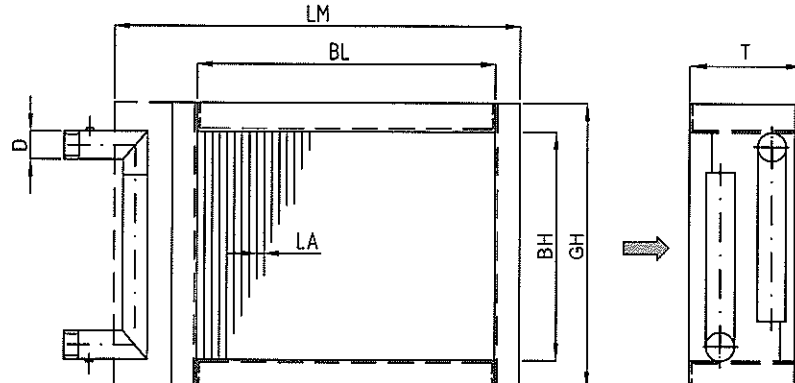
1 GR25C-6ID.BD.CR									
f [Hz]	sum	63	125	250	500	1000	2000	4000	8000
$L_{w(A),5}$	79	47	51	78	71	69	66	64	60
$L_{w,5}$	85	74	68	84	74	69	65	63	61

f [Hz]	sum	63	125	250	500	1000	2000	4000	8000
$L_{w(A),6}$	81	51	54	74	72	75	75	68	64
$L_{w,6}$	85	79	70	81	76	75	74	67	66

Offer **A21-0589a**
Date 01.09.2021
Delivery 5 - 6 Weeks
Validity 3 months
Notes

Customer Radel&Hahn zrt
Inquiry 21433, Mrs. Bajczura

301A62F

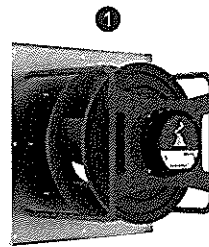
Heater		HW-BR.G-2.8-790-380-1R-2-Cu0,35-Al0,15-AlMg3-1-Cu 1/2"-E1-4-R-0		
Capacity	kW	9,934		
Surface reserve	%	10,975		
Surface present	m ²	6,606		
Surface required	m ²	5,953		
Heat transfer coefficient	W/m ² K	36,753		
Mean temp. difference	K	45,405		
Air (Fouling: 5e-5 m2K/W)		Inlet	Outlet	Definition
Height above sea level	m			0,000
Pressure	hPa			1 013,250
Temperature	°C	11,000	22,000	20,000
Relative humidity	%	12,000	5,970	40,000
Abs. humidity	g/kg	0,968	0,968	
Density	kg/m ³	1,241	1,195	
Enthalpy	J/kg	13 510,004	24 602,581	
Volume flow humid	m ³ /h	2 599,927	2 700,572	2 703,000
Mass flow dry	kg/h	3 224,087	3 224,087	
Velocity	m/s	2,406	2,499	
Pressure drop dry	Pa		11,485	
Water (Fouling: 5e-5 m2K/W) Freez. temp. 0°C		Inlet	Outlet	Medium
Temperature	°C	70,000	55,000	62,500
Density	kg/m ³	977,762	985,686	981,886
Specific heat	J/kgK	4 190,048	4 181,736	4 185,515
Heat conductivity	W/mK	0,663	0,649	0,657
Viscosity	Pas	4,041e-004	5,041e-004	4,495e-004
Volume flow	m ³ /h	0,583	0,578	0,580
Velocity (tubes / collectors)	m/s			0,657 / 0,805
Pressure drop	kPa			4,621
Technical Data				
Volume	l	1,320	Frame	AlMg3
Weight	kg	5,200	Frame width	LM 912 mm
Tubes		Cu1/2"-0,35	Frame height	GH 450 mm
Fins		Al-0,15	Frame depth	T 100 mm
Collectors		1xCu DN15 1/2"	Fin width	BL 790 mm
Collectors position		Straight	Fin height	BH 380 mm
Joint		Brass nipple	Fin depth	BT 32 mm
912:450:100:50:72:0:50:-:342:63:5:44:5:1:-----:1				
				

FANselect

ventilátor adatok

2021. 08. 18.

verzió FANselect V 1,01 (210817), AMCA V 1.03 February, 2019 / 1.21.08.17 | 36365 | (felhasználó ZAFS26365)



ípus	GR25C-6ID.BD.CR
cikkszám	115666/A01 Portfolio STD-VWV
arrangement	Multiple Fans arrangement 2 [1 1]

technikai adatok

motor	ECblue
Efficiency class	IE4
hálózat	-
környezeti hőmérséklet (t_a)	°C
hatékonyság η_{statA}	%
efficiency grade $N_{\text{actual}} N_{\text{target}}$	79,4 62
ErP osztály	2015 EC controller integrated
grille influence	nem

ventilátor adatok

SFP-osztály SFP-érték (P_{SFP})	- Ws/m^3	3 961
légmennyiség (q_v)	m^3/h	2700
air velocity	m/s	6.11
nyomás, stat. (p_{sF}) teljes (p_{F})	Pa	550 572
a rendszer elektromos teljesítmény felvétele (P_{sys})	W	721
rendszer hat., stat. ($\eta_{\text{sF,sys}}$) teljes ($\eta_{\text{F,sys}}$)	%	57.2 59.5
sebesség (n) max. (n_{max})	1/min	2770 3600
ventilátor fordulatszám, célérték ($\%n_{\text{max}}$)	%	77
frekvencia (f_{BP}) (f_{max})	Hz	50 60
feszültség a munkapontban (U_{DP})	V	230
áramerősség a munkapontban (I_{DP})	A	3.21
akusztika, szívó oldal ($L_{\text{w(A),s}}$) ($L_{\text{w,s}}$)	dB	73 78
akusztika, nyomott oldal ($L_{\text{w(A),s}}$) ($L_{\text{w,s}}$)	dB	78 81
méretek (sz x m x m)	mm	375 x 375 x 283
súly (m_{pr})	kg	11
k-faktor szívókúp nyomás (k)	-	60
különbségi nyomás kúp ($p_{\text{sF kúp}}$)	Pa	506
beépítési méret figyelembe vétele (Sz x Ma x Mé)	mm	930 x 465 x 0
housing/impeller	-	1.8

névleges értékek

2 x (nominal values for one fan)
 1~ 200-277V 50Hz P1 0.78kW
 4.00-2.90A 3600/MIN 40°C
 1~ 200-277V 60Hz P1 0.78kW
 4.00-2.90A 3600/MIN 40°C
 IP54 THCL155

PF:PF_50; BR:BR_38; Mult.Fan:2; q_v :2700 m^3/h ; p_s :550 Pa; mains:1~ / 230V / 50 Hz; t_a :20 °C; OpMode:VSD; MTech:ECblue; MRes:10 %; ρ :1.16 kg/m^3 ; STol:±10 %; BF: BxHxT:930mmx465mmx

FANselect

jelleggörbe / akusztika

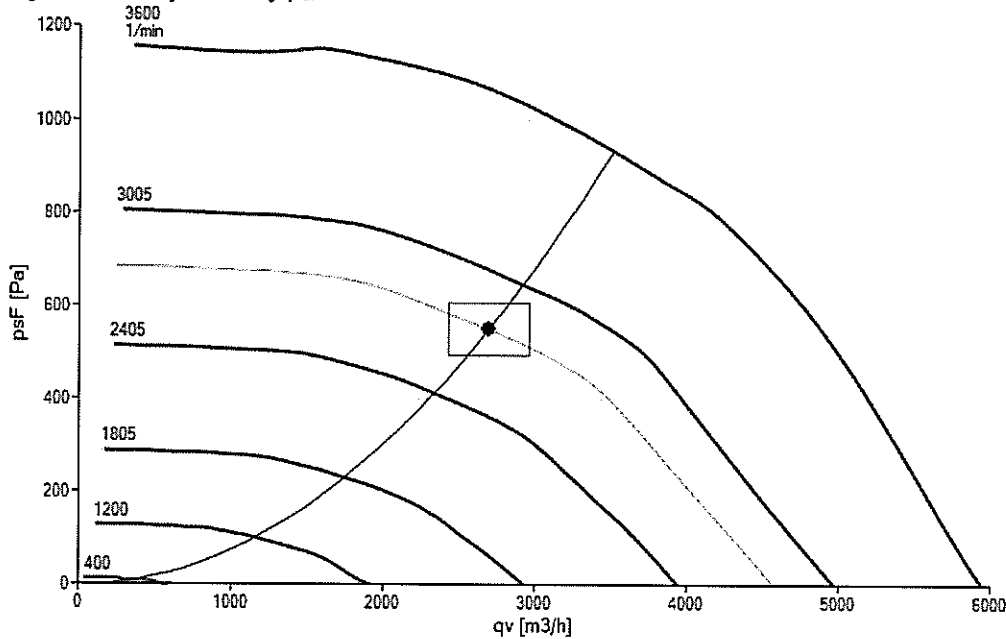
2021. 08. 18.

verzió FANselect V 1.01 (210817), AMCA V 1.03 February, 2019 / 1.21.08.17 | 36365 | (felhasználó ZAFS26365)

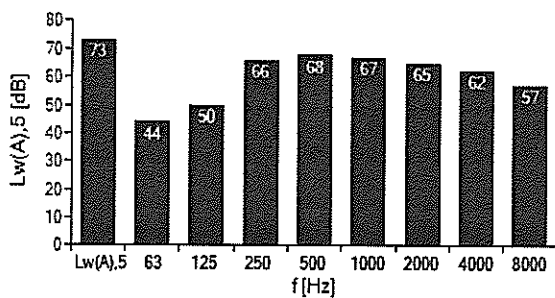
1 GR25C-6ID.BD.CR
 115666/A01 | Portfolio
 STD-VWV | Multiple Fan 2 [1|1]

mért érték normál szívókúppal az "A" felépítési formában az ISO 5801 norma szerint Számított beépítési veszteségek
 mérési sűrűség 1.16 [kg/m³]

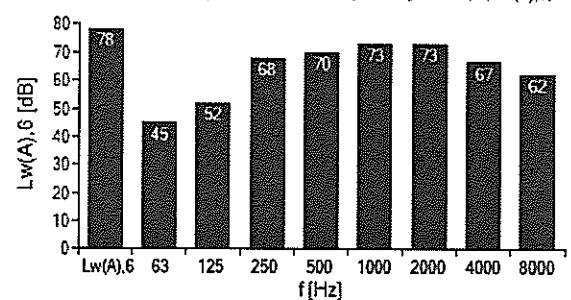
légszállítási teljesítmény p_{sF}



hangteljesítmény szívó oldalon (A súlyozott) ($L_{w(A),5}$)



hangteljesítmény nyomó oldalon (A súlyozott) ($L_{w(A),6}$)



1 GR25C-6ID.BD.CR									
f [Hz]	sum	63	125	250	500	1000	2000	4000	8000
$L_{w(A),5}$	73	44	50	66	68	67	65	62	57
$L_{w,5}$	78	70	66	73	70	67	64	61	58

f [Hz]	sum	63	125	250	500	1000	2000	4000	8000
$L_{w(A),6}$	78	45	52	68	70	73	73	67	62
$L_{w,6}$	81	71	68	75	73	73	72	66	64

Definíciók a karbantartási táblázathoz

A bal oszloptól kezdődően:

Pozíciószám, az elvégzendő karbantartási munkák, milyen karbantartási megállapodásnál kell elvégezni, a következő 4 oszlopba lehet bejegyezni az elvégzett munkákat dátummal.

Definíciók karbantartási megállapodáshoz:

1. Karbantartás tisztítás nélkül

- Az összes gép és berendezésrész alapos átvizsgálása az működés, az állapot és a biztonság szempontjából.
- A mechanikusan mozgó részek megolajozása és után igazítása

2. Karbantartás és tisztítás

- Az összes gép és berendezésrész alapos átvizsgálása az működés, az állapot és a biztonság szempontjából.
- A mechanikusan mozgó részek megolajozása és után igazítása
- A biztonságos működéshez szükséges tisztítások elvégzése.

3. Ellenőrzés

Ez magába foglalja az összes készülék és berendezésrész működésének és teljesítményének ellenőrzését, egy ellenőrzési beszámoló készítését, és a berendezés általános helyzetének megítélését.

4. Teljes karbantartás

A teljes karbantartás az alábbiakat foglalja magába:

a) Hibabejelentő szolgálat

Egy berendezés vagy berendezés részének működésében keletkezett kisebb hibák elhárítása, a megbízó kérésére a megbízott szokásos munkaidején belül. Az ehhez szükséges személyzetet a megbízó sikeres hibabejelentését követő 2 napon belül rendelkezésre bocsátjuk.

b) Rendbehozatal

A hibák kijavítása illetve a gyorsan kopó alkatrészek kicserélése, a berendezés kívánt állapotának visszaállítása. Az ehhez szükséges személyzetet a hiba bejelentése után rendelkezésre bocsátjuk. A hiba kijavítása egyidejűleg a karbantartással megtörténhet.

Alkatrészek:

- a) A berendezés rendbehozatalához szükséges anyagokat és alkatrészeket a megbízott kérése szerint a megbízó költségmentesen biztosítja
- b) vagy az alkatrészeket kiszámlázás ellenében beszerzi a megbízott, kivéve szűrők, ékszíjak és kisebb anyagok.
- c) Karbantartás és tisztítás
- d) Ellenőrzés



Karbantartási munkák				Karbantartás tisztítás nélkül	Karbantartás tisztítással	Inspekció	Komplett karbantartás	Éves intervallum	Munkavégzés	Munkavégzés	Munkavégzés	Munkavégzés
Nr.	Nr.	Nr.	Nr.						Dátum	Dátum	Dátum	Dátum
1				Ventilátor	1	1	1					
1	1			Ventilátor ház	1	1	1					
1	1	1		a ház és járókerék állapotának (károsodás, kosz, rozsdá) ellenőrzése	1	1	1	4				
1	1	2		ház és járókerék tisztítása		1	1	2				
1	1	3		ház és járókerék festése			1	1				
1	1	4		rezgécscillapító ellenőrzése (működés, állapot)	1	1	1	4				
1	1	5		a flexibilis összekötések tömítettségének ellenőrzése	1	1	1	4				
1	2			Csapágy	1	1	1					
1	2	1		zajsínt ellenőrzés	1	1	1	4				
1	2	2		csapágy kiszerelese, tisztítása, utánolajozása			1	1				
1	2	3		csapágy kicserélése			1	1				
1	3			Szíjhajtás	1	1	1					
1	3	1		az ékszíj megfelelő feszességének ellenőrzése	1	1	1	4				
1	3	2		ékszíjat utánfeszíteni és a morort egy síkba hozni	1	1	1	2				
1	3	3		az ékszíj ellenőrzése (szakadás, törés)	1	1	1	4				
1	3	4		ékszíj csere			1	1				
1	4			Meghajtó motor	1	1	1					
1	4	1		a motort a gyártó előírásának megfelelően utánolajozni	1	1	1	1				
1	4	2		Motor ellenőrzése (nyugott járás, koszlerakódás)	1	1	1	2				
1	4	3		Motor tisztítása		1	1	1				
1	4	4		áramfelvétel mérése, motor védőkapcsoló műk.ellenőrzése			1	2				
1	4	5		motorvetérlés működésének ellenőrzése	1	1	1	2				
1	4	6		az egyes kapcsolófokozatok működésének ellenőrzése	1	1	1	2				
1	4	7		Csapágy az 1.2 szerint	1	1	1	1				
1	6			teljesítménymérés, mérési jegyzőkönyv készítése			1	1				
2				Hőcserélő	1	1	1					
2	1			légfűtő,- hűtőregiszter közeg: folyadék, gőz	1	1	1					
2	1	1		levegőoldali hőcserélő koszoságát ellenőrizni	1	1	1	2				
2	1	2		regiszter ellenőrzése (külső sérülések, különös tekintettel a rozsdára)	1	1	1	2				
2	1	3		előremenő-, és visszatérő működésének ellenőrzése	1	1	1	1				
2	1	4		a lamellákról és a házról a koszlerakódást eltávolítása		1	1	1				
2	1	5		a rozsdás helyek tisztítása, festése			1	2				
2	1	6		szennyfogó ellenőrzése (koszlerakódás)	1	1	1	1				
2	1	7		szennyfogó kiszerelese, tisztítása		1	1	2				
2	1	8		kondenzvízlefolyás ellenőrzése	1	1	1	1				
2	1	9		kondenzvízlefolyó tisztítása		1	1	1				
2	1	10		cseppleválasztó lamellák ellenőrzése (koszoság)	1	1	1	1				
2	1	11		cseppleválasztó lamellák tisztítása		1	1	1				



Nr	Nr	Nr	Nr	Karbantartási munkák	Karbantartás tisztítás nélkül	Karbantartás tisztítással	Inspekció	Komplet karbantartás	Éves intervallum	Munkavégzés	Munkavégzés	Munkavégzés	Munkavégzés
										Dátum	Dátum	Dátum	Dátum
2	1	12		teljesítmény mérése, mérési jegyzőkönyv készítése			1		1				
2	2			Keringtető szivattyú	1	1	1	1	2				
2	2	1		szivattyú ellenőrzése (nyugott járás, tömítőszelece szigeteltsége)	1	1		1	1				
2	2	2		tömítőszelece utánfeszítés	1	1		1	1				
2	2	3		szivattyú szétszerelése, tisztítása				1	1				
2	2	4		meghajtómotor Nr.:1.4 szerint	1	1	1	1	1				
2	2	5		csapágy az 1.2 szerint	1	1	1	1	1				
2	3			Csőhálózat	1	1	1	1	2				
2	3	1		vizállás a hűtő- és fűtőrendszerben, beépített manométer ellenőrzése (szigetelés, működés)	1	1	1	1	1				
2	3	2		a közeget az előírt nyomásig utántölteni	1	1		1	1				
2	3	3		rugalmas összeköttetések (kompenzátor) ellenőrzése (feszesség, működés)	1	1		1	1				
2	3	4		a tolózáron és szelepen a tömítőszelece szigetelésének ellenőrzése	1	1		1	1				
2	3	5		tömítőszelece utántöltése	1	1		1	1				
2	3	6		tolózár kiszérése, tisztítása				1	1				
2	4			Elektromos fűtőregiszter	1	1	1	1					
2	4	1		Fűtőregiszter ellenőrzése (salak, korrózió)	1	1		1	1				
2	4	2		fűtőregiszter teljesítményének ellenőrzése, áramfelvétel feljegyzése	1	1	1	1	1				
2	4	3		beépített biztonsági részek működésének ellenőrzése	1	1		1	2				
2	4	4		fűtőcsövek tisztítása salaktól, kosztól		1		1	1				
2	4	5		ház tisztítása, festése				1	1				
2	4	6		teljesítmény mérése, mérési jegyzőkönyv készítése			1		1				
2	5			Direktelpárologtató	1	1	1	1					
2	5	1		levegőoldali cserélő ellenőrzése (elkoszolódás)	1	1	1	1	2				
2	5	2		regiszter ellenőrzése (külső sérülés, rozsdásodás)	1	1		1	2				
2	5	3		a lamellákra és a házra lerakódott kosz eltávolítása)		1		1	2				
2	5	4		rozsdás helyek tisztítása, festése				1	1				
2	5	5		kondenzvízlefolyó működésének ellenőrzése	1	1		1	2				
2	5	6		kondenzvízlefolyó tisztítása		1		1	1				
2	5	7		cseppleválasztó lamellák koszolódásának ellenőrzése	1	1		1	2				
2	5	8		cseppleválasztó lamellák tisztítása		1		1	1				
2	5	9		teljesítménymérés, mérési jegyzőkönyv készítése			1		1				
2	6			Regeneratív hőcserélő	1	1	1	1					
2	6	1		levegőoldali cserélő koszolódásának ellenőrzése	1	1	1	1	4				
2	6	2		register ellenőrzése (külső sérülések, rozsdásodás)	1	1		1	2				
2	6	3		a lamellákról és házról a koszlerakódás eltávolítása		1		1	2				
2	6	4		rozsdás helyek tisztítása, festése				1	1				
2	6	5		kondenzvízlefolyás ellenőrzése	1	1		1	2				



Karbantartási munkák				Karbantartás (tisztítás nélkül)	Karbantartás (tisztítással)	inspekció	Komplett karbantartás	Éves intervallum	Munkavégzés	Munkavégzés	Munkavégzés	Munkavégzés
Nr	Nr	Nr	Nr						Dátum	Dátum	Dátum	Dátum
2	6	6		kondenzvízlefolyó tisztítása		1	1	2				
2	6	7		meghajtómotor Nr.: 1.4 szerint	1	1	1	1				
2	6	8		teljesítménymérés, mérési jegyzőkönyv készítése			1	2				
3				Levegőszűrő	1	1	1	1				
3	2			Táskás szűrő (tisztítható vagy eldobható) ¹	1	1	1	1				
3	2	1		koszoldási fok ellenőrzése	1	1	1	4				
3	2	2		szűrő tisztítása		1	1	4				
3	2	3		szűrő csere	1	1	1	4				
3	2	4		szűrő ellenőrzése (tömítettség)	1	1	1	2				
3	2	5		nyomáskülönbség feljegyzése			1	2				
3	2	6		szűrőkamra és ház tisztítása		1	1	1				
3	2	7		mérőberendezés ellenőrzése (tisztaság, folyadékállás)	1	1	1	2				
3	3			Elektrosztatikusan ható szűrő	1	1	1	1				
3	3	1		elkoszoldási fok ellenőrzése	1	1	1	4				
3	3	2		szűrő tisztítás a gyártó előírása szerint		1	1	1				
3	3	3		ionizációs drótok sérülésének ellenőrzése	1	1	1	4				
3	3	4		hibás drótok kicserélése			1	1				
3	3	5		szigetelőszilárdságának ellenőrzése	1	1	1	2				
3	3	6		szigetelő csere			1	1				
3	3	7		légnedvesítő működésének ellenőrzése	1	1	1	2				
3	3	8		légnedvesítő tisztítása		1	1	1				
3	4			Hepa szűrő	1	1	1	1				
3	3	1		koszossági szint ellenőrzése	1	1	1	4				
3	3	2		szűrő ellenállóképességének feljegyzése	1	1	1	2				
3	3	3		szűrőkeret és betét szigetelésének ellenőrzése	1	1	1	2				
3	3	4		szűrőelemek ellenőrzése (jól rögzített-e)			1	2				
3	3	5		ragasztófolia sérüléseinek ellenőrzése	1	1	1	2				
3	3	6		szűrőbetét csere			1	4				
3	3	6		csere az előre megadott nyomáskülönbségnek megfelelően, extra szűrőknél (kórház) a csere az illetékes labor megítélése alapján			1	2				
4				Légnedvesítő								
4	2			gőzölővel	1	1	1	1				
4	2	1		vízszűrő tisztaságának ellenőrzése	1	1	1	2				
4	2	2		mágnesszelep működésének ellenőrzése	1	1	1	4				
4	2	3		gőz és vízporlasztók működésének ellenőrzése	1	1	1	4				
4	2	4		gőztartály elkoszoldásának ellenőrzése	1	1	1	4				
4	2	5		vízszint ellenőrzése a tartályokban	1	1	1	4				
4	2	6		áramfelvétel mérése, feljegyzése (teljesítménymérés)			1	2				
4	2	7		elektr.kapcs. a gőztartálynál, rozsdásodás vizsgálat	1	1	1	1				
4	2	8		gőzelosztó, lefolyó működésének ellenőrzése	1	1	1	2				
4	2	9		gőzvezeték szigetelésének ellenőrzése	1	1	1	2				
4	2	10		vízvezetékek szigeteltségének ellenőrzése	1	1	1	2				
4	2	11		vízszűrő kicserélése, tisztítása		1	1	2				
4	2	12		vízszűrő csere			1	1				



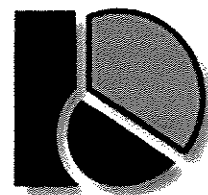
Karbantartási munkák				Karbantartás tisztítás nélküli	Karbantartás tisztítással	Inspekció	Komplett karbantartás	Eves intervallum	Munkavégzés	Munkavégzés	Munkavégzés	Munkavégzés
Nr	Nr	Nr	Nr						Dátum	Dátum	Dátum	Dátum
4	2	13		mágnesszelep tisztítása		1	1	1				
4	2	14		mágnesszelep csere			1	1				
4	2	15		víz és gőzporlasztók tisztítása		1	1	1				
4	2	16		gőzhenger (cilinder) tisztítása		1	1	1				
4	2	17		gőzhenger (cilinder) csere			1	1				
4	2	18		az összes vezetérendszer tisztítása		1	1	1				
4	2	19		biztonsági és kapcsolóberendezés működésének ellenőrzése	1	1	1	2				
5												
				Építési elemek levegőelosztáshoz								
5	1			Külső ill. távozó levegőáteresztés								
5	1	1		levegő be-, és kilépő nyílásának ellenőrzése (tisztaság, állapot)	1	1	1	2				
5	1	2		Külső ill. távozó levegőáteresztő tisztítása		1	1	1				
				Zsaluborda								
5	2	1		működetésnél funkciók ellenőrzése	1	1	1	2				
5	2	2		részek rögzítettsége, működése	1	1	1	2				
5	2	3		csapágy tisztaságát ellenőrizni	1	1	1	1				
5	2	4		a csapágyat és a rudazatot utánaolajozni, hacsak nem műanyag	1	1	1	1				
5	2	5		bordák tisztítása		1	1	1				
				Tűzvédelmi csappantyú								
5	3	1		csappantyúállás ellenőrzése	1	1	1	1				
5	3	2		végkapcsoló működésének ellenőrzése	1	1	1	1				
5	3	3		opt. Mutatók működésének ellenőrzése	1	1	1	1				
5	3	4		állítómű vagy tartómagnes működésének ellenőrzése	1	1	1	1				
5	3	5		rudazat működésének ellenőrzése	1	1	1	1				
5	3	6		kioldóelem ellenőrzése	1	1	1	1				
5	3	7		kioldóelem csere		1	1	1				
				Kamra, légcsonna								
5	4	1		a kamraajtók záródásának, szigetelésének ellenőrzése	1	1	1	2				
5	4	2		ajtózsanérok, zárok olajozása	1	1	1	1				
5	4	3		a kamra ellenőrzése (lerakódás, állapot)	1	1	1	2				
5	4	4		a kamra tisztítása		1	1	1				
5	4	5		a kamra részeinek tisztítása, festése		1	1	1				
5	4	6		lefolyó ellenőrzése (működés, lerakódás)	1	1	1	2				
5	4	7		lefolyó tisztítása		1	1	1				
5	4	8		légcsonna tisztaságának ellenőrzése	1	1	1	1				
5	4	9		légcsonna tisztítása		1	1	1				
				Légáteresztés								
5	5	1		légáteresztés ellenőrzése (koszlerakódás)	1	1	1	4				
5	5	2		légáteresztő tisztítása		1	1	2				
5	5	3		térfogatáram mérése, feljegyzése az egyes elosztó csatornákon			1	1				
				Keverőkamra								
5	6	1		keverőkamra szigetelésének ellenőrzése	1	1	1	1				
5	6	2		térfogatszabályozó működésének ellenőrzése	1	1	1	2				
5	6	3		térfogatszabályozó lengéscsillapítójának cseréje	1	1	1	1				



				Karbantartási munkák									
Nr	Nr	Nr	Nr	Karbantartás tisztítás nélkül	Karbantartás tisztítással	Inspekcio	Komplett karbantartás	Éves intervallium	Munkavégzés	Munkavégzés	Munkavégzés	Munkavégzés	
									Dátum	Dátum	Dátum	Dátum	
5	6	4		keverőkamra csappantyújának ellenőrzése	1		1	2					
5	6	5		térfogatáram mérése és feljegyzése (nagyobbberendezéseknél szűrőpróba szerűen)	1		1	2					

radel & hahn zrt.

H-4028 Debrecen, Kassai út 92.



TELEPÍTÉSI-BEÜZEMELÉSI UTASÍTÁS

Radel & Hahn Gyártmányú valamennyi elemes légkezelő
berendezéshez

A készülék típusjele: M -széria

Gyártó: **Radel & Hahn Zrt.**
H-4028 Debrecen Kassai u 92
Tel.: + 36-52-448-441
Fax.: +36-52-415-258

1.) Jogi deklaráció

Tilos ezt a gépkönyvet és mellékleteit harmadik fél részére sokszorosítani, átadni vagy publikálni.

A berendezés garanciális feltételeit az érvényes szállítási szerződésünk tartalmazza.

2.) Műszaki leírás

A légkezelő berendezés műszaki adatait (Pl.: befoglaló mértetek, cső/lamella adatok, bordaosztás, levegő oldali hőátadó-felület, ventilátor) az átadott műszaki készülék adatlap tartalmazza.

A légkezelő a kiválasztási adatlap által körülírt paraméterekkel és a megrendelő által megadott rendeltetésre készült. Más rendeltetéssel, más műszaki paraméterekkel csak a felhasználó felelősségére vagy a gyártó előzetes írásos beleegyezésével használható a készülék. A megadott teljesítmény az ott közölt paraméterekkel érvényes és a légkezelő berendezés kívül-belül teljesen tiszta állapotához tartozik.

Itt hívjuk fel a figyelmet arra, hogy az alkalmas készülék kiválasztásához rendszerint egyszerűbb esetekben is a megoldandó feladat minden körülményének ismerete szükséges.

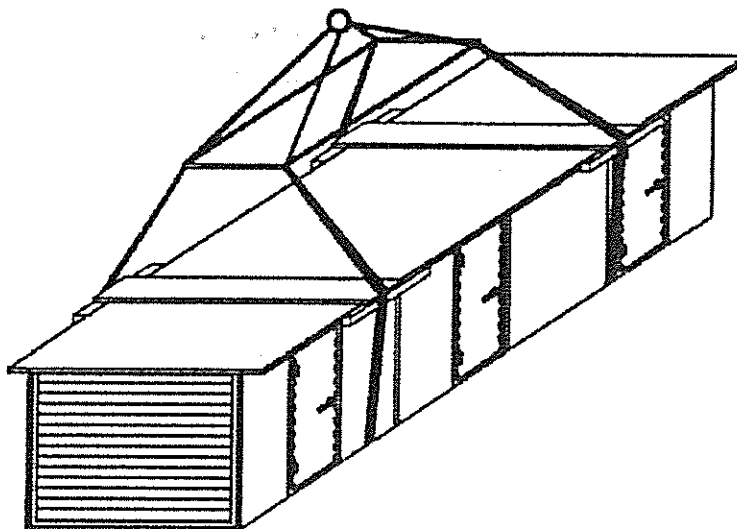
3.) Szállítás és kicsomagolás

Amikor a készülék a szerelés helyszínére érkezik, ellenőrizni kell a szállítmány épségét. Ha akár a csomagoláson, akár magán a készüléken sérülés látható, arról jegyzőkönyvet kell készíteni.

A szállítmány sérült voltát, a szállítónak be kell jelenteni!

4.) Üzembe helyezés:

A készülék emelése a szállítótalpaknál aláfogva vagy a gyárilag elkészített emelőfüleknél fogva történhet-



A készülék úgy telepítendő, hogy a levegő szabad be- és kiáramlása ne legyen akadályozva és ne keletkezzen a levegő oldalon „rövidzár”.

A nyomástartó részek (hőcserélők) hermetikusan lezárva kerülnek szállításra. A csatlakozó csomók záró sapkáinak eltávolítása előtt az esetleges túlnyomást a töltőszelep kinyitásával el kell engedni, de ezt a műveletet csak közvetlenül a készülék csőoldali bekötése előtt szabad végrehajtani, hogy a készülékbe víz, szennyezés ne kerüljön.

A készülék hidraulikai, gáz, és elektromos bekötése a szakmai normáknak és előírásoknak megfelelően készült terv alapján, szakkivitelező közreműködésével történjen.

A bekötési tervnek, illetve a rendelésnek tartalmaznia kell.

- a hőcserélő üritésének, víztelenítésének, légtelenítésének, leszívásának, kiszáritásának, tisztításának, feltöltésének módját és lehetőségét.
- A ventilátor, a szabályzó automatika elemek, gázégő elektromos bekötésének módját.
- A gázfogyasztó gázoldali bekötésének módját.
- Az égéstermék elvezetés elvezetésének módját.

A készülék gyárilag gondosan kitesztálva kerül szállításra, de vigyázni kell arra, hogy a rákötések során/után se kerülhessen belé szennyeződés

A légkezelőt üzembe helyezése előtt a vele összekapcsolt hidraulikai rendszerrel, és/vagy gázrendszerrel együtt is nyomáspróba alá kell vetni, majd ki kell tisztítani a szakmai normák szerint.

Az üzemeltetési, illetve a következő fejezetben közölt útmutatások feltételezik a vásárló részéről azokat a szakmai alapismereteket, illetve azon szakképesítés meglétét, amely az adott készülék közvetlen használójától hatósági előírásokból, jogszabályokból következően elvárható. Így különösen feltételezi az útmutató, hogy az üzemeltető az alkalmazási terület általános és szakmai balesetelhárítási, tűzrendészeti és egyéb biztonsági előírásait ismeri.

Az üzembe helyezésnél és a karbantartásnál az alábbi feladatokat feltétlenül el kell végezni, a garancia megtartása miatt:

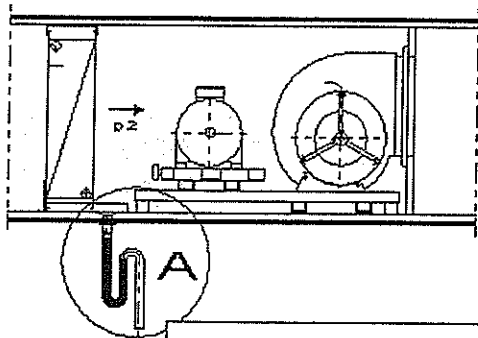
Szűrők:

- A differenciál nyomásmérőn be kell állítani a szűrők végellenállását.
- A szűrők megfelelő felfekvését, és a szűrőkeret biztonságos rászorítását ellenőrizni kell.

Hőcserélő egység:

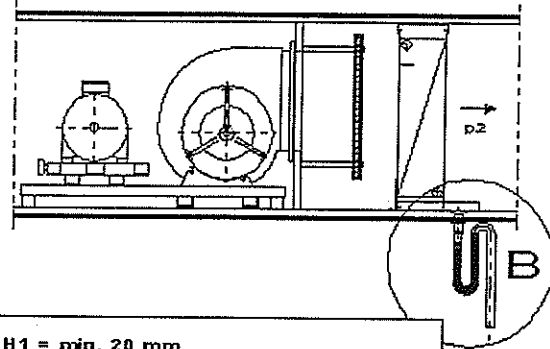
- A csatlakozási pontoknál ellenőrizni kell a csatlakozások, légtelenítők tömítettségét. A fagyvédő termosztátot be kell állítani 5-8C közé.
- A fagyvédő megfelelő működését jegyzőkönyvvel igazolni kell.
- A kondenz szifonokat ellenőrizni kell. A feltöltési magasságot a fajlagos nyomáseséshez igazítani kell.

4



$$H1 = p2 \text{ (mmWS)} + \text{min. } 30 \text{ mm}$$

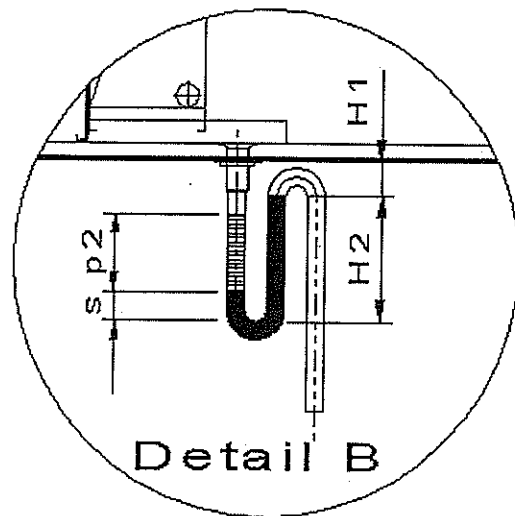
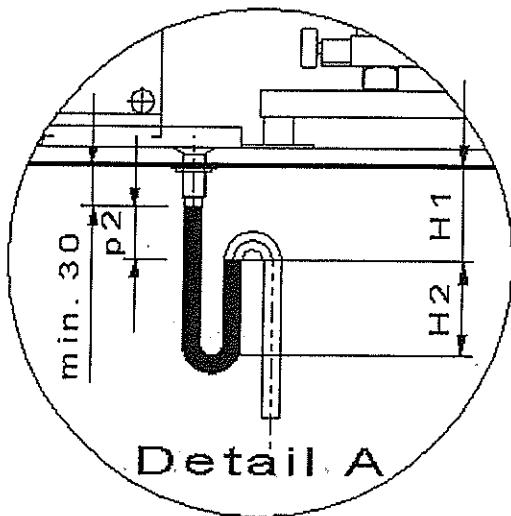
$$H2 = H1$$



$$H1 = \text{min. } 20 \text{ mm}$$

$$H2 = p2 \text{ (mmWS)} + \text{min } 30 \text{ mm}$$

$$s = \text{Eizáromagasság} + \text{elpárolgási tartalék}$$



Zsaluk:

- A Zsaluk könnyű járását és teljes zárását ellenőrizni kell.
- Az állítókart, és a gömbcsuklót utána kell húzni.
- A zsaluállító motor rögzítését, zárását ellenőrizni kell

Ventilátor egység:

- A rezgésmentes futást ellenőrizni kell
- A forgásirányt ellenőrizni kell.
- A ventilátor felfüggesztését, a rezgéscsillapítót ellenőrizni kell.
- A csapágyak hangját mentközben is ellenőrizni kell.

5.) Kezelés és karbantartás

A légkezelő működtetési módját, szabályozását, a vele összekapcsolt rendszer egészének szabályozása határozza meg. Ennek leírását a légkezelő automatika fejezet tartalmazza (amennyiben a Radel&Hahn Zrt szállította).

A karbantartás gyakoriságát a Radel & Hahn Zrt. által kiadott „Karbantartási Táblázat” dokumentum tartalmazza, de néhány dologra itt is részletesen kitérünk:

Rendszeres ellenőrzésre szorul a hőcserélő regiszter, és a szűrők tisztasága. A környezeti por- és más légszennyezés függvényében legalább 3 havonként, de szükség szerint ennél is gyakrabban meg kell nézni a hőcserélő blokk levegő-belépő oldalát.

A szűrőket az eltömődés esetén cserélni kell. Ezt üzem közben a készülék oldalába épített Magnehelic típusú nyomásmérők jelzik.

A hőcserélő takarítás sűrített levegő vagy hidegvíz-sugárral történjen, forró víz vagy gőzsugár alkalmazása elkerülendő. A tisztító lég-, illetve vízsugarat lehetőleg a légárammal ellentétes irányból kell a hőcserélő blokkra irányítani.

Tilos tisztítani olyan agresszív tisztítószerrel, amely a hőcserélő blokk anyagát megtámadja!

Ha a hőcserélő nyomástartó vagy rögzítő részei korrózióznak, erózióznak, fárasztó igénybevételnek vannak kitéve, akkor az üzembentartó felelősségi körébe tartozik a műszaki állapot, a szilárdság folyamatos ellenőrzése, a készülék kellő időben történő javítása, illetve cseréje.

Ha nem kellően fagyálló hűtőközeg töltet (Pl.: víz) található a hőcserélőben, akkor a fagyásveszély elkerülése végett a hőcserélőt a téli üzem alatt teljesen le kell üríteni.

A gáztüzelésű berendezéseket PCH modulokkal láttuk el. Ezek üzemeltetését, karbantartását a mellékelt PCH gépkönyv tartalmazza. A készülékek karbantartását csak gázipari szerviz jogosítvánnyal ellátott szakszerviz végezheti. Garanciális időszakban javasoljuk a beüzemelő céggel a karbantartásokat elvégeztetni.

Zsaluk: A Zsaluk könnyű járását és teljes zárását ellenőrizni kell. Az állítókart, és a gömbcsuklót utána kell húzni. A zsaluállító motor rögzítését, zárását ellenőrizni kell

Ventilátor egység: A rezgésmentes futást ellenőrizni kell. A forgásirányt ellenőrizni kell. A ventilátor felfüggesztését, a rezgéscsillapítót ellenőrizni kell. A csapágyak hangját mentközben is ellenőrizni kell.

6.) Üzemeltetési napló

A készülékhez kapcsolódóan javasoljuk üzemeltetési napló vezetését, itt az észlelt rendellenességeket, eseményeket, az elvégzett javítások, átalakítások mibenlétét, időpontját, stb. célszerű rendszeresen feljegyezni.

A Radel & Hahn Zrt. köszönettel fogad minden a gyártmányaira vonatkozó, üzemi tapasztalatokon nyugvó észrevételt, javaslatot, az esetleges panaszokat pedig garanciális kötelezettségein túlmenően is kivizsgálja.



Project: Bp. Kisgömb u. Táncház – LK-1
 Offer Nr.: 21433
 Customer: Társ-95
 Address:
 Country:
 Contact person:
 Tel., Email:

RESULT OF EXCHANGE

SELECTED TYPE OF EXCHANGER

REC+39-1605-30-BY345-14-B

INLET CONDITIONS

Standard airflow
 Actual airflow
 Temperature in front of heat exchanger
 Relative humidity in front of heat exchanger
 Absolute humidity in front of heat exchanger
 Face air velocity
 Mass flow
 Enthalpy in front of heat exchanger
 Condensation temperature

	Supply	Exhaust
m3/h	2700	2700
m3/h	2379,2	2711,8
°C	-15	20
%	90	50
g/kg	1,1	7,3
m/s	1,6	1,9
kg/h	3251,1	3251,1
kJ/kg	-12,4	38,5
°C	-18,3	9,3

OUTLET CONDITIONS

Standard pressure drop
 Pressure drop
 Actual airflow
 Temperature behind heat exchanger
 Relative humidity behind heat exchanger
 Absolute humidity behind heat exchanger
 Face air velocity
 Enthalpy behind heat exchangers
 Temperature efficiency
 Temperature efficiency dry
 Recuperation power
 Condensation
 NEP

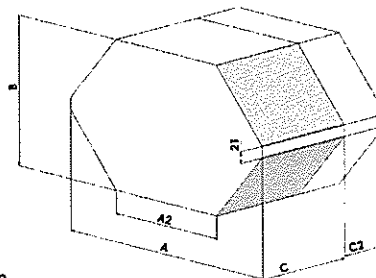
Pa	130,35	148,81
Pa	-	-
m3/h	2657,6	2522,3
°C	15,2	-0,5
%	9,9	95,6
g/kg	1,1	3,5
m/s	1,8	1,7
kJ/kg	17,9	8,2
%	86,3	-
%	76,3	-
kW	27,4	27,4
l/h	0	12,2
W	26549	

THE BAROMETRIC PRESSURE USED 101325 Pa
ALTITUDE 0 m
WEIGHT 33,19 kg

DIMENSION

A = 619 mm **A2 = 246 mm**
B = 394 mm
C = 1605 mm
C2 = 345 mm

Application Rating is outside the scope of the AHRI ERV Certification Program but is rated in accordance with AHRI Standard 1060.



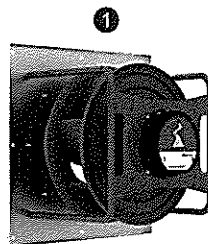


FANselect

ventilátor adatok

2021. 08. 18.

verzió FANselect V 1.01 (210817), AMCA V 1.03 February, 2019 / 1.21.08.17 | 36365 | (felhasználó ZAFS26365)



típus	GR25C-6ID.BD.CR
cikkszám	115666/A01 Portfolio STD-WW
arrangement	Multiple Fans arrangement 2 [1 1]

technikai adatok

motor	ECblue
Efficiency class	IE4
hálózat	-
környezeti hőmérséklet (t_a)	°C
hatékonyság η_{statA}	%
efficiency grade N_{actual} N_{target}	79,4 62
ErP osztály	2015 EC controller integrated
grille influence	nem

ventilátor adatok

SFP-osztály SFP-érték (P_{SFP})	- Ws/m^3	3 1240
légmennyiség (q_v)	m^3/h	2700
air velocity	m/s	6.11
nyomás, stat. (p_{SF}) teljes (p_F)	Pa	710 732
a rendszer elektromos teljesítmény felvétele (P_{sys})	W	930
rendszer hat., stat. ($\eta_{SF,sys}$) teljes ($\eta_{F,sys}$)	%	57.2 59.0
sebesség (n) max. (n_{max})	1/min	3053 3600
ventilátor fordulatszám, célérték (% n_{max})	%	85
frekvencia (f_{BF}) (f_{max})	Hz	50 60
feszültség a munkapontban (U_{DP})	V	230
áramerősség a munkapontban (I_{DP})	A	4.13
akusztika, szívó oldal ($L_{w(A),s}$) ($L_{w,s}$)	dB	79 85
akusztika, nyomott oldal ($L_{w(A),e}$) ($L_{w,e}$)	dB	81 85
méretek (sz x m x m)	mm	375 x 375 x 283
súly (m_{pr})	kg	11
k-faktor szivókúp nyomás (k)	-	60
különbségi nyomás kúp ($p_{SF\ kúp}$)	Pa	506
beépítési méret figyelembe vétele (Sz x Ma x Mé)	mm	930 x 465 x 0
housing/impeller	-	1.8

névleges értékek

2 x (nominal values for one fan)
 1~ 200-277V 50Hz P1 0.78kW
 4.00-2.90A 3600/MIN 40°C
 1~ 200-277V 60Hz P1 0.78kW
 4.00-2.90A 3600/MIN 40°C
 IP54 THCL155

PF:PF_50, BR:BR_38, Mult.Fan:2, q_v:2700 m³/h, p_F:710 Pa, mains:1~ / 230V / 50 Hz, t_a:20 °C, OpMode:VSD, MTech:ECblue, MRes:10 %, p:1.16 kg/m³, STot:+10 %, BF: BxHxT:930mmx465mmx

FANselect

jelleggörbe / akusztika

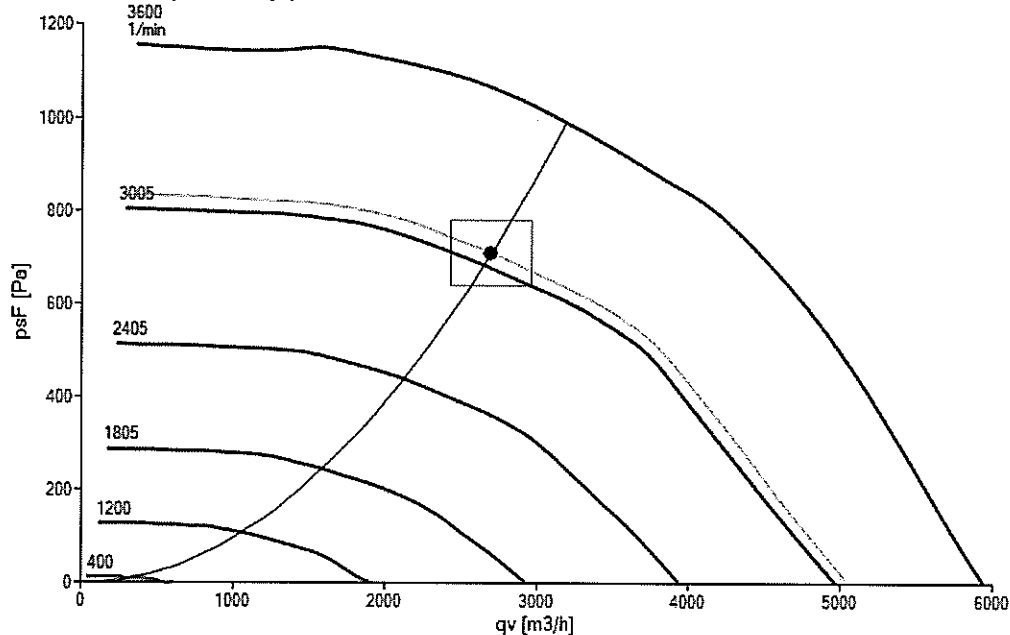
2021. 08. 18.

verzió FANselect V 1.01 (210817), AMCA V 1.03 February, 2019 / 1.21.08.17 | 36365 | (felhasználó ZAFS26365)

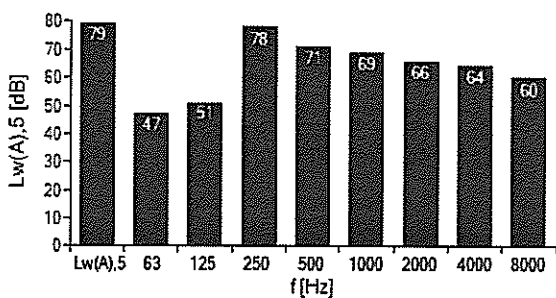
1 GR25C-6ID.BD.CR
 115666/A01 | Portfolio
 STD-WWV | Multiple Fan 2 [1|1]

mért érték normál szívókúppal az "A" felépítési formában az ISO 5801 norma szerint Számított beépítési veszteségek
 mérési sűrűség 1.16 [kg/m³]

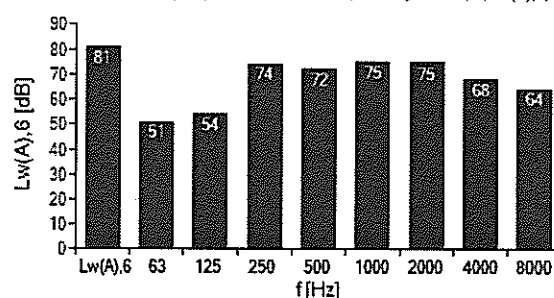
légszállítási teljesítmény p_{sF}



hangteljesítmény szívó oldalon (A súlyozott) ($L_{w(A),5}$)



hangteljesítmény nyomó oldalon (A súlyozott) ($L_{w(A),6}$)



1 GR25C-6ID.BD.CR									
f [Hz]	sum	63	125	250	500	1000	2000	4000	8000
$L_{w(A),5}$	79	47	51	78	71	69	66	64	60
$L_{w,5}$	85	74	68	84	74	69	65	63	61

f [Hz]	sum	63	125	250	500	1000	2000	4000	8000
$L_{w(A),6}$	81	51	54	74	72	75	75	68	64
$L_{w,6}$	85	79	70	81	76	75	74	67	66

Offer **A21-0589a**

Customer **Radel&Hahn zrt**

301A62F

Date **01.09.2021**

Inquiry **21433, Mrs. Bajczura**

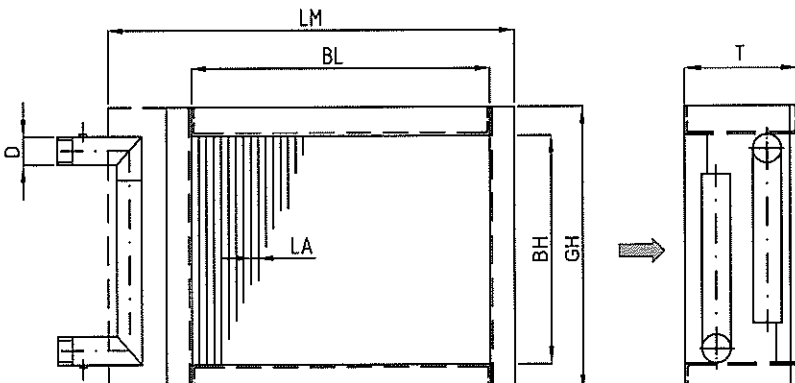
Delivery **5 - 6 Weeks**

Validity **3 months**

Notes

Heater HW-BR.G-2.8-790-380-1R-2-Cu0,35-Al0,15-AlMg3-1-Cu 1/2"-E1-4-R-0				
Capacity	kW			9,934
Surface reserve	%			10,975
Surface present	m ²			6,606
Surface required	m ²			5,953
Heat transfer coefficient	W/m ² K			36,753
Mean temp. difference	K			45,405
Air (Fouling: 5e-5 m2K/W)				
		Inlet	Outlet	Definition
Height above sea level	m			0,000
Pressure	hPa			1 013,250
Temperature	°C	11,000	22,000	20,000
Relative humidity	%	12,000	5,970	40,000
Abs. humidity	g/kg	0,968	0,968	
Density	kg/m ³	1,241	1,195	
Enthalpy	J/kg	13 510,004	24 602,581	
Volume flow humid	m ³ /h	2 599,927	2 700,572	2 703,000
Mass flow dry	kg/h	3 224,087	3 224,087	
Velocity	m/s	2,406	2,499	
Pressure drop dry	Pa		11,485	
Water (Fouling: 5e-5 m2K/W) Freez. temp. 0°C				
		Inlet	Outlet	Medium
Temperature	°C	70,000	55,000	62,500
Density	kg/m ³	977,762	985,686	981,886
Specific heat	J/kgK	4 190,048	4 181,736	4 185,515
Heat conductivity	W/mK	0,663	0,649	0,657
Viscosity	Pas	4,041e-004	5,041e-004	4,495e-004
Volume flow	m ³ /h	0,583	0,578	0,580
Velocity (tubes / collectors)	m/s			0,657 / 0,805
Pressure drop	kPa			4,621
Technical Data				
Volume	l	1,320	Frame	AlMg3
Weight	kg	5,200	Frame width	LM 912 mm
Tubes		Cu1/2"-0,35	Frame height	GH 450 mm
Fins		Al-0,15	Frame depth	T 100 mm
Collectors		1xCu DN15 1/2"	Fin width	BL 790 mm
Collectors position		Straight	Fin height	BH 380 mm
Joint		Brass nipple	Fin depth	BT 32 mm

912:450:100:50:72:0:50::342:63.5:44.5:1:::~:~:1



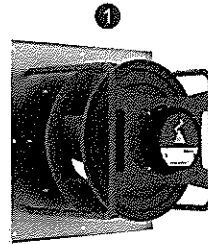


FANselect

ventilátor adatok

2021. 08. 18.

verzió FANselect V 1.01 (210817), AMCA V 1.03 February, 2019 / 1.21.08.17 | 36365 | (felhasználó ZAFS26365)



típus	GR25C-6ID.BD.CR	
cikkszám	115666/A01 Portfolio STD-WW	
arrangement	Multiple Fans arrangement 2 [1 1]	
technikai adatok		
motor	ECblue	
Efficiency class	IE4	
hálózat	-	1~ 230V 50Hz
környezeti hőmérséklet (t_a)	°C	40
hatékonyság η_{statA}	%	67,8
efficiency grade N_{actual} N_{target}	79,4 62	
ErP osztály	2015 EC controller integrated	
grille influence	nem	
ventilátor adatok		
SFP-osztály SFP-érték (P_{SFP})	- Ws/m^3	3 961
légmennyiség (q_v)	m^3/h	2700
air velocity	m/s	6.11
nyomás, stat. (p_{sF}) teljes (p_F)	Pa	550 572
a rendszer elektromos teljesítmény felvétele (P_{sys})	W	721
rendszer hat., stat. ($\eta_{sF,sys}$) teljes ($\eta_{F,sys}$)	%	57.2 59.5
sebesség (n) max. (n_{max})	1/min	2770 3600
ventilátor fordulatszám, célérték (n_{max})	%	77
frekvencia (f_{BP}) (f_{max})	Hz	50 60
feszültség a munkapontban (U_{DP})	V	230
áramerősség a munkapontban (I_{DP})	A	3.21
akusztika, szívó oldal ($L_{w(A),s}$) ($L_{w,s}$)	dB	73 78
akusztika, nyomott oldal ($L_{w(A),e}$) ($L_{w,e}$)	dB	78 81
méret (sz x m x m)	mm	375 x 375 x 283
súly (m_{pr})	kg	11
k-faktor szívókúp nyomás (k)	-	60
különbségi nyomás kúp ($p_{sF,kúp}$)	Pa	506
beépítési méret figyelembe vétele (Sz x Ma x Mé)	mm	930 x 465 x 0
housing/impeller	-	1.8
névleges értékek	2 x (nominal values for one fan) 1~ 200-277V 50Hz P1 0.78kW 4.00-2.90A 3600/MIN 40°C 1~ 200-277V 60Hz P1 0.78kW 4.00-2.90A 3600/MIN 40°C IP54 THCL155	

PF PF_50; BR:BR_38; Mult.Fan.2. q_v:2700 m³/h; p_s:550 Pa; mains:1~ / 230V / 50 Hz; t_a:20 °C; OpMode:VSD; MTech:ECblue; MRes 10 %; p:1.16 kg/m³; STol:±10 %; BF:; BxHxT:930mmx465mmx

FANselect

jelleggörbe / akusztika

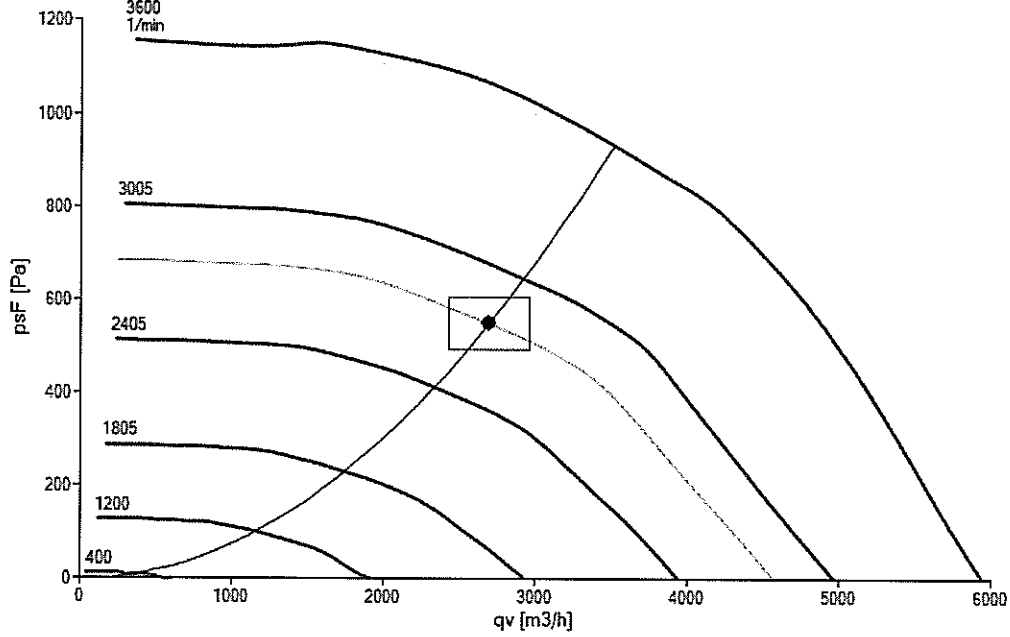
2021. 08. 18.

verzió FANselect V 1.01 (210817), AMCA V 1.03 February, 2019 / 1.21.08.17 | 36365 | (felhasználó ZAFS26365)

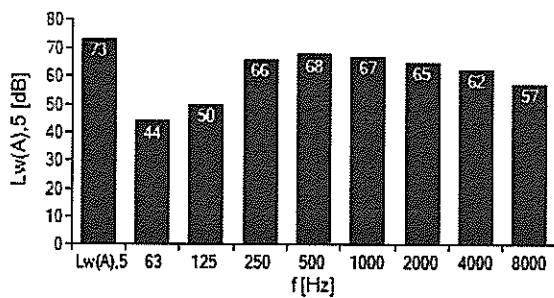
1 GR25C-6ID.BD.CR
 115666/A01 | Portfolio
 STD-VWV | Multiple Fan 2 [1|1]

mért érték normál szívókúppal az "A" felépítési formában az ISO 5801 norma szerint Számított beépítési veszteségek
 mérési sűrűség 1.16 [kg/m³]

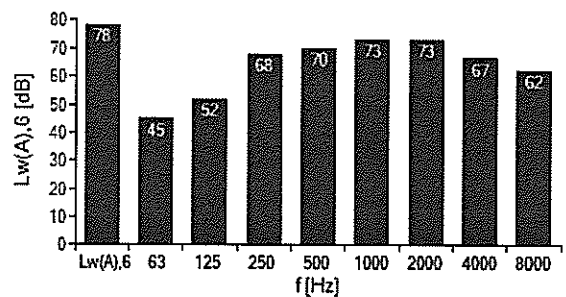
légszállítási teljesítmény p_{sF}



hangteljesítmény szívó oldalon (A súlyozott) ($L_{w(A),5}$)



hangteljesítmény nyomó oldalon (A súlyozott) ($L_{w(A),6}$)

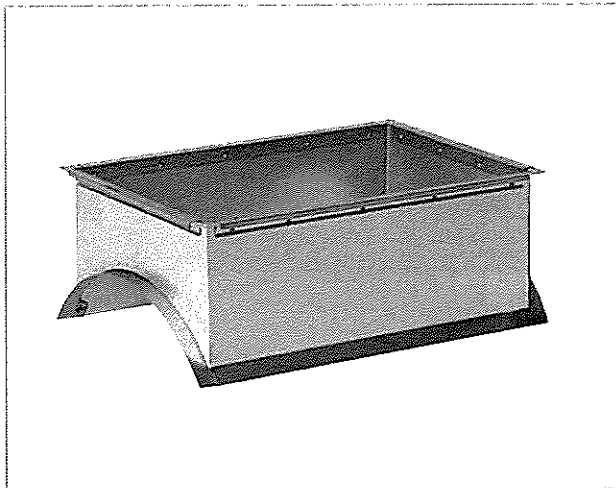


1 GR25C-6ID.BD.CR									
f [Hz]	sum	63	125	250	500	1000	2000	4000	8000
$L_{w(A),5}$	73	44	50	66	68	67	65	62	57
$L_{w,5}$	78	70	66	73	70	67	64	61	58

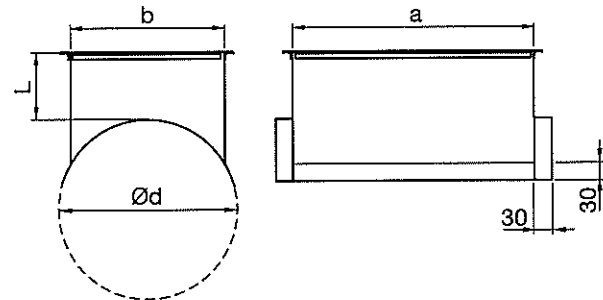
f [Hz]	sum	63	125	250	500	1000	2000	4000	8000
$L_{w(A),6}$	78	45	52	68	70	73	73	67	62
$L_{w,6}$	81	71	68	75	73	73	72	66	64

Légrács felvételére alkalmas idom

LPSR



Méretetek



* Standard: L = 100 mm.

Leírás

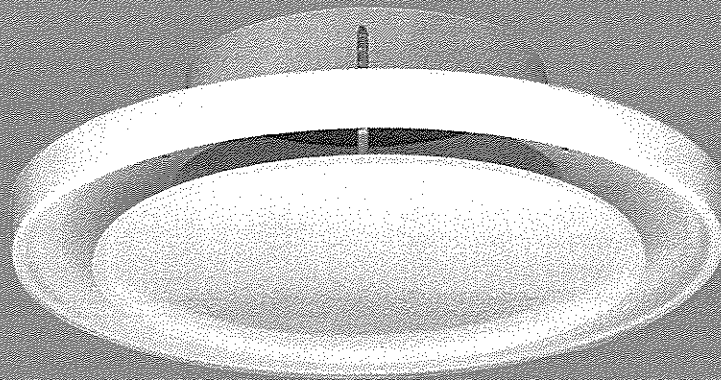
A légrács felvételére alkalmas idom kör keresztmetszetű légcsonnához való csatlakoztatásra. A négyszög keresztmetszetű végén csatlakozó kerettel van ellátva. A lekerekített végén perem található szegeccsel vagy önmetsző csavarral történő rögzítéshez.

Más hosszban is szállítható.

Rendelési minta

	LPSR	600	300	400	100
Termék					
Oldal	a				
Oldal	b				
Átmérő	Ød				
Hossz					





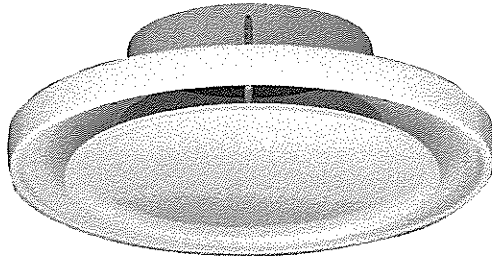
Lindab **CRL**

Plain diffuser



Plain diffuser

CRL



Description

CRL is a circular diffuser with an unperforated adjustable face plate and can be used for both supply and extract air. The diffuser can be switched between horizontal and vertical supply air, and is therefore suitable for the horizontal supply of cooled air or vertical supply of heated air. The CRL can be equipped with accessories of various types in order to achieve optimal function.

Installing a CRL diffuser in a plenum box type MB can help to achieve a stable airflow to the diffuser as well as realise the potential for individual adjustment.

Damper type B is an unique linear cone damper which allows to use the full operational area (0-100%) and allows to balance with a high pressure drop over the box with low sound generation. Furthermore the construction of the damper gives an accurate and reliable measurement.

Damper type C and E are with rotating blade dampers for respectively supply and extract. Typically used in applications that don't require a high balancing pressure in the plenum box.

- Suitable for both supply and extract air.
- Suitable for horizontal or vertical supply air patterns.
- Plenum box with several damper options.

Maintenance

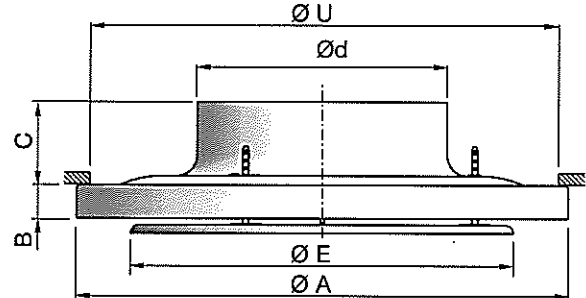
The face plate can be removed to enable cleaning of internal parts or to gain access to the duct or plenum box. The visible parts off the diffuser can be wiped with a damp cloth.

Order code

Product	CRL	aaa
Type	CRL	
Connection dim. Ød	Ød 100-400	

Example: CRL-200

Dimensions

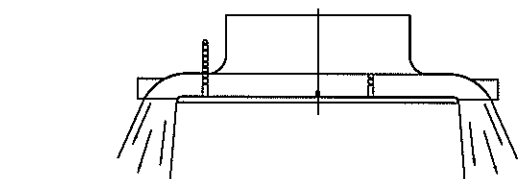


CRL	Ød	ØA	B	C	ØE	ØU*	m
mm	mm	mm	mm	mm	mm	mm	kg
100	188	188	15	60	146	170	0.30
125	238	238	20	65	180	210	0.50
160	288	288	25	65	220	255	0.60
200	388	388	28	72	300	355	1.10
250	488	488	33	82	380	390	1.60
315	588	588	33	97	490	465	2.50
400	720	720	40	100	590	670	3.80

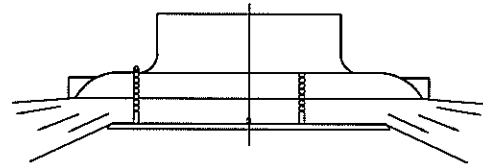
* ØU = Ceiling grid opening

Dispersal patterns

CRL is supplied with vertical supply air as standard. The dispersal pattern can be changed to horizontal supply air by moving the face plate.



Vertical supply air.



Horizontal supply air.

Materials and finish

Grille box:	Aluminium
Face plate:	Galvanised steel
Standard finish:	Powder-coated
Standard colours:	RAL 9003 and RAL 9010, gloss 30.

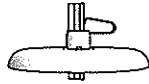
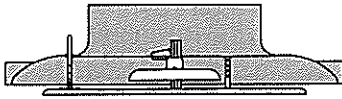
The diffuser is available in other colours. Please contact Lindab's sales department for further information.

Plain diffuser

CRL

Accessories

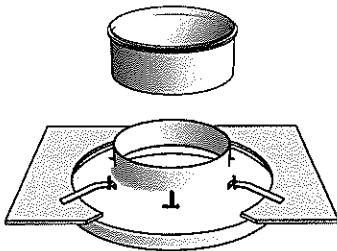
CAZ - Balancing damper



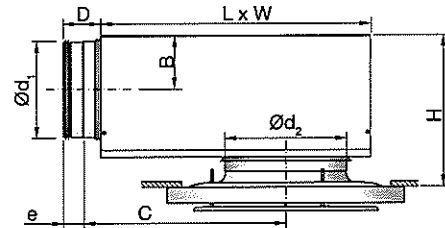
MBZ - Extension piece



DCZ - Mounting brackets (set)



CRL + MB plenum box



Ød ₁	Ød ₂	B	C	D	e	H*	L	W
mm		mm						
100	100	62	245	78	40	175 - 210	310	260
100	125	62	245	78	40	175 - 205	310	260
100	160	62	245	78	40	175 - 205	310	260
125	125	75	291	78	40	200 - 230	376	310
125	160	75	291	78	40	200 - 230	376	310
125	200	75	291	78	40	210 - 245	376	310
160	160	92	352	78	40	235 - 265	459	380
160	200	92	352	78	40	245 - 280	459	380
160	250	92	352	78	40	250 - 290	459	380
200	200	112	425	78	40	285 - 320	565	460
200	250	112	425	78	40	290 - 332	565	460
200	315	112	425	78	40	290 - 345	565	460
250	250	137	514	118	60	340 - 380	698	540
250	315	137	514	118	60	340 - 395	698	540
250	400	137	514	118	60	370 - 400	698	540
315	315	170	675	118	60	405 - 460	858	540
315	400	170	675	118	60	435 - 465	858	540

USING CRL + MBB => ALWAYS USE MBZ

* Using accessory MBZ the H dimension will increase:

Ød₂ = 100 - 200 mm => H +40 mm

Ød₂ = 250 - 315 mm => H +60 mm

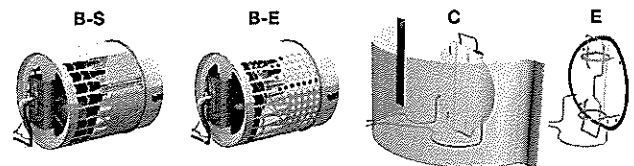
Ød₂ = 400 mm => H +80 mm

Order code - accessories

Product	aaa	bbb
Type		
Size		

Example: CAZ-125

Damper options



Order code

Product	MB	a	bbb	ccc	d
Type	MB				
Damper					
	B = Linear cone damper				
	C = Blade damper supply				
	E = Blade damper extract				
Duct connection Ød ₁					
	Ø100-315				
Diffuser dimension Ød ₂					
	Ø100-400				
Function (Only for B damper)					
	S = Supply air				
	E = Extract				

Example 1: CRL-200+MBB-160-200-S

Example 2: CRL-200+MBC-125-200

Plain diffuser

CRL

Technical data

Following CRL+plenum box data are valid for MBB-S/-E. For MBC and MBE data, go to www.lindQST.com.

Capacity

Air flow q_v [l/s] and [m³/h], total pressure Δp_t [Pa], throw $l_{0,2}$ [m] and sound power level L_{WA} [dB(A)] can be seen in the diagrams.

Frequency-related sound power level

The sound power level in the frequency band is defined as $L_{WA} + K_{ok}$. K_{ok} values are specified in charts beneath the diagrams on the following pages.

Quick selection, supply air

CRL + MBB-S		$\Delta p_t \geq 50$ Pa 30 dB(A)		$\Delta p_t \geq 50$ Pa 35 dB(A)	
duct $\varnothing d_1$	CRL $\varnothing d_2$	l/s	m ³ /h	l/s	m ³ /h
100	100	26	94	31	112
100	125	35	126	42	151
100	160	42	151	50	180
125	125	46	166	54	194
125	160	58	209	68	245
125	200	62	223	75	270
160	160	67	241	81	292
160	200	86	310	105	378
160	250	96	346	121	436
200	200	107	385	127	457
200	250	135	486	160	576
200	315	146	526	177	637
250	250	151	544	183	659
250	315	161	580	215	774
250	400	185	666	252	907
315	315	206	742	263	947
315	400	227	817	309	1112

Sound attenuation

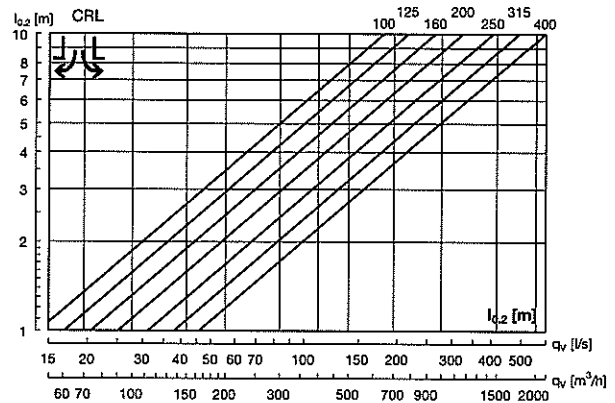
Sound attenuation of the diffuser ΔL from duct to room, including end reflection, see table below.

CRL + MBB-S/-E		Centre frequency Hz							
duct $\varnothing d_1$	CRL $\varnothing d_2$	63	125	250	500	1K	2K	4K	8K
100	100	20	17	7	20	19	20	20	22
100	125	21	16	6	18	19	18	19	21
100	160	21	16	5	15	17	18	18	18
125	125	18	13	7	20	12	19	19	20
125	160	15	14	8	19	12	17	17	19
125	200	14	12	6	16	14	16	17	16
160	160	18	17	10	18	16	18	21	20
160	200	15	14	7	19	17	18	19	19
160	250	15	15	4	15	13	14	16	18
200	200	14	10	7	14	19	16	20	17
200	250	15	9	5	14	19	16	17	16
200	315	13	8	4	11	16	15	16	15
250	250	16	8	7	16	18	18	18	17
250	315	11	7	6	16	17	17	16	16
250	400	15	6	5	10	14	16	15	15
315	315	8	10	9	14	18	18	17	21
315	400	8	8	8	11	16	17	16	19

Throw $l_{0,2}$

The throw is specified at a terminal velocity of 0.2 m/s. Diagram below shows throw $l_{0,2}$ for horizontal supply air.

Correction throw $l_{0,2}$ for vertical supply air



CRL $\varnothing d$	Correction factor
100	3,1
125	2,7
160	2,7
200	2,7
250	2,6
315	2,4
400	2,3

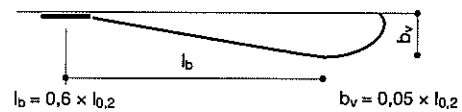
Air jet distribution

l_b = Distance from the diffuser to the point where there is maximum dispersal.

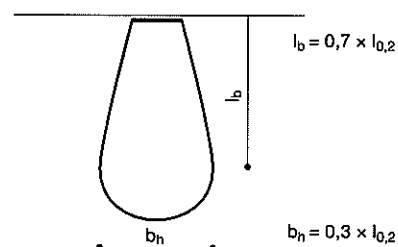
b_v = Depth of the air jet on a vertical plane.

b_h = Width of the air jet on a horizontal plane.

Horizontal supply air pattern



Vertical supply air pattern



Plain diffuser

CRL

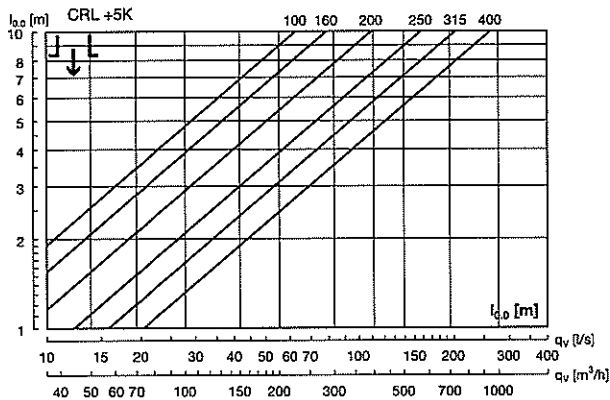
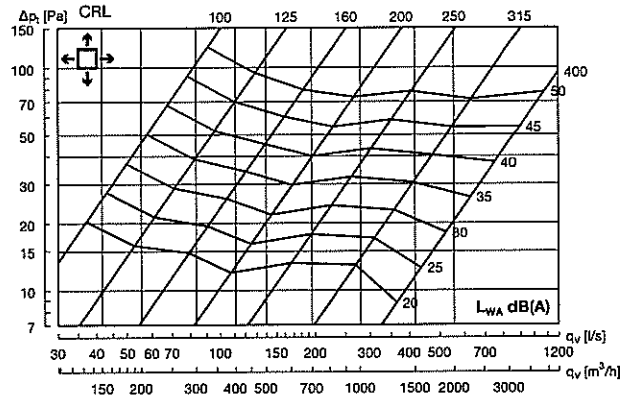
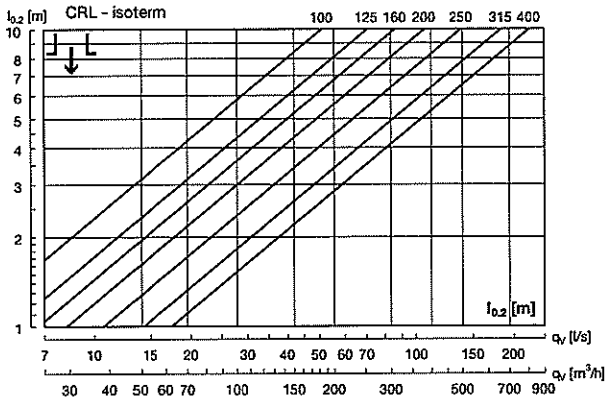
Technical data

Throw $l_{0,2}$ / turning point $l_{0,0}$

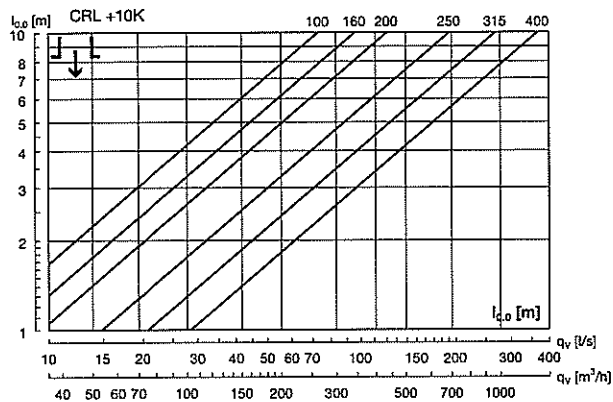
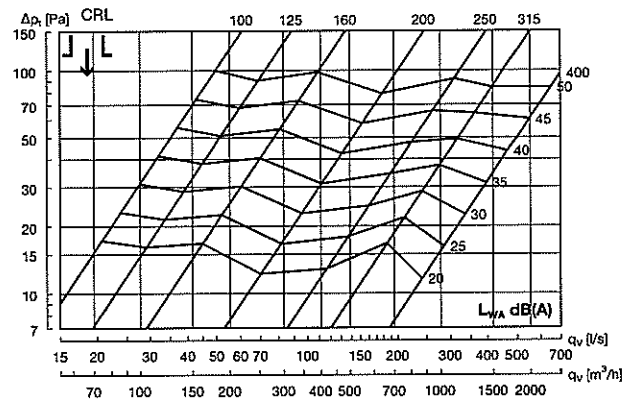
Throw $l_{0,2}$ [m] is specified at a speed of 0.2 m/s. Turning point $l_{0,0}$ [m] is specified for +5 K, +10 K respectively.

CRL without box - Supply air

Supply air - horizontal.



Supply air - vertical

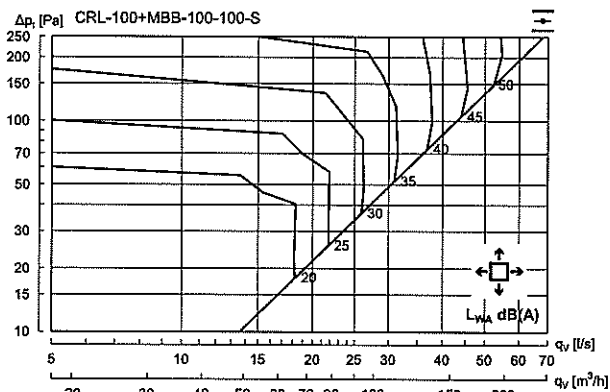


Plain diffuser

CRL

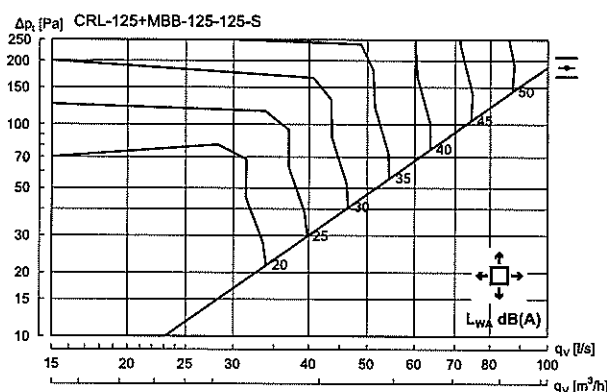
Technical data

CRL 100 + MBB-S - Supply air

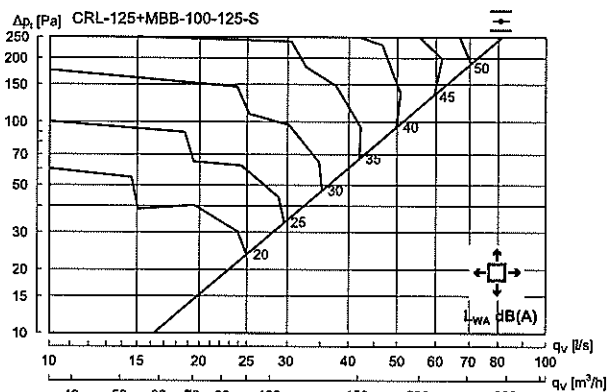


Hz	63	125	250	500	1K	2K	4K	8K
K _α	12	8	5	-7	-8	-14	-17	-22

CRL 125 + MBB-S - Supply air



Hz	63	125	250	500	1K	2K	4K	8K
K _α	11	9	3	-5	-6	-14	-20	-24

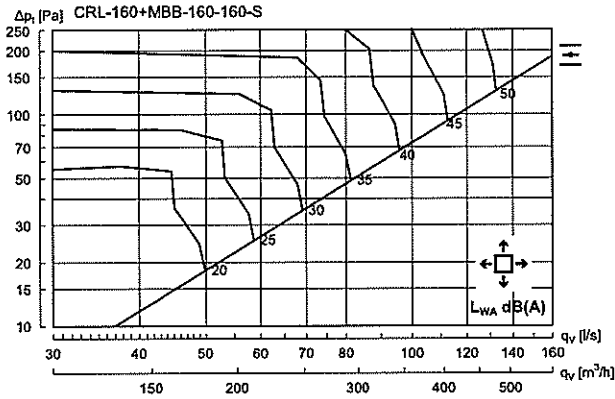


Hz	63	125	250	500	1K	2K	4K	8K
K _α	13	8	3	-5	-7	-11	-15	-19

Plain diffuser

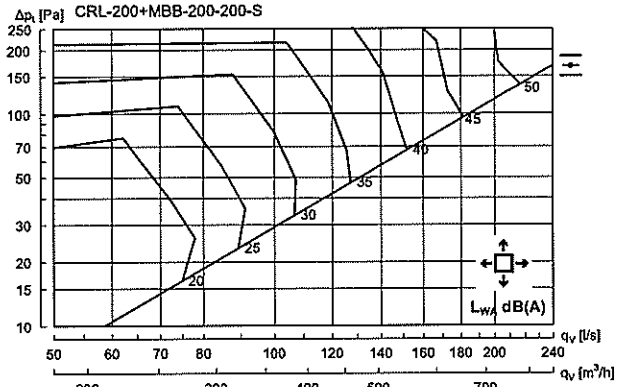
CRL

Technical data CRL 160 + MBB-S - Supply air

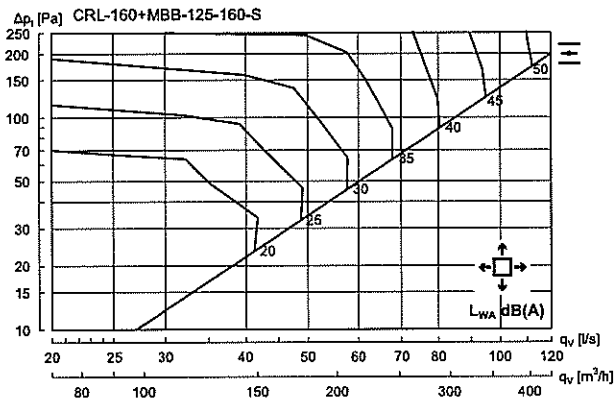


Hz	63	125	250	500	1K	2K	4K	8K
K_{α}	11	12	3	-7	-7	-15	-20	-23

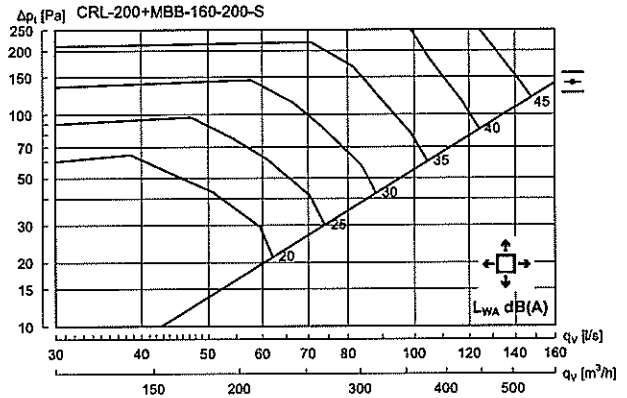
CRL 200 + MBB-S - Supply air



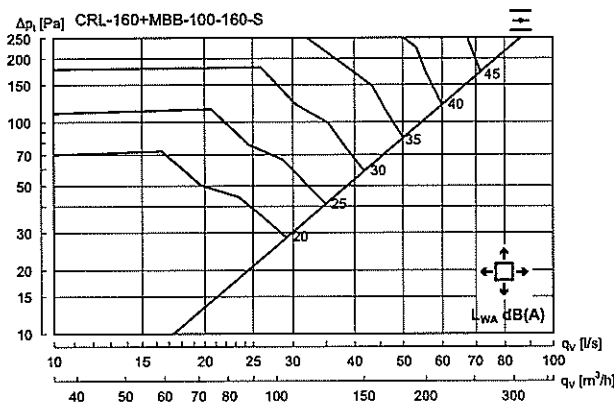
Hz	63	125	250	500	1K	2K	4K	8K
K_{α}	12	11	1	-3	-7	-15	-20	-24



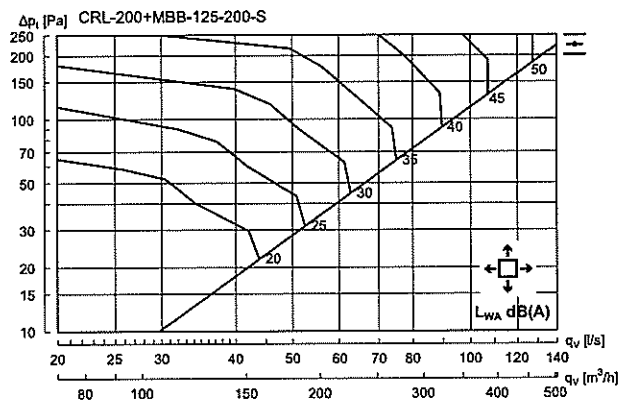
Hz	63	125	250	500	1K	2K	4K	8K
K_{α}	12	8	3	-5	-6	-11	-17	-22



Hz	63	125	250	500	1K	2K	4K	8K
K_{α}	12	8	1	-4	-5	-10	-18	-22



Hz	63	125	250	500	1K	2K	4K	8K
K_{α}	9	3	1	-3	-5	-9	-15	-19



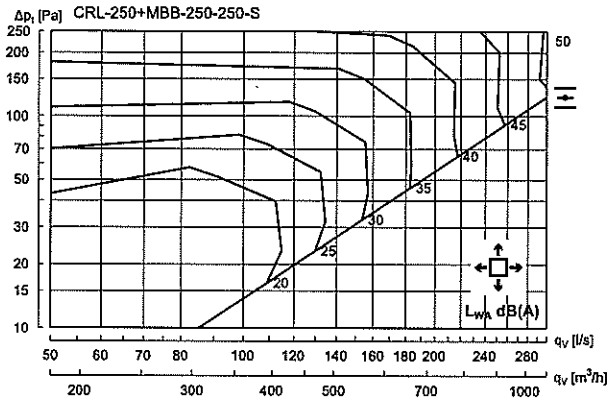
Hz	63	125	250	500	1K	2K	4K	8K
K_{α}	10	5	1	-4	-5	-10	-16	-20

Plain diffuser

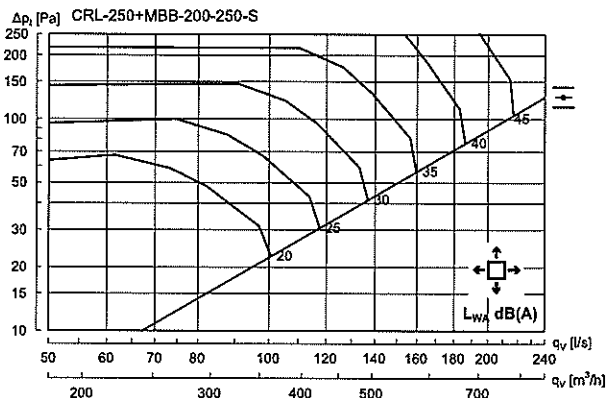
CRL

Technical data

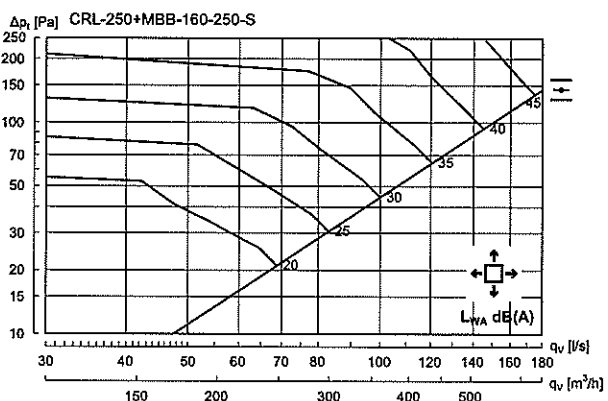
CRL 250 + MBB-S - Supply air



Hz	63	125	250	500	1K	2K	4K	8K
K_{sa}	15	7	0	-2	-6	-12	-16	-21

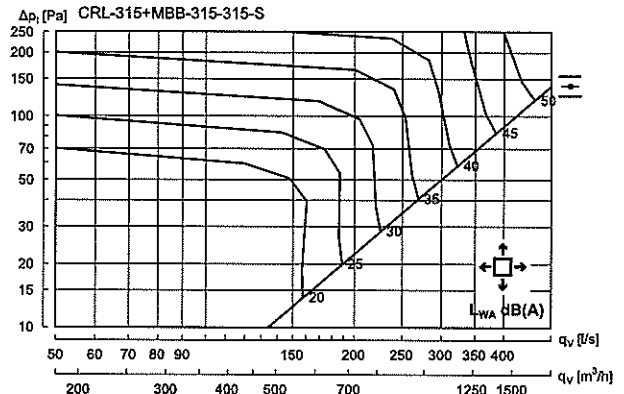


Hz	63	125	250	500	1K	2K	4K	8K
K_{sa}	11	7	-1	-2	-5	-12	-17	-22

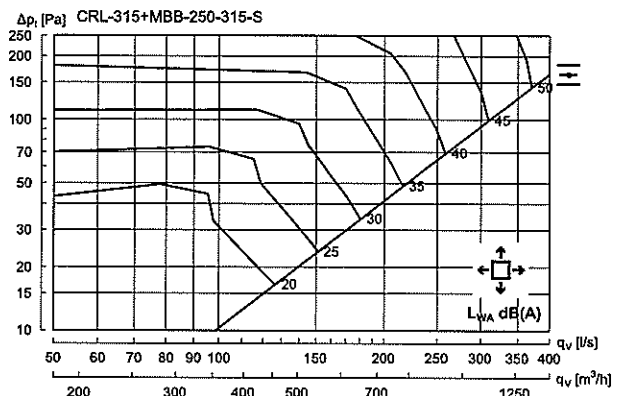


Hz	63	125	250	500	1K	2K	4K	8K
K_{sa}	11	6	1	-3	-5	-10	-15	-21

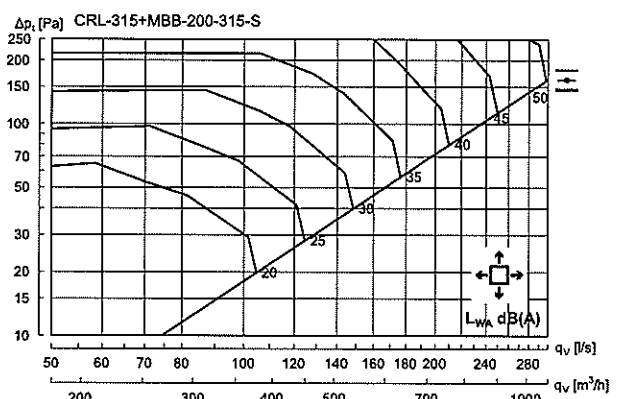
CRL 315 + MBB-S - Supply air



Hz	63	125	250	500	1K	2K	4K	8K
K_{sa}	15	4	1	-2	-6	-13	-17	-16



Hz	63	125	250	500	1K	2K	4K	8K
K_{sa}	13	6	-1	-2	-5	-12	-17	-23

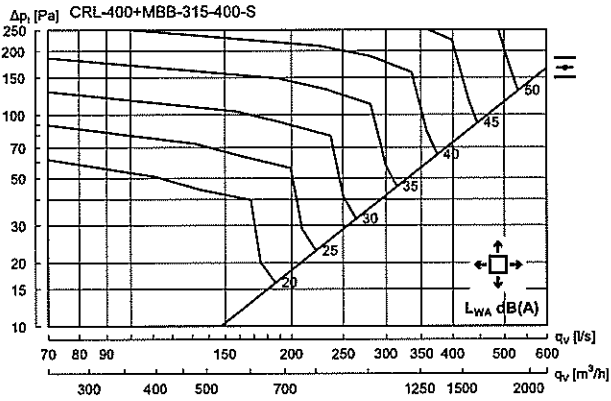


Hz	63	125	250	500	1K	2K	4K	8K
K_{sa}	11	7	0	-3	-6	-10	-16	-21

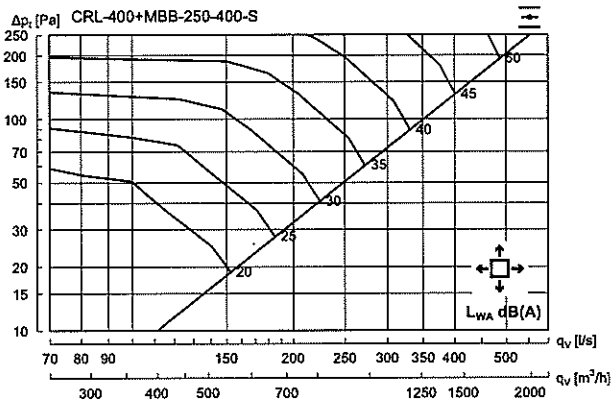
Plain diffuser

CRL

Technical data CRL 400 + MBB-S - Supply air



Hz	63	125	250	500	1K	2K	4K	8K
K_{loc}	11	3	0	-3	-5	-10	-14	-23



Hz	63	125	250	500	1K	2K	4K	8K
K_{loc}	8	4	-1	-3	-4	-10	-14	-20

CRL + MBB-S - Supply air

Correction vertical supply air, sound power level (L_{WA}) and pressure loss (Δp_t)

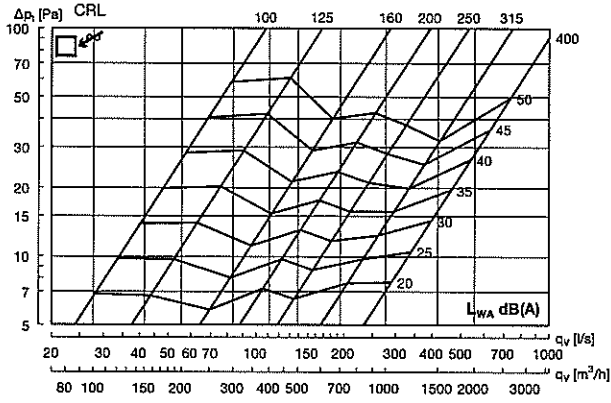
CRL + MBB-S		Correction factor	
duct	CRL	Vertical supply air	
$\varnothing d_1$	$\varnothing d_2$	L_{WA}	Δp_t
100	100	+6	x 1,3
100	125	+8	x 1,3
100	160	+3	x 1,1
125	125	+1	x 1
125	160	+8	x 1,2
125	200	+1	x 1
160	160	+10	x 1,5
160	200	+3	x 1,1
160	250	+0	x 1
200	200	+7	x 1,3
200	250	+0	x 1
200	315	+1	x 1
250	250	+ -2	x 1
250	315	+0	x 1
250	400	+0	x 1,1
315	315	+ -2	x 1,1
315	400	+3	x 1,2

Plain diffuser

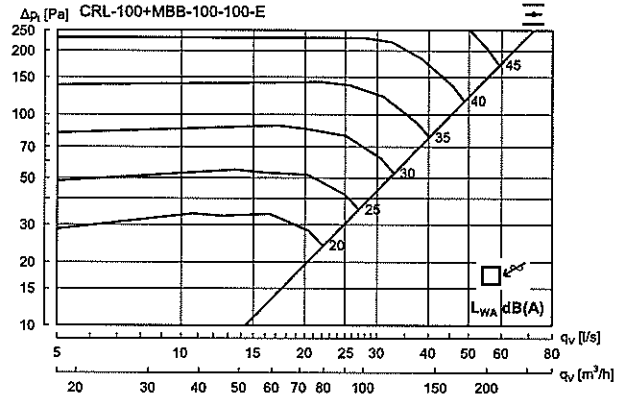
CRL

Technical data

CRL without box - Extract air



CRL 100 + MBB-E - Extract air



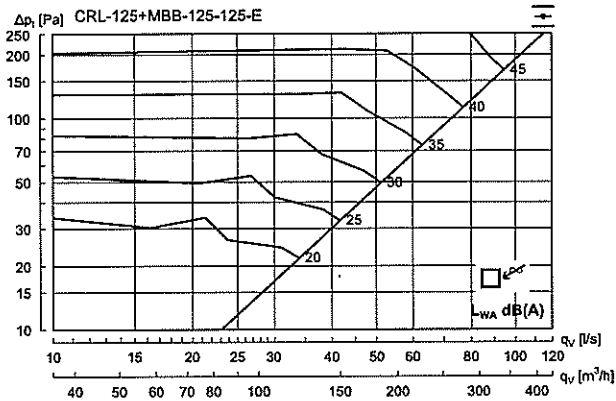
Hz	63	125	250	500	1K	2K	4K	8K
K_{α}	11	0	2	-2	-6	-11	-15	-22

Plain diffuser

CRL

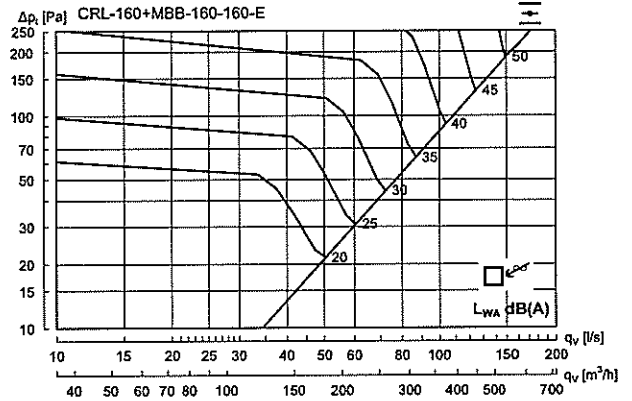
Technical data

CRL 125 + MBB-E - Extract air

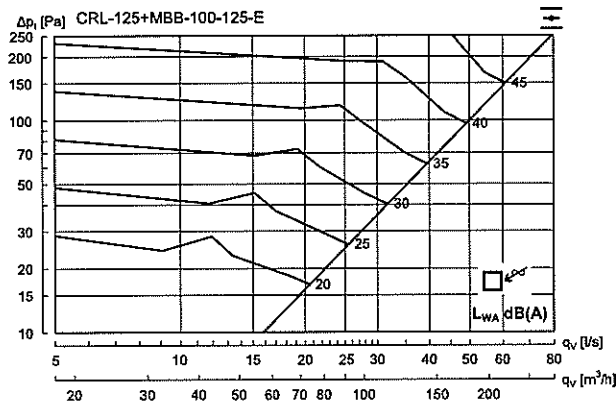


Hz	63	125	250	500	1K	2K	4K	8K
K_{α}	14	5	-1	-3	-4	-12	-15	-21

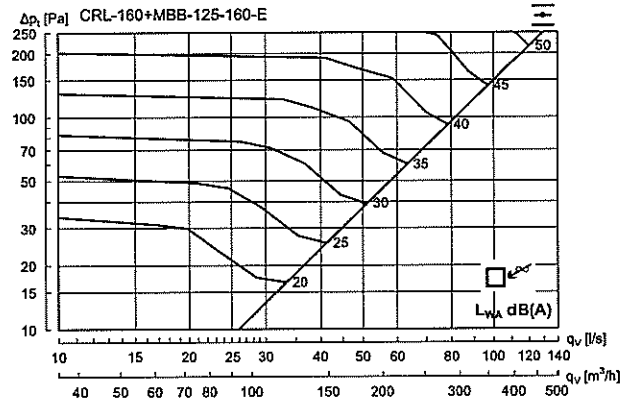
CRL 160 + MBB-E - Extract air



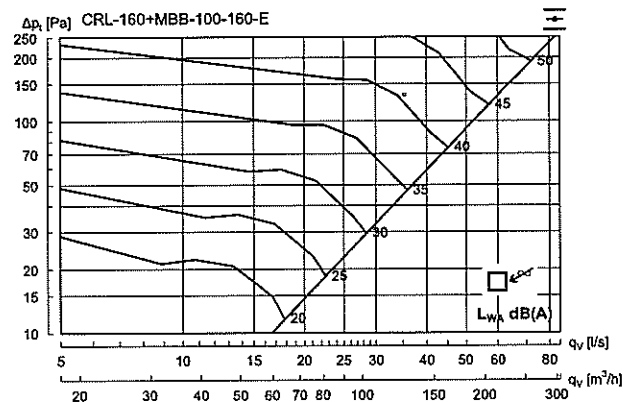
Hz	63	125	250	500	1K	2K	4K	8K
K_{α}	14	4	-1	-4	-4	-10	-16	-24



Hz	63	125	250	500	1K	2K	4K	8K
K_{α}	13	0	4	-3	-8	-11	-17	-22



Hz	63	125	250	500	1K	2K	4K	8K
K_{α}	13	6	1	-3	-5	-12	-15	-21



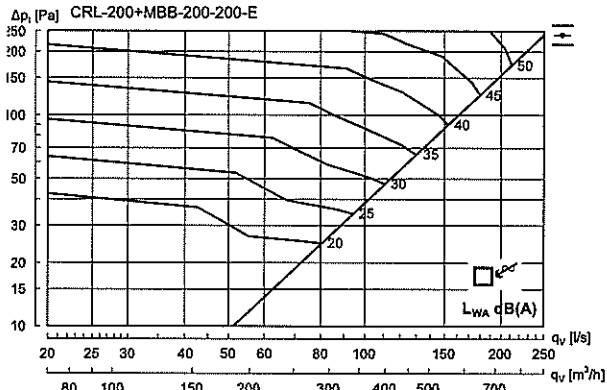
Hz	63	125	250	500	1K	2K	4K	8K
K_{α}	13	0	5	-3	-9	-12	-19	-23

Plain diffuser

CRL

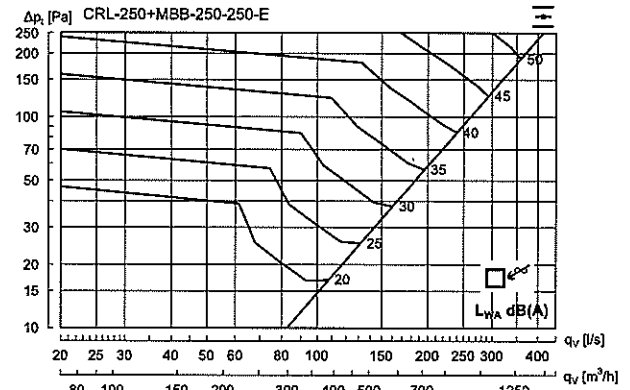
Technical data

CRL 200 + MBB-E - Extract air

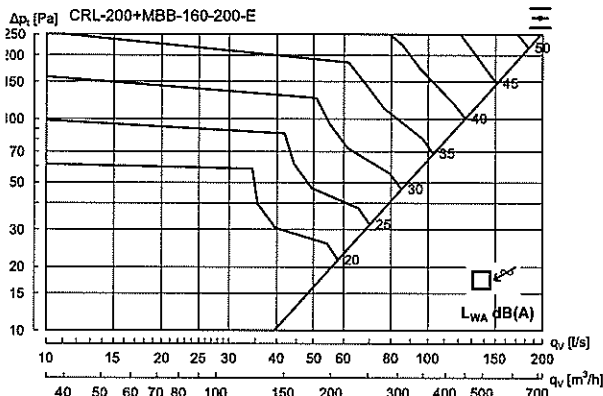


Hz	63	125	250	500	1K	2K	4K	8K
K_a	15	5	-1	-3	-6	-9	-16	-25

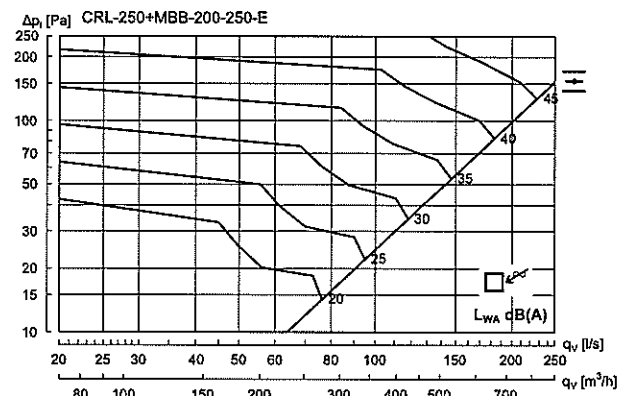
CRL 250 + MBB-E - Extract air



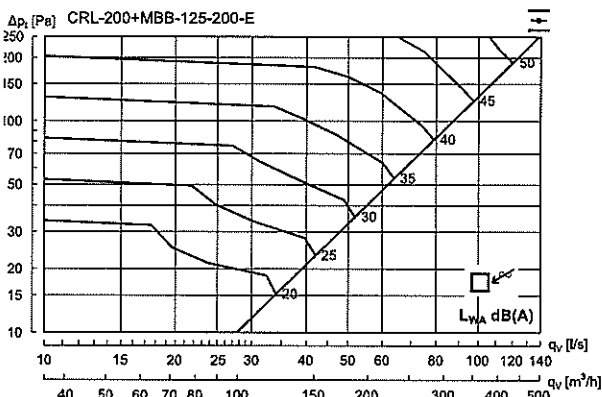
Hz	63	125	250	500	1K	2K	4K	8K
K_a	11	6	2	-2	-7	-11	-15	-24



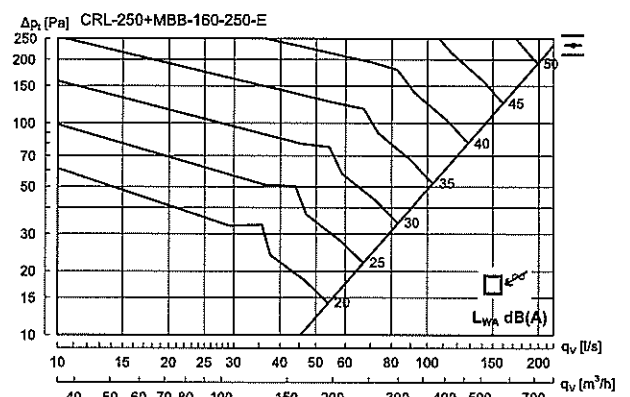
Hz	63	125	250	500	1K	2K	4K	8K
K_a	14	5	0	-3	-5	-9	-15	-20



Hz	63	125	250	500	1K	2K	4K	8K
K_a	13	5	1	-3	-6	-10	-13	-22



Hz	63	125	250	500	1K	2K	4K	8K
K_a	9	2	1	-2	-5	-9	-14	-19



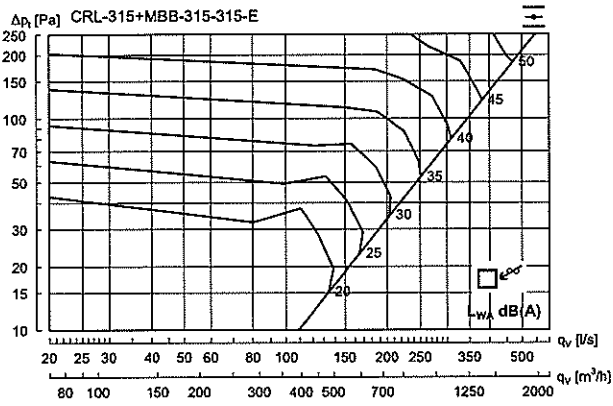
Hz	63	125	250	500	1K	2K	4K	8K
K_a	13	5	1	-3	-5	-11	-14	-20

Plain diffuser

CRL

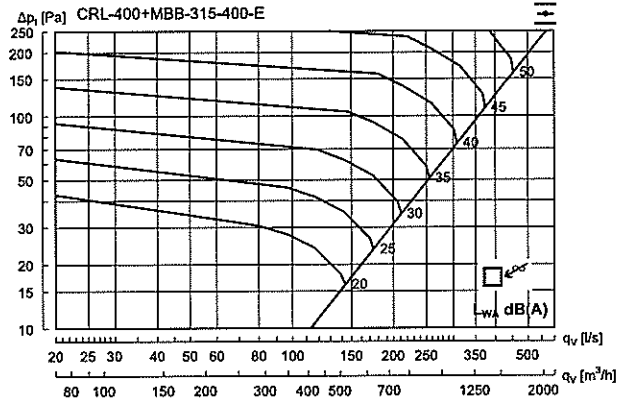
Technical data

CRL 315 + MBB-E - Extract air

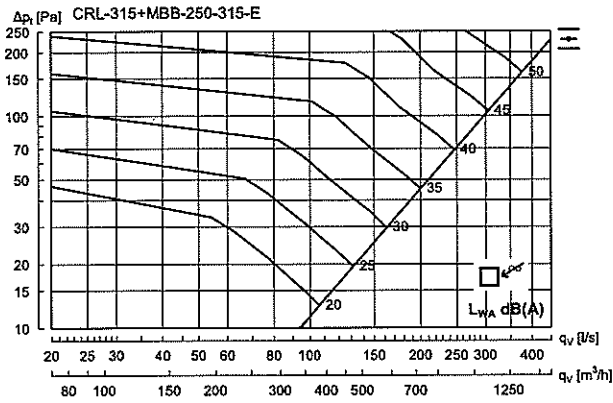


Hz	63	125	250	500	1K	2K	4K	8K
K_{α}	13	5	2	-3	-6	-10	-15	-25

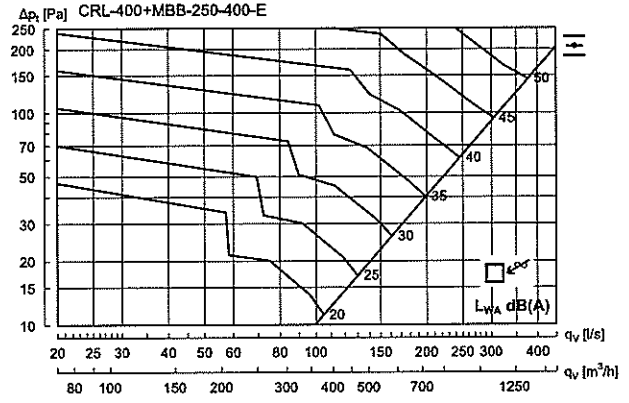
CRL 400 + MBB-E - Extract air



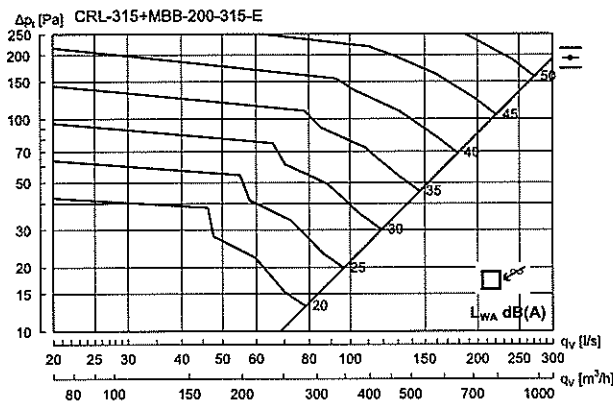
Hz	63	125	250	500	1K	2K	4K	8K
K_{α}	11	5	2	-2	-7	-11	-15	-25



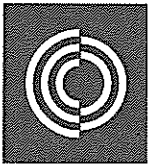
Hz	63	125	250	500	1K	2K	4K	8K
K_{α}	9	5	2	-3	-6	-10	-16	-22



Hz	63	125	250	500	1K	2K	4K	8K
K_{α}	9	6	2	-2	-6	-12	-16	-24



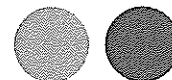
Hz	63	125	250	500	1K	2K	4K	8K
K_{α}	13	5	0	-3	-5	-10	-15	-22



Good Thinking

At Lindab, good thinking is a philosophy that guides us in everything we do. We have made it our mission to create a healthy indoor climate – and to simplify the construction of sustainable buildings. We do that by designing innovative products and solutions that are easy to use, as well as offering efficient availability and logistics. We are also working on ways to reduce our impact on our environment and climate. We do that by developing methods to produce our solutions using a minimum of energy and natural resources, and by reducing negative effects on the environment. We use steel in our products. It's one of few materials that can be recycled an infinite number of times without losing any of its properties. That means less carbon emissions in nature and less energy wasted.

We simplify construction



TELJESÍTMÉNYNYILATKOZAT

1. A terméktípus egyedi azonosító kódja:

Lindab Comfort befúvó és elszívó anemosztátok

2. Típus-, tétel- vagy sorozatszám vagy egyéb ilyen elem, amely lehetővé teszi az építési termék azonosítását a 11. cikk (4) bekezdésében előírtaknak megfelelően:

Formo (PKA, PCA, LKA, LCA, CRL, MBB, MBE, MBC, PCY, PKY)

Integra (PC6, PC7, RC14, RC15, NC19, RCG, LKP, LCP, LCC)

Versio (PS1, PS2, PS3, RX, PS4, PS8, PS9, PS10, PS11, RS14, RS15, RS16, RX14, RX15, RX16, NS19, GS23)

Lineo (MTL, STB, STU, LD-18, LD-17, LD-16, LD-13, LD-14)

Egyéb befúvók, dobozok (SHH, DCS, LCS, PCS, PBH, RCW, RCWB, HLD, FKD, VSR)

Fali befúvók (PR, NR, DR, WB, VBA,)

Fúvókák (GTI, DAD, LAD, GD)

Rácsok (B3020, B, C20, C21, C50, C51, F20, G20, GGR, GAT, B, C, F, G, VBA, VBX, RGS, D11, A1, IGR, YGC,

VR, H1, H2, EVFZS, GRS, AD, AE, AL, AR, AT, DGA, MFA, WLA, WLS)

Comdif (CBA, CHA, CQA, CQAZ, CRA, CRL, CVA, CEA, CKA, CCA, CRP, CRU, CCP, CCU, CBAL, CBAV)

VAV (PKV, LKV, PCV, LCV, LKPV, LCPV, VRU, VRA, FRU)

Légátvezetők (ULA, ULV, OLC, OLR)

Légszelepek (KI, KIR, KU, KSU, URH, VGM, VG, VRGL, VGU, ILVRU, AIRYB, AIRYFP)



Projekt: 21433/01

Vevő: Radel & Hahn Zrt.

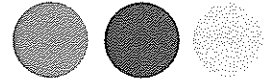
Az építési terméknek a gyártó által meghatározott rendeltetése vagy rendeltetései az alkalmazandó műszaki előírással összhangban:

Befúvó és elszívó szerkezetek

4. A gyártó és forgalmazó neve, bejegyzett kereskedelmi neve, illetve bejegyzett védjegye, valamint értesítési címe a 11. cikk (5) bekezdésében előírtaknak megfelelően:

Gyártó:	Forgalmazó:
 Lindab sro. KBP Na Hurce 1081/6 16100 Praha 6 Tel.: +420-233-107-100 E-mail: info@lindab.cz	 Lindab Kft. 2051 Biatorbágy, Állomás u. 1/a Tel.: +36-23/531-300 E-mail: info@lindab.hu

5. Az építési termékek teljesítménye állandóságának értékelésére és ellenőrzésére szolgáló, az V. sz. mellékletben szereplők szerinti rendszer vagy rendszerek:



3. rendszer

6. Nem harmonizált szabványok, műszaki dokumentációk által szabályozott építési termékekre vonatkozó gyártói nyilatkozat esetén:

Építésügyi Minőségellenőrző Innovációs Nonprofit Kft.
(azonosítási szám: 138/2009, NB: 1415, cím: 1113 Budapest, Diószegi út 37.)

A gyártó üzem és az üzemi gyártásellenőrzés alapvizsgálatát és termékvizsgálatokat végzett a 3. rendszerben, és a következőt adta ki:

Nemzeti Műszaki Értékelés (A-100/2015 sz. NMÉ)

7. A nyilatkozat szerinti teljesítmény

Alkalmazott műszaki előírás:



A-1159/1998 sz. Építőipari Műszaki Engedély (ÉME)

Alapvető tulajdonságok	Teljesítmény	Vizsgálati és egyéb szabványok
Anyagminőség	DX51D horganyzott acél 1.4301 rozsdamentes acél	MSZ EN 10346:2009 MSZ EN ISO 9445:2006
Tűzvédelmi osztály fém alkatrészekre	A1	MSZ EN 13501-1:2007 + A1:2010
Szabad keresztmetszet H1 acél	70%	
Szabad keresztmetszet H1 alumínium	65%	
Áramlástechnikai jellemzők	Nyomásesés (Pa) és vetőtávolság (m) az átáramló légmennyiség függvényében	MSZ EN 12238:2001

8. Az 1. és 2. pontban meghatározott termék teljesítménye megfelel a 7. pontban feltüntetett, nyilatkozat szerinti teljesítménynek.

E teljesítménynyilatkozat kiadásáért kizárólag a 4. pontban meghatározott gyártó a felelős.

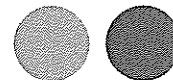
A gyártó nevében és részéről aláíró személy:



Lindab®
 Lindab Kft.
 2051 Biatorbágy, Állomás út 1/a
 Adószám: 10533260-2-13
 Cg: 13-09-065422

.....
Pál Zsolt
 termelés vezető

Biatorbágy, 2021.08.09.

Jelen dokumentum visszavonásig érvényes.



TELJESÍTMÉNYNYILATKOZAT

1. A terméktípus egyedi azonosító kódja:

Lindab Comfort befúvó és elszívó anemosztátok

2. Típus-, tétel- vagy sorozatszám vagy egyéb ilyen elem, amely lehetővé teszi az építési termék azonosítását a 11. cikk (4) bekezdésében előírtaknak megfelelően:

Formo (PKA, PCA, LKA, LCA, CRL, MBB, MBE, MBC, PCY, PKY)

Integra (PC6, PC7, RC14, RC15, NC19, RCG, LKP, LCP, LCC)

Versio (PS1, PS2, PS3, RX, PS4, PS8, PS9, PS10, PS11, RS14, RS15, RS16, RX14, RX15, RX16, NS19, GS23)

Lineo (MTL, STB, STU, LD-18, LD-17, LD-16, LD-13, LD-14)

Egyéb befúvók, dobozok (SHH, DCS, LCS, PCS, PBH, RCW, RCWB, HLD, FKD, VSR)

Fali befúvók (PR, NR, DR, WB, VBA,)

Fúvókák (GTI, DAD, LAD, GD)

Rácsok (B3020, B, C20, C21, C50, C51, F20, G20, GGR, GAT, B, C, F, G, VBA, VBX, RGS, D11, A1, IGR, YGC,

VR, H1, H2, EVFZS, GRS, AD, AE, AL, AR, AT, DGA, MFA, WLA, WLS)

Comdif (CBA, CHA, CQA, CQAZ, CRA, CRL, CVA, CEA, CKA, CCA, CRP, CRU, CCP, CCU, CBAL, CBAV)

VAV (PKV, LKV, PCV, LCV, LKPV, LCPV, VRU, VRA, FRU)

Légátvezetők (ULA, ULV, OLC, OLR)

Légszelepek (KI, KIR, KU, KSU, URH, VGM, VG, VRGL, VGU, ILVRU, AIRYB, AIRYFP)



Projekt: 21433/01

Vevő: Radel & Hahn Zrt.

Az építési terméknek a gyártó által meghatározott rendeltetése vagy rendeltetései az alkalmazandó műszaki előírással összhangban:

Befúvó és elszívó szerkezetek

4. A gyártó és forgalmazó neve, bejegyzett kereskedelmi neve, illetve bejegyzett védjegye, valamint értesítési címe a 11. cikk (5) bekezdésében előírtaknak megfelelően:

Gyártó:	Forgalmazó:
 Lindab Lindab sro. KBP Na Hurce 1081/6 16100 Praha 6 Tel.: +420-233-107-100 E-mail: info@lindab.cz	 Lindab Lindab Kft. 2051 Biatorbágy, Állomás u. 1/a Tel.: +36-23/531-300 E-mail: info@lindab.hu

5. Az építési termékek teljesítménye állandóságának értékelésére és ellenőrzésére szolgáló, az V. sz. mellékletben szereplők szerinti rendszer vagy rendszerek:



3. rendszer

6. Nem harmonizált szabványok, műszaki dokumentációk által szabályozott építési termékekre vonatkozó gyártói nyilatkozat esetén:

Építésügyi Minőségellenőrző Innovációs Nonprofit Kft.
(azonosítási szám: 138/2009, NB: 1415, cím: 1113 Budapest, Diószegei út 37.)

A gyártó üzem és az üzemi gyártásellenőrzés alapvizsgálatát és termékvizsgálatokat végzett a 3. rendszerben, és a következőt adta ki:

Nemzeti Műszaki Értékelés (A-100/2015 sz. NMÉ)

7. A nyilatkozat szerinti teljesítmény

Alkalmazott műszaki előírás:



A-1159/1998 sz. Építőipari Műszaki Engedély (ÉME)

Alapvető tulajdonságok	Teljesítmény	Vizsgálati és egyéb szabványok
Anyagminőség	DX51D horganyzott acél 1.4301 rozsdamentes acél	MSZ EN 10346:2009 MSZ EN ISO 9445:2006
Tűzvédelmi osztály fém alkatrészekre	A1	MSZ EN 13501-1:2007 + A1:2010
Szabad keresztmetszet H1 acél	70%	
Szabad keresztmetszet H1 alumínium	65%	
Áramlástechnikai jellemzők	Nyomásesés (Pa) és vetőtávolság (m) az átáramló légmennyiség függvényében	MSZ EN 12238:2001

8. Az 1. és 2. pontban meghatározott termék teljesítménye megfelel a 7. pontban feltüntetett, nyilatkozat szerinti teljesítménynek.

E teljesítménynyilatkozat kiadásáért kizárólag a 4. pontban meghatározott gyártó a felelős.

A gyártó nevében és részéről aláíró személy:



Lindab®
 Lindab Kft.
 2061 Biatorbágy, Állomás út 1/a
 Adószám: 10539260-2-13
 Cg: 13-09-065422

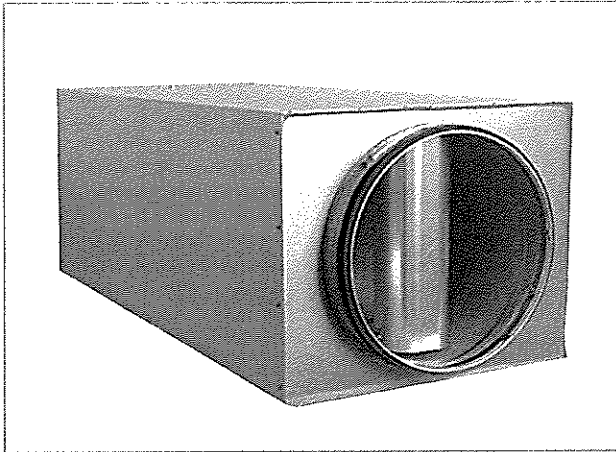
.....
 Pál Zsolt
 termelés vezető

Biatorbágy, 2021.08.09.

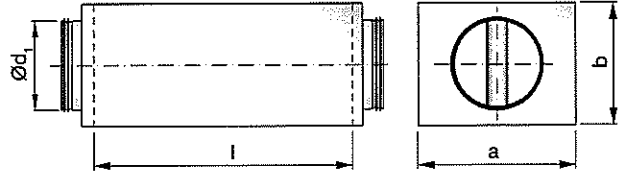
Jelen dokumentum visszavonásig érvényes.

Kör egyenes hangcsillapító - alacsony beépítésű

LRBCB



Méreték és akusztikai adatok



Ød ₁ mm	l mm	a x b mm		Csillapítás [dB] középfrekvenciákra [Hz]								m kg
				63	125	250	500	1k	2k	4k	8k	
315	500	453	372	5	5	7	15	28	19	14	14	10,6
315	1000	453	372	9	6	13	27	45	36	23	21	19,4
400	500	546	460	5	4	6	13	21	13	11	10	14,0
400	1000	546	460	6	5	10	22	39	25	17	15	24,3
500	600	700	600	5	4	9	17	17	12	10	9	24,1
500	1200	700	600	6	6	15	28	32	21	15	13	41,4
630	600	810	710	3	3	7	16	11	9	7	7	29,5
630	1200	810	710	5	5	13	26	24	15	11	10	50,4
800	600	980	880	2	2	6	12	9	7	5	5	38,4
800	1200	980	880	3	4	11	14	11	9	7	6	63,7

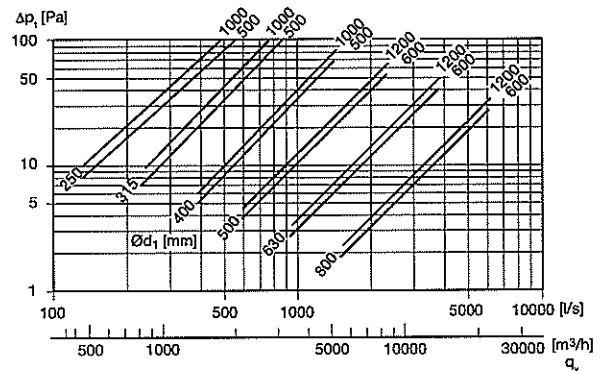
Leírás

Kulisszás hangcsillapító alacsony beépítési magassággal.

A belső oldala perforált acéllemez. A borítás megakadályozza az üvegyapot szálak leválását. Legfeljebb C tömörségi osztálynak felel meg.

A kulissza borítása ellenáll a tisztítás során alkalmazott forgó műanyag kefének.

Műszaki adatok



Rendelési minta

Termék **LRBCB** **aaa** **bbbb**

LRBCB

Csatlakozási méret Ød₁

Ød₁ = 315 - 800 mm

Hossz mm

l = 500 - 1200 mm

Példa: LRBCB - 500 - 1200





TELJESÍTMÉNYNYILATKOZAT

1. A termék típus egyedi azonosító kódja:

LINDAB kör keresztmetszetű légcsonnák és idomok (horganyzott és rozsdamentes kivétel)

2. Típus-, tétel- vagy sorozatszám vagy egyéb ilyen elem, amely lehetővé teszi az építési termék azonosítását a 11. cikk (4) bekezdésében előírtaknak megfelelően:

Légcsonna (SR,SRS,SRBCD)

SAFE duplaperemű gumitömítéssel ellátott idomok:

Könyökök (BU, BFU, BKU, BKFU, BSU, BKMU, BKFMU, BSU, BSFU, BKCU, BFKCU, BBKCU, BFBKCU), Szűkítő (RCU, RCFU, RU, RFU, RFLU, RCLU, RCFLU, RLU) Nyeregidomok (PSU, TSTCU, PSVU, TSTU), Elágazó-idomok (TCPU, TCU, TU, TVU, XCU, XU, XVU, YVU, NCKU, LTRSR), Beömlőnyílások (ILRU, ILU, ILF, ILRNU, ESNU, EPNF, ILKNU, ILKNF, ILVU, AVU), Kapcsolóidomok (NPU, NPEU, SNPU, MF, SMFU), Véglezárók (EPF, ESU, EPFH, ESHU, KCU, KCIVU, KCRU, KC)

VENT gumitömítés nélküli idomok:

Könyökök (B, BF, BKF), Szűkítő (RC, RCF, RFL, RCL, RCFL, RL), Nyeregidomok (PS, TSTC, PSV, TST), Elágazó-idomok (TCP, TC, T, TV, XC, X, XV, YV, NCK), Beömlőnyílások (IL, ESN, ILV, AV), Kapcsolóidomok (NP)

Véglezárók (ES)

Kör keresztmetszetű hangcsillapítók (AKUCOM,SLFA,SLU, SLCU, SLXU, BSLU, BSLCU, SLBU, SLBCU, SLGU, SLBGU, SLCDU, SLTR, LRBCB, LRCA, LRCB, LRCEC, SLKNU, EXAD)

Kör keresztmetszetű szabályozók ,Szabályozószelep (DRU, DR, DSU, DS, DTU, DT, DTHU, DTWU,FTMU,DCT), Visszacsapó szelep (CAR, CARU, RSK, RSKA, DOS, DOSU) Írisz szabályozó (DIRU), Tisztítható szelepek (PSDRU, TDRU, TDSU), Váltó szelepek (TASU, TATU), Állandó áraml. áramlás szabályozó (DAU,) Mérőelemek (FMDRU, FMDU, FMU, MBU, MBFU), Alkatrészek szabályozókhoz (DRHTG, VREDF, KOMHY, LÖMOK) Motoros szabályozók (DIRBU, DIRVU, DTHU,DTBU, DTBCU, DTFU, DTPU, TATBU, DA2EU, DAVU,VRL1,)

Egyéb kör keresztmetszetű elemek:

Tetőkifúvók (H, HV, HU, HN, HF, VHL, VHP,HRR, HVR, LHR, HKOMR, TGR, TGKOMR) Tisztítónyílások (IPLR, IPF, IPRD, LKCR) Flexibilis csövek (FD, FBLD, FLD, FMD, FBLDD, FLDD, FDO, SRF1C,DRATFM, FD, FDD, FIBLD, FILD, FIMD, FIHD, FDFI, FIDD, FMDSL, FHDSL, FLDFSL, FBLDFSL, MDC, FDB, FDBL)

Kiegészítők (DRSNR,OM,UVH-UV25,U41, U42, U51, U52, WCLGM, WCRVG, WCVG, FIBOX, FL-,TAPE, ALATET, RJBC, RJB,RJN,CPW,OSB, K41)



Légszelepek:Befúvó légszelep (KI, KIR), Elszívó légszelep (KU, KSU, URH), Csatlakozó aljzat légszelephez (VGM, VG, VRGL, VGU, ILVRU,)

Projekt: 21433/1

Vevő: Radel & Hahn Zrt.

3. Az építési terméknek a gyártó által meghatározott rendeltetése vagy rendeltetései az alkalmazandó műszaki előírással összhangban: **Kör keresztmetszetű légcsonnák**

4. A gyártó és forgalmazó neve, bejegyzett kereskedelmi neve, illetve bejegyzett védjegye, valamint értesítési címe a 11. cikk (5) bekezdésében előírtaknak megfelelően:

	Gyártó:	Gyártó és forgalmazó:	
5. Az	 Lindab sro. KBP Na Hurce 1081/6 16100 Praha 6 Tel.: +420-233-107-100 E-mail: info@lindab.cz	 Lindab Kft. 2051 Biatorbágy, Állomás u. 1/a Tel.: +36-23/531-300 E-mail: info@lindab.hu	építési

termékek teljesítménye állandóságának értékelésére és ellenőrzésére szolgáló, az V. sz. mellékletben szereplők szerinti rendszer vagy rendszerek:

3. rendszer

6. Nem harmonizált szabványok, műszaki dokumentációk által szabályozott építési termékekre vonatkozó gyártói nyilatkozat esetén:

Építésügyi Minőségellenőrző Innovációs Nonprofit Kft.

(azonosítási szám: 138/2009, NB: 1415, cím: 1113 Budapest, Diószegi út 37.)

A gyártó üzem és az üzemi gyártásellenőrzés alapvizsgálatát és termékvizsgálatokat végzett a 3. rendszerben, és a következőt adta ki:

Nemzeti Műszaki Értékelés (A-100/2015 sz. NMÉ)



7. A nyilatkozat szerinti teljesítmény Alkalmazott műszaki előírás: **Nemzeti Műszaki Értékelés (A-100/2015 sz. NMÉ)**

Alapvető tulajdonságok	Teljesítmény	Vizsgálati és egyéb szabványok
Anyagminőség	DX51D horganyzott acél 1.4301 rozsdamentes acél 1.4401 rozsdamentes acél	MSZ EN 10346:2009 MSZ EN ISO 9445-2:2010 MSZ EN ISO 9445-2:2010
Méret jellemzők, tűrések	szabvány szerinti	MSZ EN 1506:2007
Légtömörség	"C" légtömörégi osztály (SAFE rendszer esetén)	MSZ EN 12237:2003
Akusztikai jellemzők	Beiktatási veszteség, áramlási zaj (dB) (Kör keresztmetszetű hangcsillapítók)	MSZ EN ISO 7235:2009
Áramlástechnikai jellemzők	Szivárgási osztályok: 0-4 (Kör keresztmetszetű szabályozók)	MSZ EN 1751:2000

8. Az 1. és 2. pontban meghatározott termék teljesítménye megfelel a 7. pontban feltüntetett, nyilatkozat szerinti teljesítménynek.

E teljesítménynyilatkozat kiadásáért kizárólag a 4. pontban meghatározott gyártó a felelős.

A gyártó nevében és részéről aláíró személy:



Lindab Kft.
 2051 Biatorbágy, Állomás út 1/a
 Adószám: 10539260-2-13
 Cg 13 60-065422

Pál Zsolt termelés vezető

Biatorbágy, 2021.08.09.

Jelen dokumentum visszavonásig érvényes.

LÉGCSATORNÁK

radel&hahn
Building technologies - HVAC

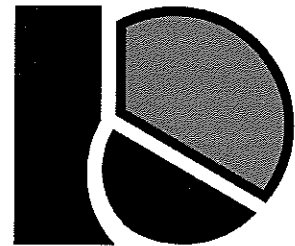


Professzionális megoldások

Cégünk légtechnikai rendszerek, klímaberendezések tervezésével, gyártásával foglalkozik, amely kiegészül komplett épületgépészeti rendszerek megvalósításával, tisztatértechnikai berendezések, lamináris boxok gyártásával, karbantartásával.



- Tervezés
- Gyártás
- Szerelés
- Építésvezetés
- Szerviz



KÖR keresztmetszetű merev csövek és idomok

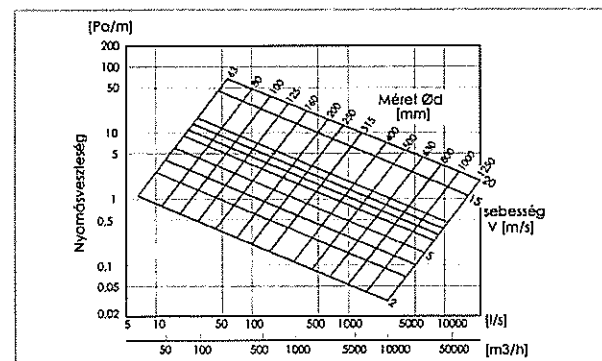
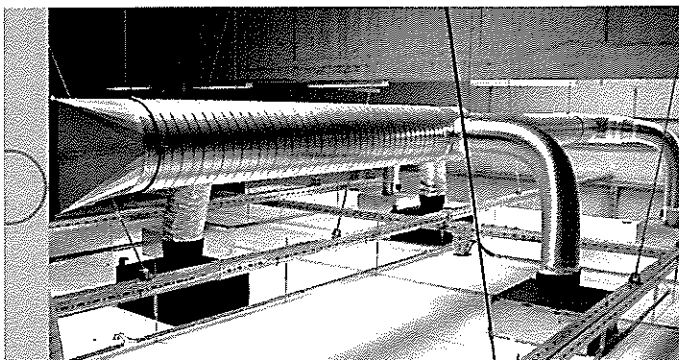
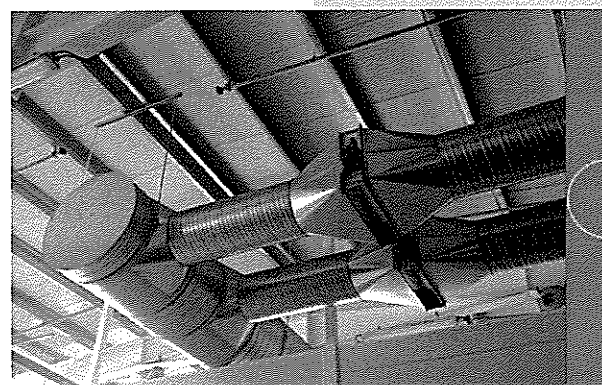
A Radel & Hahn Zrt által gyártott kör keresztmetszetű, horganyzott acéllemezről spirálkorcolt egyenes merevcsövek és idomok szellőzéstechnikai rendszerekhez készülnek.

- A szükséges légsebesség, nyomáskülönbség és légtömörség figyelembevételével különböző célokra alkalmazhatók.
- A csövek gyártásánál gépi korcolásra alkalmas, mindkét oldalon horganyzott lemezcsíkot alkalmazunk.
- Vevői kívánságra a rendszer anyaga ettől eltérően lehet rozsdamentes acél vagy alumínium.

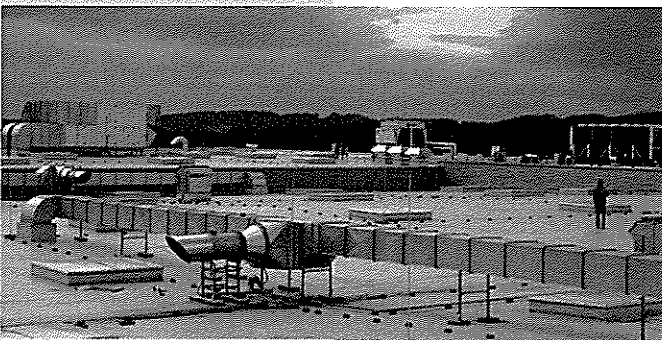
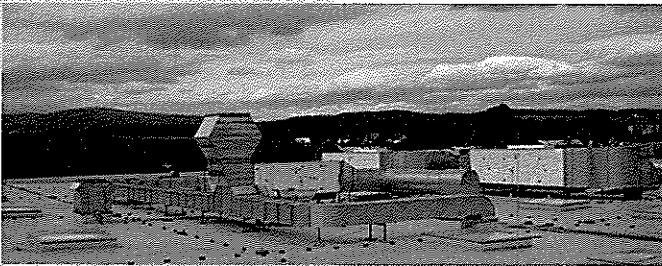
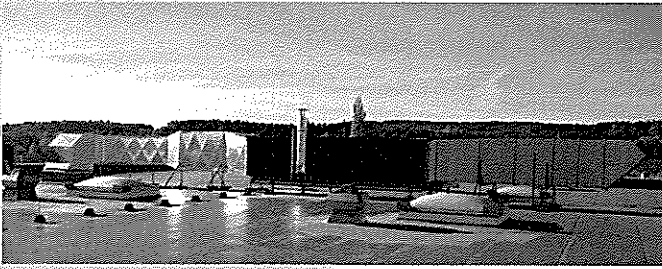


- Minden csatornaelemet, melynek átmérője 250 mm felett van egy-, illetve 500 mm átmérő fölött kettő merevítő bordával látjuk el a korcolás mellett.
- A csatornaelemek névleges maximális hossza 6000 mm. A csatorna névleges hossza a célszerűség és szállíthatóság határain belül szabadon választható.
- Külön előírás hiányában a légcatornákat $2,0 \times 10^{-3}$ - $3,0 \times 10^{-3} \text{ m}^3/\text{sec}/\text{m}^2$ megengedett szivárgással gyártjuk.

Névleges átmérő mm-ben	Legkisebb falvastagság	Megengedett legnagyobb nyomáskülönbség	
		Nyomásnál	Szívásnál
80 - 315	0,5 mm	6300 Pa	2500 Pa
350 - 500	0,5 mm	5000 Pa	1600 Pa
560 - 800	0,8 mm	5000 Pa	1250 Pa
900 - 1250	0,9 - 1,2 mm	3000 Pa	1000 Pa



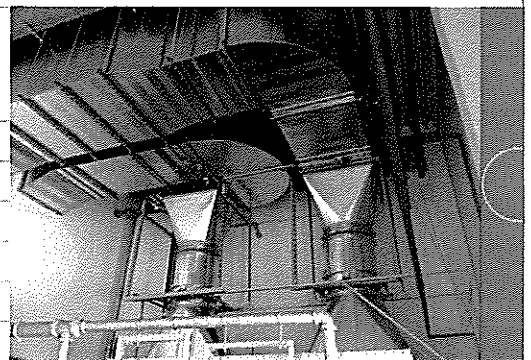
NÉGYSZÖGLETES légcsatornák és idomok



A Radel & Hahn Zrt. által gyártott négyszög keresztmetszetű, horganyzott acéllemezből falcolt, az ÖNORM M7615 számú osztrák szabvány szerint gyártott egyenes légcsatornák és idomok szellőzéstechnikai rendszerekhez készülnek, valamint a szükséges légsebesség, nyomáskülönbség és légtömörség figyelembevételével különböző célokra alkalmazhatók.

- A légcsatornák összeállításánál Pittsburg-falcot alkalmazunk. Minden légcsatorna elem lemezanyagát gépi bordázással merévítjük, illetve nagyobb keresztmetszeteknél távtartó rudakkal látjuk el.
- A csatornaelemek névleges maximális oldalhosszúsága 2000 mm, minimális oldalhossza 100 mm. A két oldalhossz egymástól függetlenül a célszerűség határain belül szabadon választható.
- A csatornaelemeket hengerelt lemez szögprofilal és sarokelemmel szereljük. A szögprofilok 20-as illetve 30-as méretben készülnek, ezek alkalmazásánál az ÖNORM M7615 szabványt vesszük figyelembe.

Névleges oldalhosszúság	Legkisebb falvastagság az alábbi megengedett nyomáskülönbséghez		
	630 Pa-ig	1600 Pa-ig	2500 Pa-ig
200-400 mm	0,7 mm	0,7 mm	0,7 mm
401-750 mm	0,7 mm	0,9 mm	0,9 mm
751-1000 mm	0,9 mm	0,9 mm	1,1 mm
1001-1400 mm	0,9 mm	1,1 mm	1,2 mm
1400 mm felett	1,1 mm	1,1 mm	1,2 mm



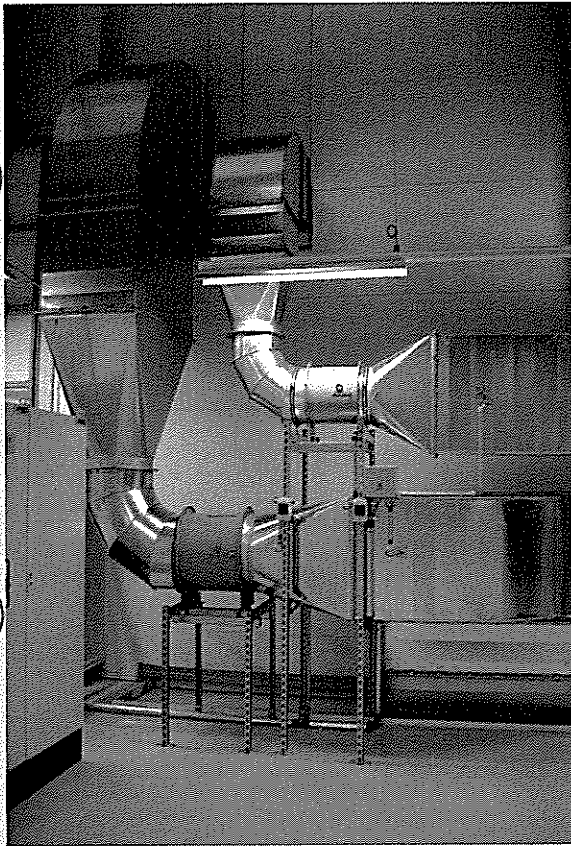
A megengedett legnagyobb **nyomáskülönbség**
2500 Pa 8m/sec.
levegősebességnél.

A légcsatornákat
 $2,0 \times 10^{-3} - 3,0 \times 10^{-3} \text{ m}^3/\text{sec}/\text{m}^2$
megengedett szivárgással
gyártjuk.

Csatorna anyaga

- ▶ horganyzott finom lemez
- ▶ alumínium lemez
- ▶ rozsdamentes acél lemez

HŐ- és FÜSTELVEZETŐ csatornák



- A csatornaelemeket hengerelt lemez szögprofilal és sarokelemmel szereljük. A szögprofilok 20-as illetve 30-as méretben készülnek. A légcsatorna elemek tömítőanyaga 4209/OF/0602 jelű 1000 °C-ig hőálló, egykomponensű, oldószermentes, vízűveg bázisú tömítőmassza.

A hő- és füstelvezető csatornarendszer csak önálló tűszakaszokban építhető be. Másik tűszakaszba vagy tűszakaszon nem vezethető át és épületszerkezethez közvetlenül nem csatlakozhat.

A csatorna felfüggesztéseinek max. távolsága:

1,65 m

A csatorna alátámasztásainak max. távolsága:

2,00 m.

A megengedett legnagyobb
nyomáskülönbség

1500 Pa

8m/sec. levegősebességnél

Hő- és füstelvezető légcsatornáink az épületek hő- és füstelvezető rendszerének részeként, önálló tűszakaszok vízszintes, függőleges és ferde pozíciójú hő- és füstelvezető csatorna rendszereként alkalmazhatók 600 °C közeghőmérsékletig.

- A légcsatornák négyzög vagy kör keresztmetszetben min. 0,9 mm vastagságú horganyzott acéllemezről készülnek.
- A légcsatornák összeállításánál Pittsburg-falcot alkalmazunk.
- Minden légcsatorna elem lemezanyagát gépi bordázással merevítjük, illetve nagyobb keresztmetszeteknél távtartó rudakkal látjuk el.

Tűzállósági határérték osztálya az EN 12107-7:2011 alapján:

E₆₀₀120(h_o)S 1500single

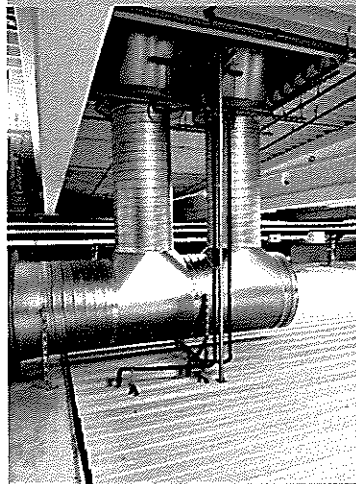
E₆₀₀120(v_e)S 1500single

Tűzvédelmi osztálya az OTSZ 5. rész/3 fejezete alapján:

A1

ÉMI-engedélyünk száma

A-79/2010



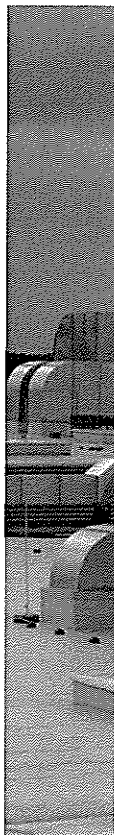
Beépíthető maximális méretek

■ **1250 x 1000 mm** (sz x m)

● **Ø 1000 mm**

A www.radel-hahn.hu weboldalunkról a teljes lista letölthető.

DIEHL Aircabin Hungary Kft. Nyírbátor
 SAMSUNG Gödöllő
 ELECTROLUX Nyíregyháza
 CONTINENTAL Nyíregyháza
 MERCEDES BENZ Manufacturing Kft. Kecskemét
 SHINWA Miskolc
 NISSIN FOOD Kecskemét
 DENSO Székesfehérvár
 GE Hungary Nyrt. Budapest
 GETRAG FORD Kechnec
 SCHELLING Kechnec
 FLEXTRONICS Nyíregyháza, Sárvár, Brno, Zalaegerszeg, Zalaövő
 ROBERT BOSCH Elektronika Kft. Halvan
 SIEMENS Gönyű
 SOUTH BUDA BUSINESS PARK Irodaház, Budapest
 INFOPARK Budapest
 ÁRPÁD CENTER Budapest
 CITY GATE IRODAHÁZ Budapest
 DOTE Debrecen
 HUMAN Gödöllő



További információk:

Radel&Hahn Zrt

H-4028 Debrecen, Kassai út 92.

Telefon: 0036 52448441 • Fax: 0036 52415258

E-mail: info@radel-hahn.hu

Web-site: www.radel-hahn.hu





305/2011/EU rendelet és 275/2013 (VII.16.) Kormányrendelet szerint

TELJESÍTMÉNYNYILATKOZAT

1., A terméktípus egyedi azonosító kódja:

Kör keresztmetszetű légszatórnák és idomok

2., Típus-, tétel- vagy sorozatszám vagy egyéb ilyen elem, amely lehetővé teszi az építési termék azonosítását a 11. cikk (4) bekezdésében előírtaknak megfelelően:

Kör légszatórna (SH, SN), Idomok (CSK, IK, CS, K, D, ELBOW, TR, TRB, NY, KSZD, ESZD, LRI, KLR, P, RSV,)

Munkaszám: 21433

Létesítmény: Budapest XIII. Kisgömb u. 26.

Vevő: Konzol 2000Kft

3., Az építési terméknek a gyártó által meghatározott rendeltetése vagy rendeltetései az alkalmazandó műszaki előírással összhangban:

Kör keresztmetszetű légszatórnák és idomok

Levegő szállítására szolgáló C- és B-tömörsegi osztályú kör keresztmetszetű légszatórna gumitömítéssel ellátott idomokkal

4., A gyártó és forgalmazó neve, bejegyzett kereskedelmi neve, illetve bejegyzett védjegye, valamint értesítési címe a 11. cikk (5) bekezdésében előírtaknak megfelelően:

Gyártó neve: Radel & Hahn Zrt.

Gyártó címe: 4028 Debrecen, Kassai út 92.

Gyártó elérhetősége: Tel. 06-52-448441, Fax 06-52415258, info@radel-hahn.hu

5., Az építési termékek teljesítménye állandóságának értékelésére és ellenőrzésére szolgáló, az V. sz. mellékletben szereplők szerinti rendszer vagy rendszerek:

4. rendszer

6., Nem harmonizált szabványok, műszaki dokumentációk által szabályozott építési termékekre vonatkozó gyártói nyilatkozat esetén: **MSZ EN ISO 9001:2015**

1 / 2 oldal



Radel & Hahn Klimatechnik GmbH
A-7210 Mattersburg, Wienerstrasse 22.
Tel.: 0043 (0) 2626 62744
Fax: 0043 (0) 2626 65259
✉ office@radel-hahn.at
www.radel-hahn.at
www.radel-hahn.com



Radel & Hahn Zrt.
H-4028 Debrecen, Kassai út 92.
Tel.: 0036-52/448-441
Fax: 0036-52/415-258
✉ info@radel-hahn.hu
www.radel-hahn.hu

7., A nyilatkozat szerinti teljesítmény

<i>Alapvető tulajdonságok</i>	<i>Teljesítmény</i>	<i>Vizsgálati és egyéb szabványok</i>
Anyagminőség	DX51D horganyzott acél	MSZ EN 10346:2009 MSZ EN ISO 9445:2006
Méret jellemzők, tűrések	szabvány szerinti	MSZ EN 1506:2007
Légtömörség	"B" légtömörégi osztály	MSZ EN 12237:2003 MSZ EN 15727:2010

8., Az 1. és 2. pontban meghatározott termék teljesítménye megfelel a 7. pontban feltüntetett, nyilatkozat szerinti teljesítménynek.

E teljesítménynyilatkozat kiadásáért kizárólag a 4. pontban meghatározott gyártó a felelős.

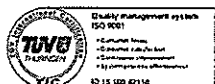
A gyártó nevében és részéről aláíró személy:

radel & hahn zrt
 IPARI, SZOLGÁLTATÓ ÉS KERESKEDELMI ZRT
 H-4028 Debrecen, Kassai út 92
 Tel.: (52) 448-441 Fax: (52) 415-258
 Adószám: 10101489-2-09 23

Tar János
 Vezérigazgató

Kiadás dátuma: 2021.08.10.

Jelen dokumentum visszavonásig érvényes.



305/2011/EU rendelet és 275/2013 (VII.16.) Kormányrendelet szerint

TELJESÍTMÉNYNYILATKOZAT

1., A terméktípus egyedi azonosító kódja:

Kör keresztmetszetű légszatórnák és idomok

2., Típus-, tétel- vagy sorozatszám vagy egyéb ilyen elem, amely lehetővé teszi az építési termék azonosítását a 11. cikk (4) bekezdésében előírtaknak megfelelően:

Kör légszatórna (SH, SN), Idomok (CSK, IK, CS, K, D, ELBOW, TR, TRB, NY, KSZD, ESZD, LRI, KLR, P, RSV,)

Munkaszám: 21433

Létesítmény: Budapest XIII. Kisgömb u. 26.

Vevő: Konzol 2000Kft

3., Az építési terméknek a gyártó által meghatározott rendeltetése vagy rendeltetései az alkalmazandó műszaki előírással összhangban:

Kör keresztmetszetű légszatórnák és idomok

Levegő szállítására szolgáló C- és B-tömörégi osztályú kör keresztmetszetű légszatórna gumitömítéssel ellátott idomokkal

4., A gyártó és forgalmazó neve, bejegyzett kereskedelmi neve, illetve bejegyzett védjegye, valamint értesítési címe a 11. cikk (5) bekezdésében előírtaknak megfelelően:

Gyártó neve: Radel & Hahn Zrt.

Gyártó címe: 4028 Debrecen, Kassai út 92.

Gyártó elérhetősége: Tel. 06-52-448441, Fax 06-52415258, info@radel-hahn.hu

5., Az építési termékek teljesítménye állandóságának értékelésére és ellenőrzésére szolgáló, az V. sz. mellékletben szereplők szerinti rendszer vagy rendszerek:

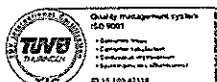
4. rendszer

6., Nem harmonizált szabványok, műszaki dokumentációk által szabályozott építési termékekre vonatkozó gyártói nyilatkozat esetén: **MSZ EN ISO 9001:2015**

1 / 2 oldal



Radel & Hahn Klimatechnik GmbH
A-7210 Mattersburg, Wienerstrasse 22.
Tel.: 0043 (0) 2626 62744
Fax: 0043 (0) 2626 65259
✉ office@radel-hahn.at
www.radel-hahn.at
www.radel-hahn.com



Radel & Hahn Zrt.
H-4028 Debrecen, Kassai út 92.
Tel.: 0036-52/448-441
Fax: 0036-52/415-258
✉ info@radel-hahn.hu
www.radel-hahn.hu

7., A nyilatkozat szerinti teljesítmény

<i>Alapvető tulajdonságok</i>	<i>Teljesítmény</i>	<i>Vizsgálati és egyéb szabványok</i>
Anyagminőség	DX51D horganyzott acél	MSZ EN 10346:2009 MSZ EN ISO 9445:2006
Méret jellemzők, tűrések	szabvány szerinti	MSZ EN 1506:2007
Légtömörség	"B" légtömörégi osztály	MSZ EN 12237:2003 MSZ EN 15727:2010

8., Az 1. és 2. pontban meghatározott termék teljesítménye megfelel a 7. pontban feltüntetett, nyilatkozat szerinti teljesítménynek.

E teljesítménynyilatkozat kiadásáért kizárólag a 4. pontban meghatározott gyártó a felelős.

A gyártó nevében és részéről aláíró személy:

radel & hahn zrt
 IPARI-, SZOLGÁLTATÓ ÉS KERESKEDELMI ZRT
 H-4028 Debrecen, Kassai út 92
 Tel.: (52) 448-441 Fax: (52) 415-258
 Adószám: 10701489-2-09 23

Tar János
 Vezérigazgató

Kiadás dátuma: 2021.08.10.

Jelen dokumentum visszavonásig érvényes.



Megrendelés termék szállításra / Szolgáltatás



Megrendelő adatai	
Ügyintéző:	Török Csaba (06 30/291-5322)
Projekt munkaszám:	21433
Megnevezése:	Kisgömb utcai táncház
Projekt helyszíne:	1135-Budapest, Kisgömb utca 26.
Paritás:	DAP átadás a megjelölt helyen, a vevő oldalán
Szállítási cím:	Projekt helyszínével megegyező
Átvevő név:	Török Csaba
telefon:	0630-291-5322
email:	torok.csaba@radel-hahn.hu

Rendelés száma:	21433-R-AIRV-2107281003
Megrendelés dátuma:	2021.07.28

Szállító adatai	
Cégnév:	AIRVENT Légtechnikai Zrt. (Budapest)
Címe:	1103 Budapest, Kőér u. 3/b.
Ügyintéző/Kapcsolattartó neve:	Ferencz Ildikó
email:	ferencz.ildiko@airvent.hu
telefon:	06 30 374 4610
fax:	-
Szállítói ajánlat száma:	
dátuma:	2021.07.28

Kereskedelmi feltételek:		Üzembehelyezés szükséges:	
Pénznem:	HUF		nem
Fizetési határidő (számlabeérkezéstől):	30 nap	Dokumentáció papíralapú:	3 példány
Garanciális időtartam:	12 hónap	digitális:	1 példány
Garanciális időszak kezdete:	beüzemelésétől	Szállítási határidő:	2021.07.30

Megrendelt termék(ek):					Az egységárak ÁFA nélkül értendőek!		
Pozíció	Megnevezés	Méret / Típus	M.e.	Menny.	Egységár (nettó)	Kedv.	Összár (nettó)
10	FDMR-200 .01 TÚZCSAPPANTYÚ, KÉZI		db	2	34 756 Ft	35,0%	45 183 Ft
20	FDMR-250 .01 TÚZCSAPPANTYÚ, KÉZI		db	2	38 622 Ft	35,0%	50 209 Ft
30	FDMR-315 .01 TÚZCSAPPANTYÚ, KÉZI		db	2	44 552 Ft	35,0%	57 918 Ft
Mindösszesen (nettó):							153 309 Ft

Kérjük megrendelésünket visszaigazolni, a visszaigazoláson és a számlájukon megrendelési számunkat feltüntetni, számlájukat az átvételi igazolás csatolásával levelezési címünkre (Radel&Hahn Zrt. 4028 Debrecen, Kassai út 92.) postai úton megküldeni!	
Aláírás:	Megjegyzés:



FDMR tűzvédelmi csappantyú





I. Tartalom

II. Általános információk	3
1. Leírás	3
2. Kiviteli változatok	4
3. Kommunikációs és vezérlőegységek	17
4. Méretek, súlyok és hasznos felület	20
5. Elhelyezés és összeszerelés	26
6. Szereléssel kapcsolatos útmutatások	28
7. Vékony aknafalak	67
8. Szerelőkeretek	70
9. Függesztőrendszer	78
III. Műszaki adatok	82
10. Nyomásvesztés	82
11. Helyi nyomásvesztés-tényező	83
12. Zaj adatok	83
IV. Anyag, felületkezelés	85
13. Anyag	85
V. Ellenőrzés, vizsgálat	86
14. Ellenőrzés	86
15. Vizsgálat	86
VI. Szállítás és tárolás	86
16. Logisztikai feltételek	86
17. Garancia	87
VII. Összeszerelés, kezelés, karbantartás és ellenőrzés	87
18. Összeszerelés	87
19. Üzembe helyezés és vizsgálatok	88
20. Tartalékalkatrészek	89
21. A működtető szerkezet funkcióinak helyreállítása a biztosíték kioldása után	89
VIII. Rendeléssel kapcsolatos információk	90
22. Rendelési kulcs	90
IX. Termékadatok	91
23. Adattábla	91

Érvényes: 2019/09/17-től Dokumentum azonosító: TPM 140/19

Ezek a műszaki leírások ismertetik az FDMR tűzvédelmi csappantyúk gyártott méreteinek és modelljeinek választékát, fő méreteit és alkalmazási területét (a következőkben „tűzvédelmi csappantyú”-nak nevezzük). Az ezekben foglaltak kötelezők a gyártási, tervezési, rendelési, szállítási, raktározási, összeszerelési, üzemeltetési, karbantartási és működőképességi ellenőrzésekre vonatkozóan.

II. Általános tájékoztató

1. Leírás

1.1. Tűzvédelmi csappantyúk

A tűzvédelmi csappantyú a légtechnikai berendezések légcsatornájában elhelyezett olyan védelmi szerkezet, amely megakadályozza a tűz és az égéstermék tovább terjedését az egyik tűzszakaszból egy másik tűzszakaszba úgy, hogy a légcsatornát tűzgátló szerkezetekkel lezárja.

A csappantyú lapátja zárórugó, vagy a visszaállító rugó működtető szerkezete segítségével automatikusan lezárja a légcsatornában áramló levegő útját. A zárórugót az indítógomb megnyomásával, vagy egy olvadóbetét által kiadott impulzus segítségével lehet működésbe hozni. A működtető mechanizmus visszaállító rugója beindul, ha a BAT termoelektromos kioldó szerkezet működésbe lép, ha megnyomják a BAT-on lévő visszaállító gombot, vagy a működtető szerkezet elektromos tápellátása megszűnik.

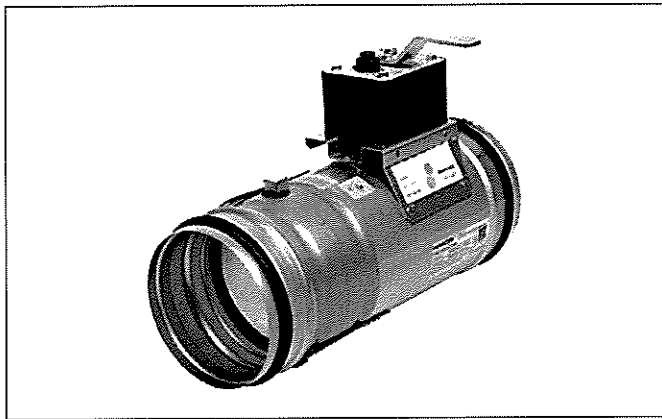
A lapát bezárása után a csappantyú szilikon tömítéssel véd a füstgáz behatolása ellen. Az ügyfél kívánságára a csappantyút szilikonmentes tömítéssel is szállíthatjuk. Ugyanakkor a csappantyú lapátját olyan anyagba ágyazzák be, amely a növekvő hőmérséklet hatására kitér, és hermetikusan lezárja a légcsatornát.

A csappantyúkon ellenőrző nyílást alakítottak ki, amelynek segítségével az elzárószerkezetet és az ellenőrző nyílást a vezérlőegység működtetése és kezelése szempontjából, spirálkorcolt csőbe építhető változat esetén, nagyon előnyös helyzetben lehet állítani, a csappantyú kismértékű elforgatásával.

1. ábra FDMR - működtető szerkezettel



2. ábra FDMR - mechanikus működtetéssel



1.2. A csappantyú jellemzői

- Az EN 15650 szabvány szerinti CE tanúsítással rendelkezik
- Az EN 1366-2 szabványnak megfelelően ellenőrizve
- Osztályba sorolás az EN 13501-3+A1 szabvány szerint
- Tűzállósági osztályba sorolás EIS 120, EIS 90, EIS 60
- Az EN 1751 szabvány szerint a készülékházon keresztüli szivárgás C osztály, zárólapon keresztüli szivárgás 2. osztály
- Ciklusteszt: C osztály 10000 az EN 15650 szabvány szerint
- Korrozóállóság az EN 15650 szabvány szerint
- EK Megfelelőségi tanúsítvány száma 1391-CPR-2019/0160
- Teljesítménynyilatkozat száma PM/FDMR/01/19/1
- A tűzvédelmi csappantyúk egészségügyi értékelése – jelentés száma

1.3. Működési feltételek

A csappantyú megfelelő működése az alábbi feltételek teljesülése esetén biztosítható:

- a) A levegő maximális áramlási sebessége: 12 m/mp. Maximális nyomáskülönbség: 1200 Pa
- b) Biztosítani kell az áramlás egyenletes eloszlását a csappantyú teljes belső felületén.

A csappantyú működése nem függ a levegő áramlásának irányától. A csappantyút tetszőleges helyzetben lehet beépíteni. A tűzvédelmi csappantyúkat olyan rendszerekhez tervezték, amelyek nem szállítanak koptató hatású, vegyi, és tapadó részecskéket. A tűzvédelmi csappantyúkat mérséklet égővi makroklímikus viszonyok közötti üzemeltetésre tervezték, az EN 60 721-3-3 szabványban foglaltaknak megfelelően. A telepítés helyén megengedett hőmérséklet -30°C és $+50^{\circ}\text{C}$ között van.

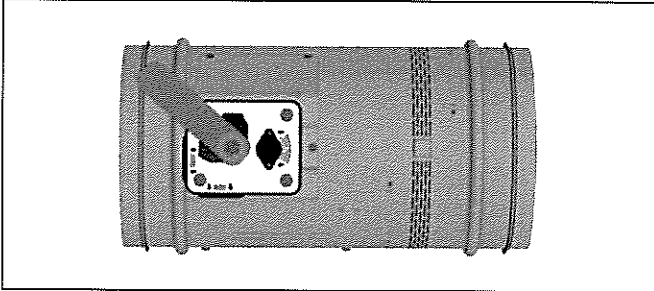
2. Kiviteli változatok

2.1. Kivitel mechanikus működtetéssel

Kiviteli változat .01

Kivitel mechanikus működtetéssel, olvadóbetéttel, amely elindítja az elzárószervezetet, amennyiben a hőmérséklet elérte a 72°C névleges indítási értéket. Az elzárószervezet automatikus beindítása 70°C hőmérséklet alatt nem történik meg. Abban az esetben, ha más indítóhőmérsékletre lenne szükség, olvadóbetétek kaphatók +104°C, vagy +147°C névleges indítási hőmérsékletekkel is (ezt a igényt a megrendeléskor fel kell tüntetni).

3. ábra Kiviteli változat .01



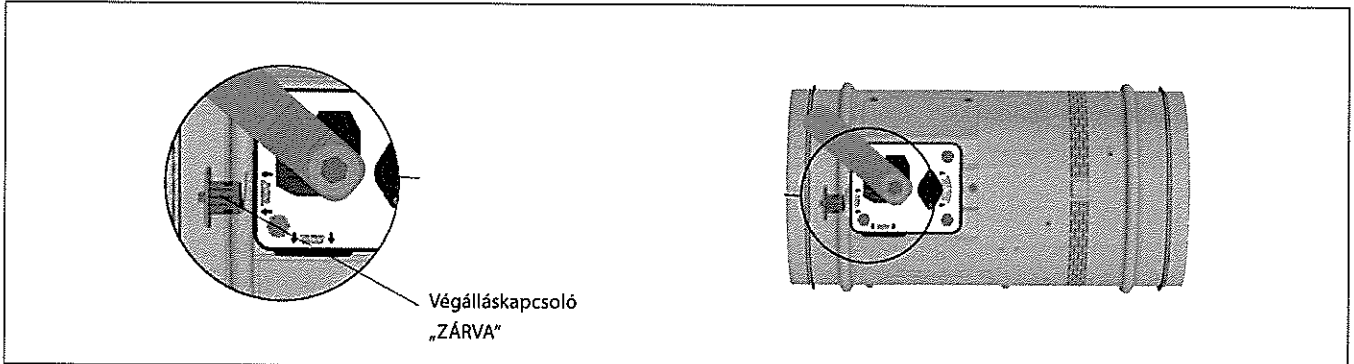
FIGYELEM:

A szerkezetet M1 és M4 között négy különböző kivitelben gyártjuk, amelyek csupán a tűzvédelmi csappantyú zárását végző belső rugó által kifejtett erőben különböznek egymástól. A tűzvédelmi csappantyú méretéhez minden esetben hozzá kell rendelni a mozgató szerkezet méretét – 4.1.1 táblázat. Nem javasoljuk más méretű mozgatószerkezet használatát, mint amit a gyártó megadott, különben fennáll a tűzvédelmi csappantyú megrongálódásának veszélye.

Kiviteli változat .11

A .01 mechanikus működtetéssel felszerelt kiviteli változatot ki lehet egészíteni végállás-kapcsolóval, amely jelzi a csappantyú lapátjának „ZÁRVA” helyzetét. A vezetéket közvetlenül a végálláskapcsolóra kell csatlakoztatni.

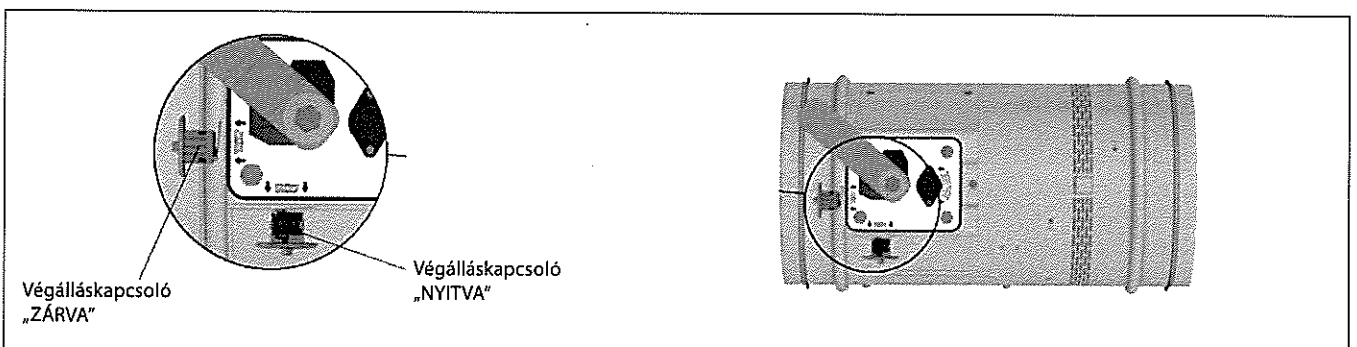
4. ábra Kiviteli változat .11



Kiviteli változat .08

A .01 mechanikus működtetéssel felszerelt kiviteli változatot ki lehet egészíteni végállás-kapcsolóval, amely jelzi a csappantyú lapátjának „ZÁRVA” és „NYITVA” helyzetét. A végálláskapcsolót a csappantyú burkolatán keresztül kell csatlakoztatni, a kábeleket közvetlenül a végálláskapcsolóra kell kötni.

5. ábra Kiviteli változat .08



6. ábra G905-300E03W1 végálláskapcsoló

1(COM) – fekete színű vezeték
 2(NC) – szürke színű vezeték
 4(NO) – kék színű vezeték

Névleges feszültség és maximum áramerősség	AC 230 V / 5 A
Védettségi fokozat	IP 67
Üzemi hőmérséklet	-25 °C ... +120 °C

Ezt a végálláskapcsolót az alábbi két változatban lehet bekötni:

- a) NYITÓÉRINTKEZŐ ha a kar mozgásban van – csatlakoztassa az 1+2 vezetékeket
- b) ZÁRÓÉRINTKEZŐ ha a kar mozgásban van – csatlakoztassa az 1+4 vezetékeket

7. ábra Váltás mechanikus kivitelről motoros kivitelre és fordítva – DN 100 – DN 315

Tétel:

- 1 Csappantyú
- 2 Szerelőlap
- 3 Működtető szerkezet
- 4 Hőmérséklet-érzékelő
- 5 Szerelőlap
- 6 Működtető szerkezet
- 7 Olvadóbetét

8. ábra Váltás mechanikus kivitelről motoros kivitelre és fordítva – DN 355 – DN 800

Tétel:

- 1 Csappantyú
- 2 Szerelőlap
- 3 Működtető szerkezet
- 4 Hőmérséklet-érzékelő
- 5 Szerelőlap
- 6 Működtető szerkezet
- 7 Olvadóbetét
- 8 Érzékelő címke
- 9 Furat hőmérséklet-érzékelő számára /
érzékelő címke
- 10 Ellenőrző nyílás fedél
- 11 Furat kamera számára

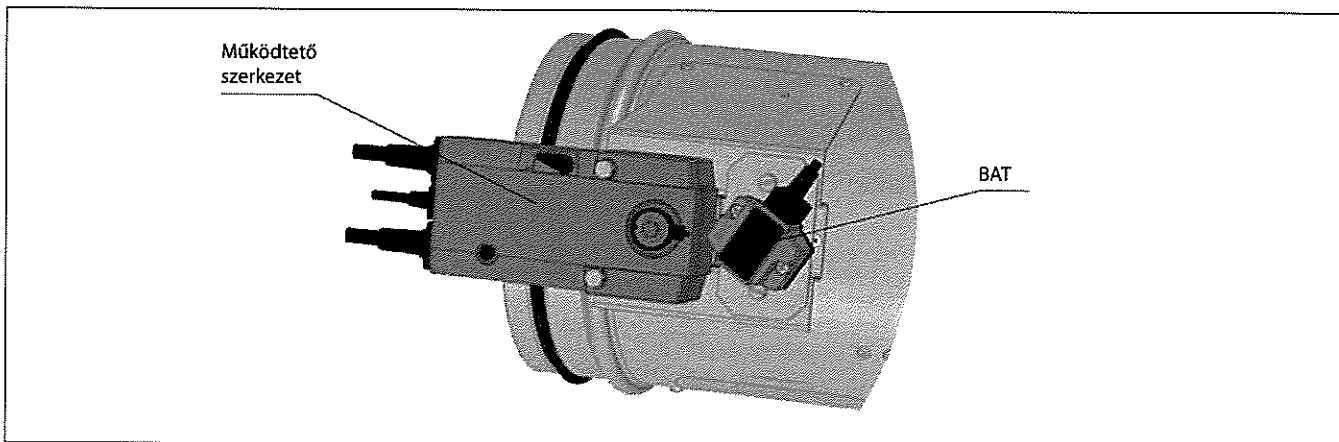
2.2. Kivitel működtető szerkezettel

Kiviteli változat .40, .50

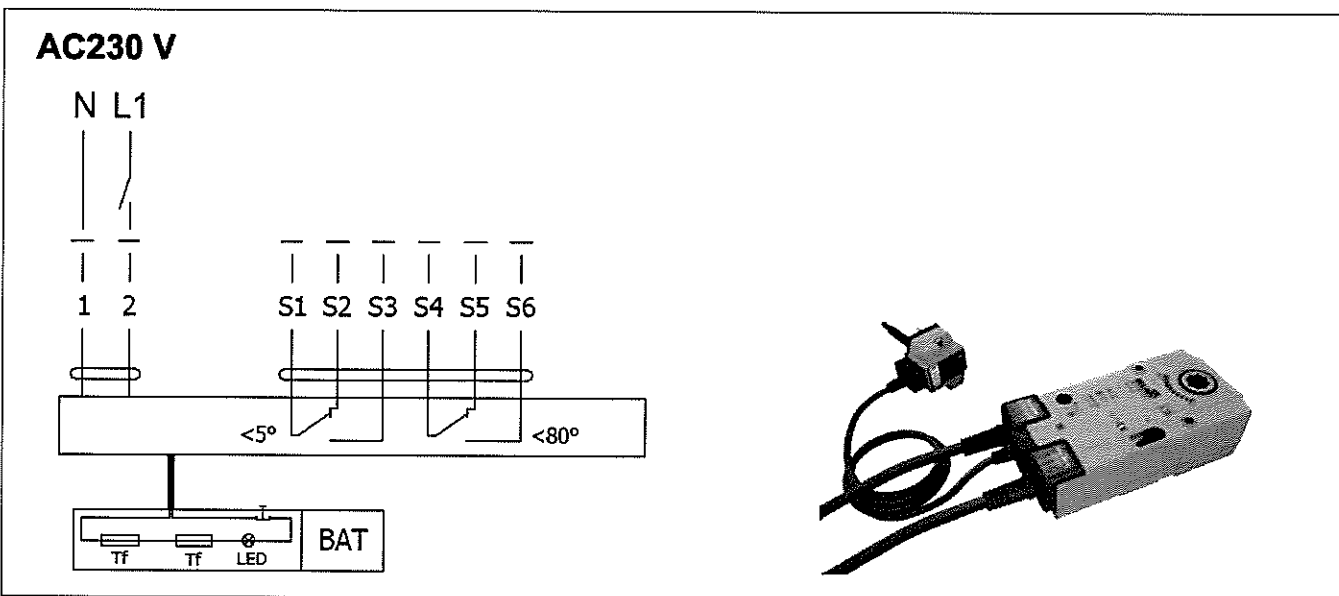
A tűzvédelmi csappantyúkat méretüknek megfelelő Belimo működtető szerkezettel, visszaállító rugóval és BFL, BFN vagy BF sorozatú termoelektromos működtető szerkezettel látták el (a következőkben „működtető szerkezet”-nek nevezzük). Az AC/DC 24 V vagy AC 230 V tápellátásra történő csatlakoztatás után a működtető szerkezet a csappantyú lapátját „NYITOTT” működési helyzetbe mozgatja, és ezzel egyidőben előfeszíti a visszaállító rugóját. Amíg a működtető szerkezet feszültség alatt áll, a csappantyú lapátja „NYITOTT” és a visszaállító rugó előfeszített állásban marad. A csappantyú lapátjának „ZÁRT” állásból teljesen „NYITOTT” állásba történő mozgatásához legfeljebb 120 másodpercre van szükség. Ha a működtető szerkezet tápellátása megszakad (áramszünet miatt, vagy mert a BAT termoelektromos kioldó szerkezeten megnyomták a visszaállító gombot), a visszaállító rugó a csappantyú lapátját „ZÁRT” hibaállásba viszi. A csappantyú lapátjának „NYITOTT” állásból „ZÁRT” állásba mozgatásához legfeljebb 20 másodpercre van szükség. Ha a tápellátás helyreáll (a lapát lehet bármilyen helyzetben) a működtető szerkezet ismét megkezdí a csappantyú lapátjának mozgatását a „NYITOTT” helyzetbe.

A BAT termoelektromos kioldó szerkezet, amely két olvadóbetétet Tf1 és Tf2 tartalmaz, a működtető szerkezet részét képezi. Ezek az olvadóbetétek akkor aktiválódnak, ha a hőmérséklet túllépi a +72°C értéket (a Tf1 olvadóbetét akkor, ha a hőmérséklet a csappantyú körül, a Tf2 olvadóbetét pedig, ha a hőmérséklet a légtechnikai csővezetékben belül meghaladja ezt az értéket). Ha a Tf1, vagy a Tf2 olvadóbetét aktiválódott, a tápellátás tartósan és visszafordíthatatlan módon megszakad, és a működtető szerkezet az előfeszített rugó segítségével megváltoztatja a csappantyú lapátjának helyzetét és a „ZÁRVA” üzemzavar pozícióba viszi. A csappantyú lapátja „NYITOTT” és „ZÁRT” helyzetének kijelzésére két végálláskapcsoló szolgál.

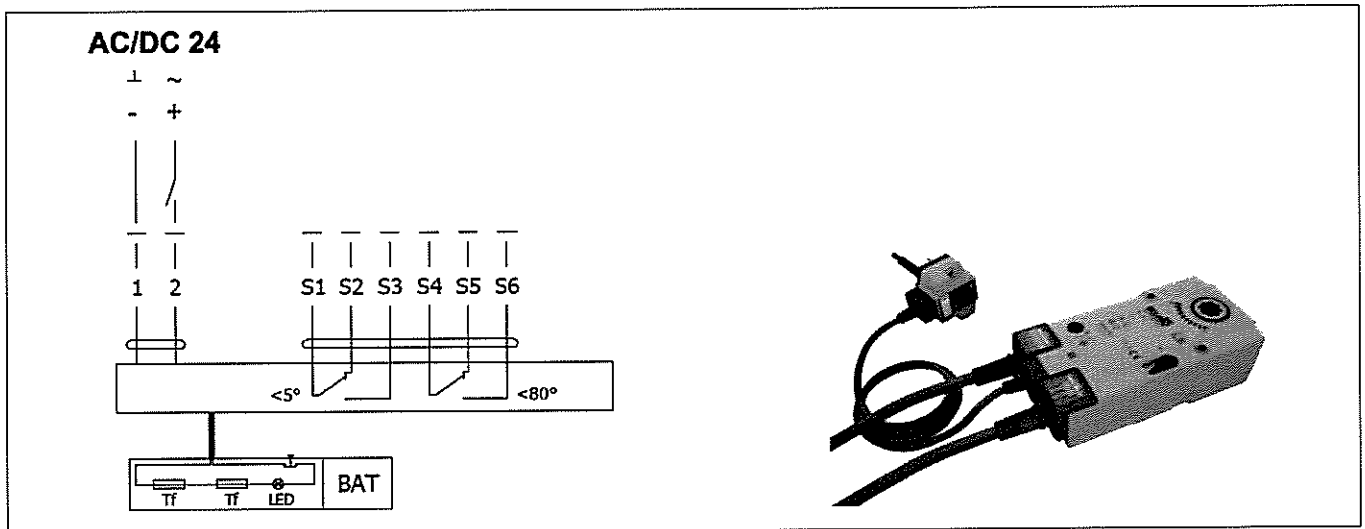
9. ábra Kiviteli változat: .40, .50



10. ábra BELIMO BFL (BFN) 230-T működtető szerkezet



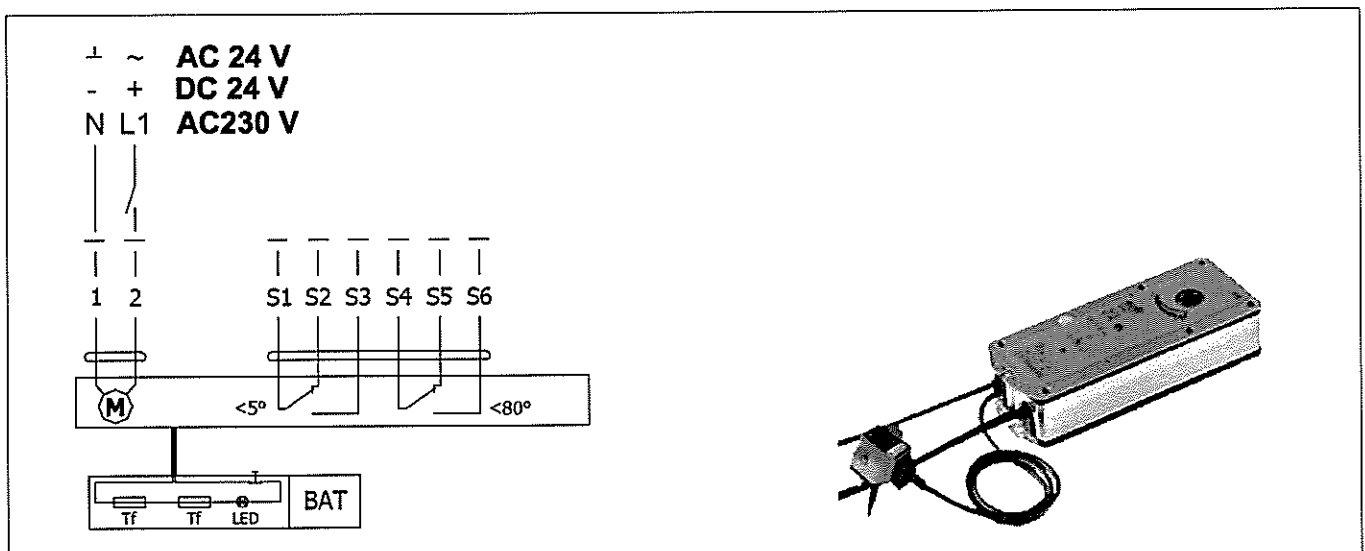
11. ábra BELIMO BFL (BFN) 24-T(-ST) működtető szerkezet



2.2.1. táblázat BELIMO BFL24-T(-ST), BFN 24-T(-ST), BFL 230-T és BFN 230-T működtető szerkezet

BELIMO működtető szerkezet	BFL, BFN 230-T	BFL, BFN 24-T(-ST)
Névleges feszültség	AC 230 V 50/60 Hz	AC 24 V 50/60 Hz DC 24 V
Teljesítményfelvétel - mozgítás közben - nyugalmi állapotban	3,5/5 W 1,1/2,1 W	2,5/4 W 0,8/1,4 W
Méretezés	6,5/10 VA (I _{max} 4 A @ 5 ms)	4/6 VA (I _{max} 8,3 A @ 5 ms)
Védelmi osztály	II	III
Védettségi fokozat		IP 54
Futásidő - motor - rugóvisszaállítás		< 60 mp ~ 20 mp
Környezeti hőmérséklet - normál üzemmód - biztonsági üzemmód - hőmérséklet nyugalmi helyzetben		-30 °C ... +55 °C A biztonságos pozíció legfeljebb +75°C hőmérsékletig tartható fenn. -40 °C ... +55 °C
Bekötés - motor - segédkapcsoló		kábel 1 m, 2 x 0,75 mm ² (BFL/BFN 24-T-ST) 3 tűs dugaszolható csatlakozókkal kábel 1 m, 6 x 0,75 mm ² (BFL/BFN 24-T-ST) 6 tűs dugaszolható csatlakozókkal
Hőkioldók		légcsatorna környezetének hőmérséklete +72°C légcsatornán belül uralkodó hőmérséklet +72°C

12. ábra BELIMO BFL (BFN) 24-T(-ST) működtető szerkezet





2.2.2. táblázat BELIMO BF 24-TN(-ST), BF 230-TN működtető szerkezet

BELIMO működtető szerkezet	BF 24-TN(-ST)	BF 230-TN
Névleges feszültség	AC 24 V 50/60 Hz DC 24 V	AC 230 V 50/60 Hz
Teljesítményfelvétel - mozgítás közben - nyugalmi állapotban	7 W 2 W	8 W 3 W
Méretezés	10 VA (I _{max} 8,3 A @ 5 ms)	12,5 VA (I _{max} 500 mA @ 5 ms)
Védelmi osztály	III	II
Védettségi fokozat	IP 54	
Futásidő - motor - rugóvisszaállítás	140 mp ~ 16 mp	
Környezeti hőmérséklet - normál üzemmód - biztonsági üzemmód - hőmérséklet nyugalmi helyzetben	-30 °C ... +55 °C A biztonságos pozíció legfeljebb +75°C hőmérsékletig tartható fenn. -40 °C ... +55 °C	
Bekötés - motor - segédkapcsoló	kábel 1 m, 2 x 0,75 mm ² (BF 24-T-ST) dugaszolható csatlakozókkal kábel 1 m, 6 x 0,75 mm ² (BF 24-T-ST) dugaszolható csatlakozókkal	
Hőkioldók	Tf1: légcsatorna környezetének hőmérséklete +72°C Tf2 / Tf3: légcsatornán belül uralkodó hőmérséklet +72°C	

Kiviteli változat .41, .51

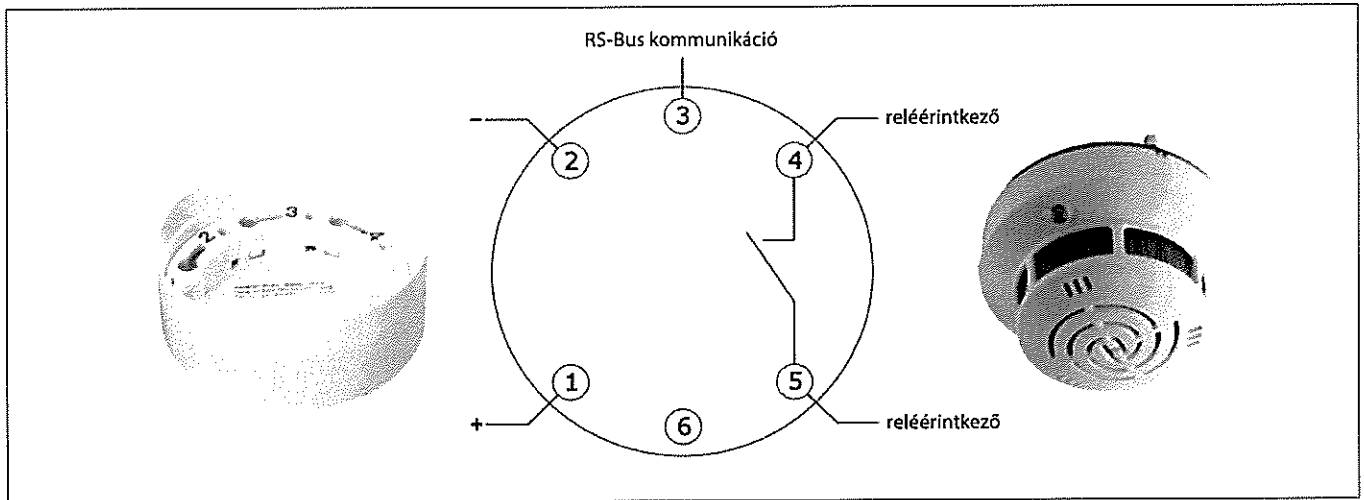
A működtető szerkezettel ellátott 41, vagy 51 kiviteli változatot ki lehet egészíteni ORS 142 K füstérzékelővel. A feszültség lehet AC 230 V, vagy 24 V DC. Az AC 230 V feszültségű kiviteli változatot BKN 230-24-MOD kommunikációs és tápegységgel, valamint BF 24-TN (BFL 24-T, BFN 24-T) működtető szerkezettel látták el.

A füstérzékelő akkor lép működésbe, ha a légcsatornarendszerbe füst jut be. A füstérzékelő deaktiválása akkor következik be, ha a feszültségellátás legalább 2 másodpercre megszakad. A csappantyú lapátja „NYITOTT” és „ZÁRT” helyzetének kijelzésére két végálláskapcsoló szolgál.

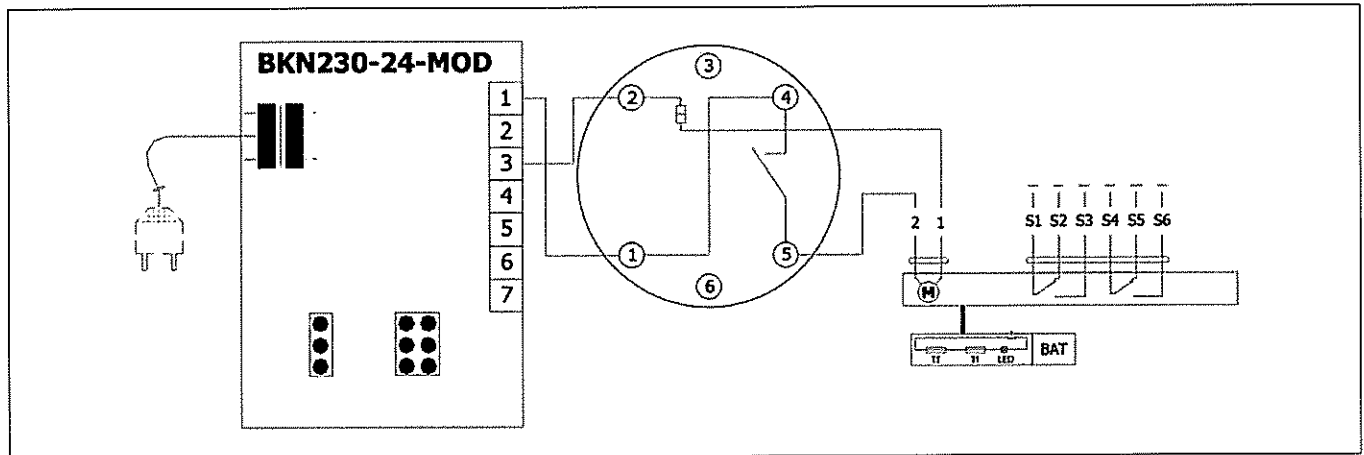
2.2.3. táblázat ORS 142 K optikai füstérzékelő 143A csatlakozóaljzattal

Optikai füstérzékelő	ORS 142 K, 143A csatlakozóaljzattal
Üzemi feszültség	18 ... 28 V DC
Maradvány váltakozó feszültség	< 200 mV
Teljesítményfelvétel, csatlakozóaljzat (működtető szerkezet nélkül)	max. 22 mA
Védettségi fokozat	IP 42
Környezeti hőmérséklet	-20 °C ... +75 °C
Csatlakoztatás - hálózat - motor - BKN kommunikációs és tápegység	Kábel 1 m, 1, 2 és 4 sorkapcsokhoz csatlakoztatva Működtető szerkezet, a 2 és 5 sorkapcsokhoz csatlakoztatva Kábel 1 m, 1, 2, 4 és 5 sorkapcsokhoz csatlakoztatva

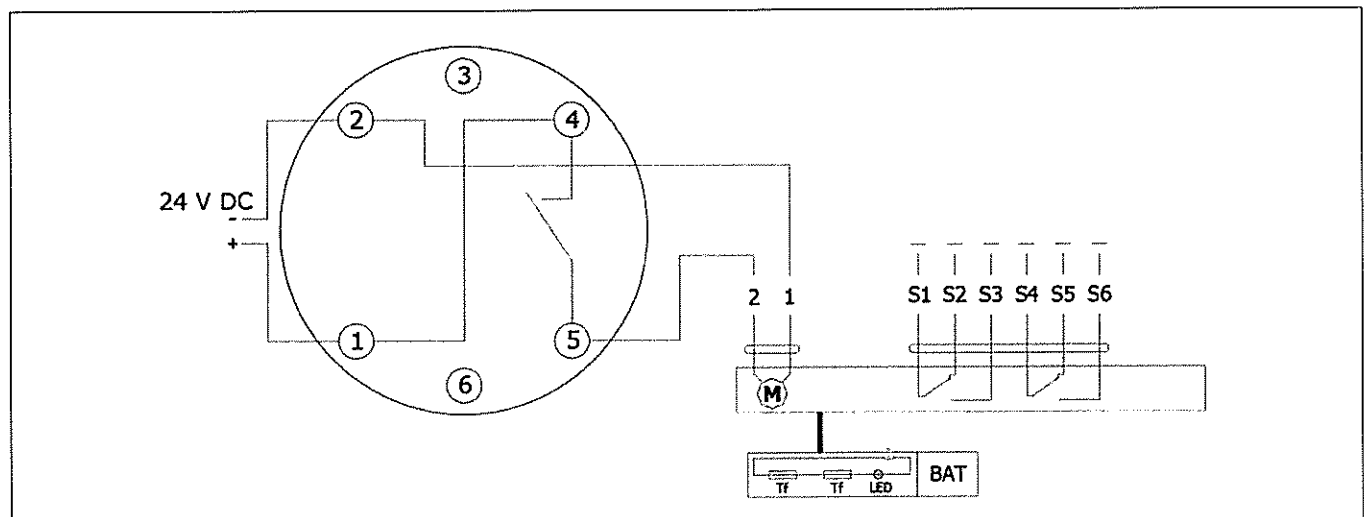
13. ábra ORS 142 K füstérzékelő és 143A csatlakozójzat



14. ábra BF 24-TN (BFL, BFN 24-T) működtető szerkezettel ellátott kiviteli változat, ORS 142 K füstérzékelővel és BKN 230-24-MOD (feszültség: AC 230 V) kommunikációs és tápegységgel



15. ábra BF 24-TN (BFL, BFN 24-T) működtető szerkezettel ellátott kiviteli változat, ORS 142 K füstérzékelővel (feszültség: 24 V DC)



2.3. Kivitel kommunikációs és tápegységgel

Kiviteli változat .60

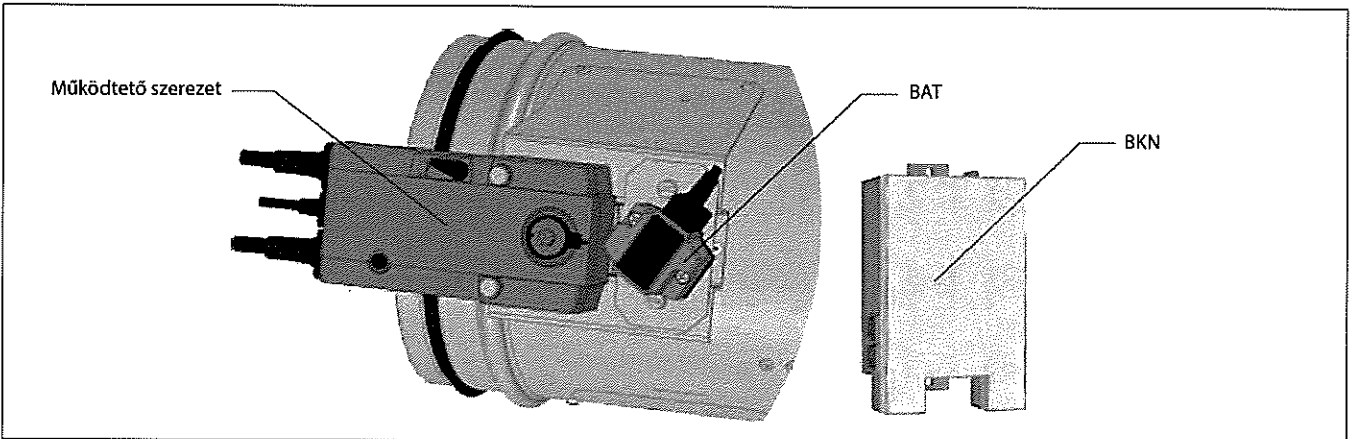
Kiviteli változat BKN 230-24 kommunikációs és tápegységgel és BF 24-TN-ST (BFL 24-T, BFN 24-T) működtető szerkezettel. Egyszerűbbé teszi az elektromos kábelezést és a tűzvédelmi csappantyúk összekapcsolását. Megkönnyíti a helyszíni vizsgálatot, és egyszerű 2-vezetékes csatlakozással lehetővé teszi a tűzvédelmi csappantyúk központi vezérlését és ellenőrzését.

A BKN 230-24 egyrészt úgy működik, mint egy decentralizált hálózati egység a visszaállító rugóval ellátott BF 24-TN-ST (BFL 24-T, BFN 24-T) működtető szerkezet elektromos betáplálására, másrészt pedig 2-vezetékes csatlakozás segítségével továbbítja a csappantyú MŰKÖDIK és HIBA állapotára vonatkozó jelet a központi egységhez. A BEKAPCSOLÁS - KIKAPCSOLÁS vezérlőparancs ugyan azon a vezetéken jut a központi egységtől a BKN 230-24 kommunikációs és tápegységen keresztül a működtető szerkezethez.

A csatlakozás megkönnyítése érdekében a BF 24-TN-ST (BFL 24-T, BFN 24-T) működtető szerkezetet csatlakozódugókkal látták el, amelyeket közvetlenül a BKN 230-24 kommunikációs és tápegységbe kell bedugni. A BKN 230-24 kommunikációs és tápegységet a 230 V-os hálózatra történő csatlakozás érdekében vezetékkel és EURO csatlakozódugóval szerelték fel. A 2-vezetékes huzalozást a 6 és 7 sorkapocs felhasználásával csatlakoztatják a BKN 230-24 kommunikációs és tápegységre. Amennyiben a mozgatót a központi egységből érkező jel nélkül kell vezérelni, a bekapcsolást a 3 és 4 sorkapcsok áthidalásával lehet elvégezni. A BKN 230-24 kommunikációs és tápegységen lévő zöld színű LED jelzőlámpa világít, ha az egység feszültség alatt van (AC 24 V).

Ha a BAT termoelektromos kioldó szerkezeten lévő gombot megnyomják, vagy a tápellátást megszakítják (pl. ELEKTROMOS TŰZJELZÉS útján) a csappantyú „HIBA” állapotra vált.

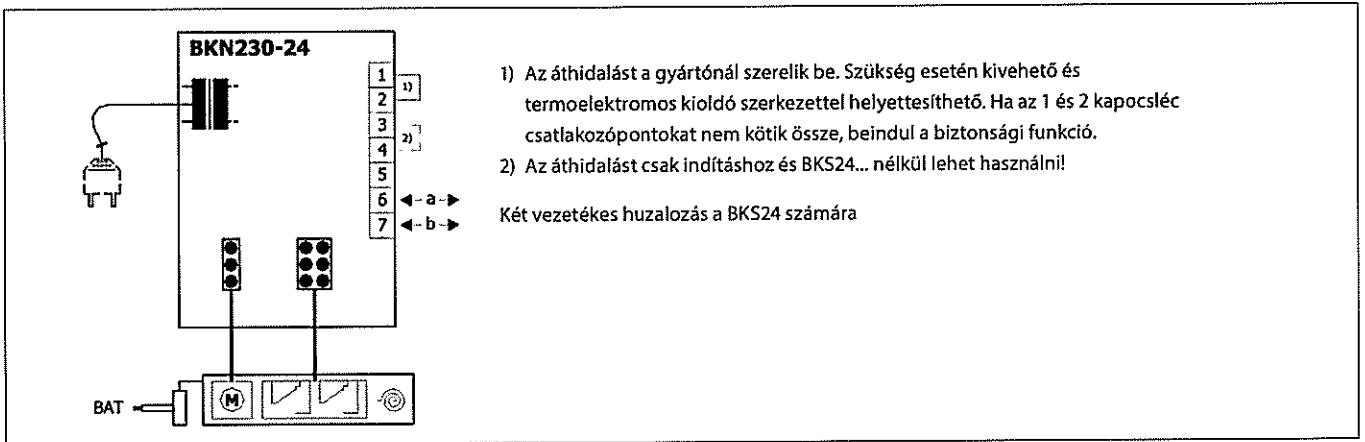
16. ábra Kiviteli változat BKN 230-24, BKN230-24-C-MP vagy BKN 230-24-MOD kommunikációs és tápegységgel
A BKN kommunikációs és tápegységet fel lehet szerelni egy konzolra, vagy külön is el lehet helyezni.



2.3.1. táblázat Kommunikációs és betáplálási eszköz BKN 230-24

Kommunikációs és tápegység	BKN 230-24
Névleges feszültség	AC 230 V 50/60Hz
Teljesítményfelvétel	3,5 W (üzemi állapot)
Méretezés	11 VA (beleértve a működtető szerkezetet rugóvisszaállással együtt)
Védelmi osztály	II
Védettségi fokozat	IP 40
Környezeti hőmérséklet	-20°C ... +50°C
Csatlakoztatás	
- hálózat	kábel 0,9 m, EURO 26-os típusú csatlakozódugóval
- motor	6 pólusú csatlakozó, 3 pólusú csatlakozó
- kapocsléc	csavaros csatlakozók 2x1,5 mm ² kábelhez

17. ábra BKN 230-24 kommunikációs és tápegység BF 24-TN-ST (BFL 24-T-ST, BFN 24-T-ST) működtető szerkezettel



Kiviteli változat .60

Kiviteli változat BKN 230-24 kommunikációs és tápegységgel és BF 24-TN-ST (BFL 24-T, BFN 24-T) működtető szerkezettel. Egyszerűbbé teszi az elektromos kábelezést és a tűzvédelmi csappantyúk összekapcsolását. Megkönnyíti a helyszíni vizsgálatot, és egyszerű 2-vezetékes csatlakozással lehetővé teszi a tűzvédelmi csappantyúk központi vezérlését és ellenőrzését.

A BKN 230-24 egyrészt úgy működik, mint egy decentralizált hálózati egység a visszaállító rugóval ellátott BF 24-TN-ST (BFL 24-T, BFN 24-T) működtető szerkezet elektromos betáplálására, másrészt pedig 2-vezetékes csatlakozás segítségével továbbítja a csappantyú MŰKÖDIK és HIBA állapotára vonatkozó jelet a központi egységhez. A BEKAPCSOLÁS - KIKAPCSOLÁS vezérlőparancs ugyan azon a vezetéken jut a központi egységtől a BKN 230-24 kommunikációs és tápegységen keresztül a működtető szerkezethez.

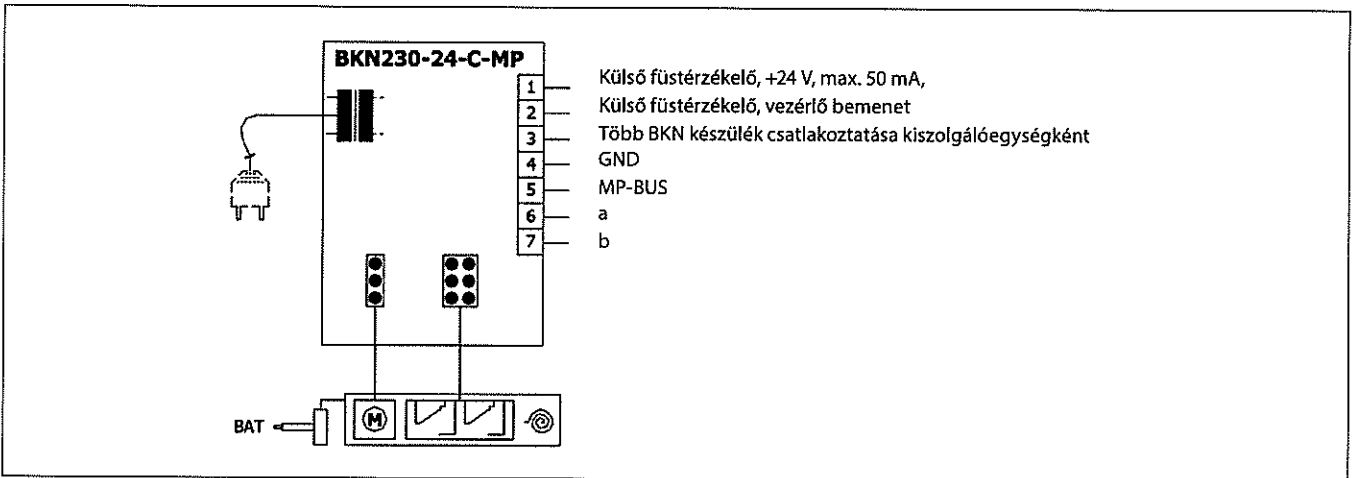
A csatlakozás megkönnyítése érdekében a BF 24-TN-ST (BFL 24-T, BFN 24-T) működtető szerkezetet csatlakozódugókkal látták el, amelyeket közvetlenül a BKN 230-24 kommunikációs és tápegységbe kell bedugni. A BKN 230-24 kommunikációs és tápegységet a 230 V-os hálózatra történő csatlakozás érdekében vezetékkel és EURO csatlakozódugóval szerelték fel. A 2-vezetékes huzalozást a 6 és 7 sorkapocs felhasználásával csatlakoztatják a BKN 230-24 kommunikációs és tápegységre. Amennyiben a mozgatót a központi egységből érkező jel nélkül kell vezérelni, a bekapcsolást a 3 és 4 sorkapcsok áthidalásával lehet elvégezni. A BKN 230-24 kommunikációs és tápegységen lévő zöld színű LED jelzőlámpa világít, ha az egység feszültség alatt van (AC 24 V).

Ha a BAT termoelektromos kioldó szerkezeten lévő gombot megnyomják, vagy a tápellátást megszakítják (pl. ELEKTROMOS TŰZJELZÉS útján) a csappantyú „HIBA” állapotra vált.

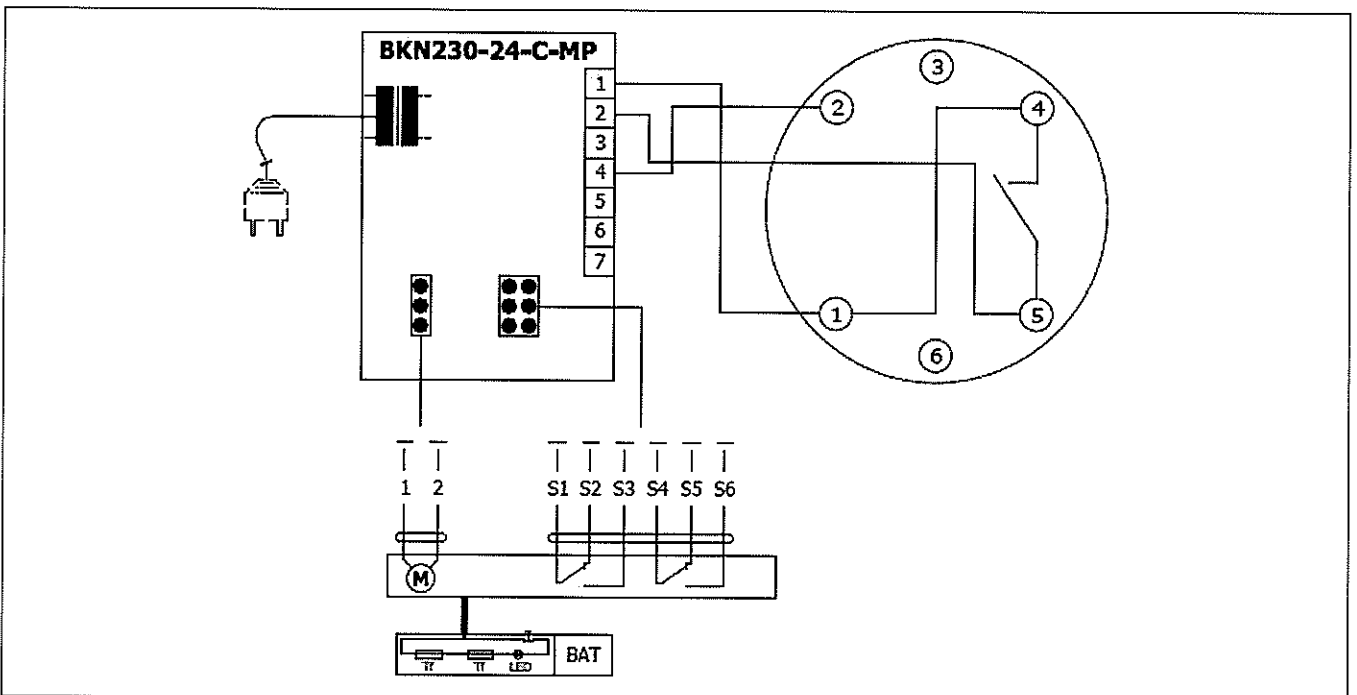
2.3.2. táblázat BKN 230-24-C-MP kommunikációs és tápegység

Kommunikációs és tápegység	BKN 230-24-C-MP
Névleges feszültség	AC 230 V 50/60Hz
Teljesítményfelvétel	3,5 W (üzemi állapot)
Méretezés	10 VA (beleértve a működtető szerkezetet rugóvisszaállással együtt)
Védelmi osztály	II
Védettségi fokozat	IP 40
Környezeti hőmérséklet	-20°C ... +50°C
Hőmérséklet nyugalmi helyzetben	-40°C ... +80°C
Csatlakoztatás	
- hálózat	kábel 0,9 m, EURO 26-os típusú csatlakozódugóval
- motor	6 pólusú csatlakozó, 3 pólusú csatlakozó
- kapcsoléc	csavaros csatlakozók 2x1,5 mm ² kábelhez

18. ábra BKN 230-24-C-MP kommunikációs és tápegység



19. ábra BKN 230-24-C-MP kommunikációs és tápegységgel, BF 24-TN-ST (BFL 24-T-ST, BFN 24-T-ST) működtető szerkezettel, ORS 142 K működtető szerkezettel ellátott kiviteli változat



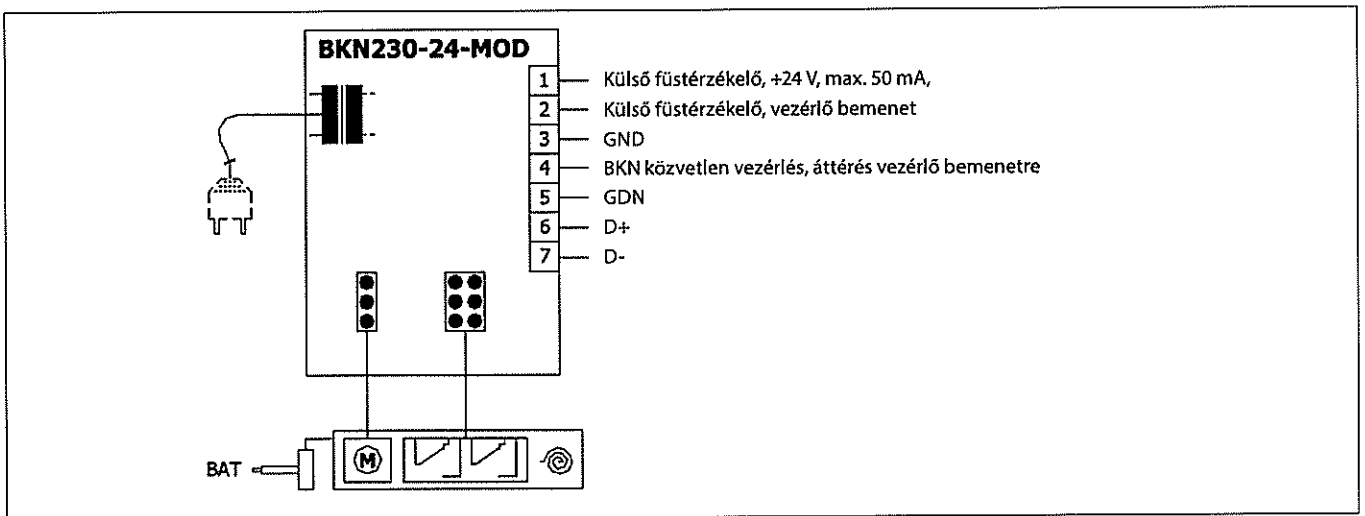
Kiviteli változat .63

A kommunikációs és tápegységgel ellátott .60 kiviteli változatot ki lehet egészíteni ORS 142 K füstérzékelővel. Tápellátáshoz és kommunikációhoz BKN 230-24-MOD egységet használnak, amelyet a BF 24TN-ST (BFL 24T-ST, BFN 24T-ST) egységgel együtt a vezérlő rendszerekkel történő kommunikációra alkalmaznak Modbus RTU vagy BACnet MS / TP protokoll felhasználásával. A vonal vezetékvezését az érvényes RS485 szabályozásban foglaltaknak megfelelően kell elkészíteni. A kommunikáció paraméterezését DIL kapcsoló használatával kell elvégezni. A BKN 230-24-MOD egységet külön fel lehet szerelni, a fő vezérlőrendszerhez történő csatlakoztatás nélkül, amikor is az 1 és 4 csatlakozókapcsok közé áthidalót kell beépíteni. További információkért tekintse meg a Belimo katalógust.

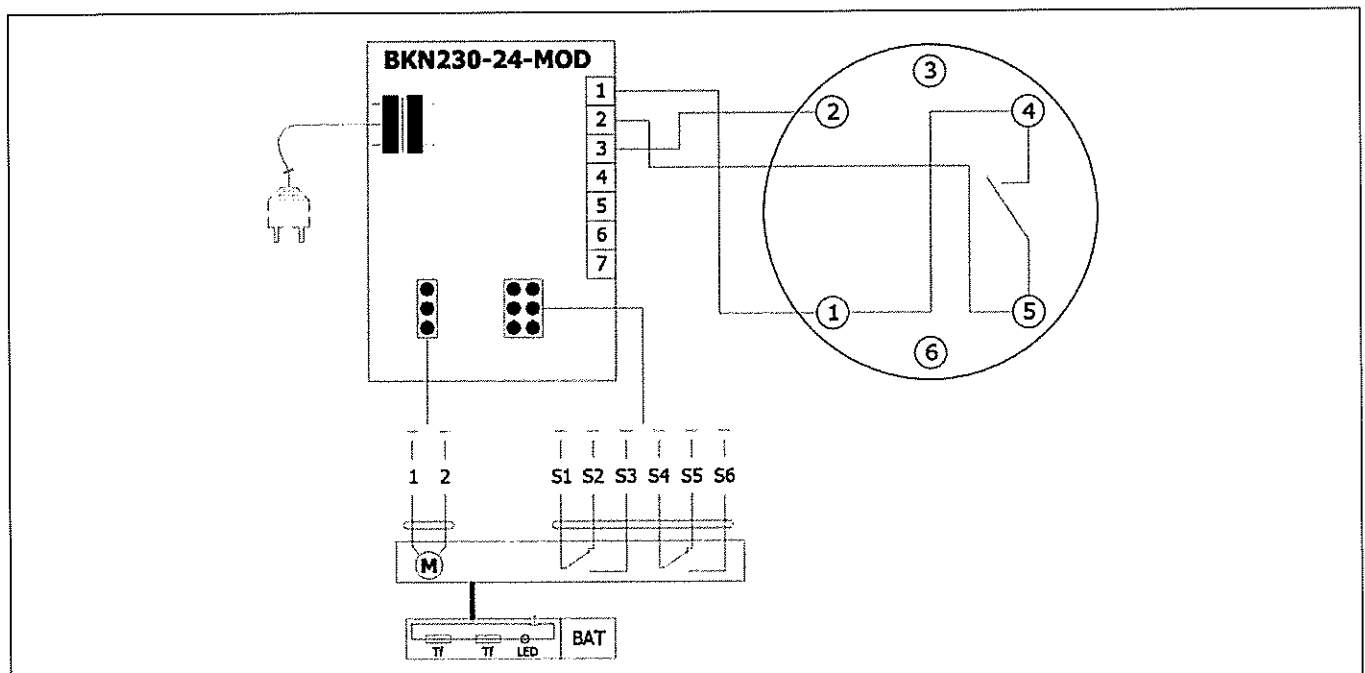
2.3.3. táblázat BKN 230-24-MOD kommunikációs és tápegység

Kommunikációs és tápegység	BKN 230-24-MOD
Névleges feszültség	AC 230 V 50/60 Hz
Teljesítményfelvétel	3 W (üzemi állapot)
Méretezés	14 VA (beleértve a működtető szerkezetet rugóvisszaállással együtt)
Védelmi osztály	II
Védettségi fokozat	IP 40
Környezeti hőmérséklet	-20°C ... +50°C
Hőmérséklet nyugalmi helyzetben	-40°C ... +80°C
Csatlakoztatás	
- hálózat	kábel 0,9 m, EURO 26-os típusú csatlakozódugóval
- motor	6 pólusú csatlakozó, 3 pólusú csatlakozó
- kapcsoléc	csavaros csatlakozók 2x1,5 mm ² kábelhez

20. ábra BKN 230-24-MOD kommunikációs és tápegység BF 24-TN-ST (BFL 24-T-ST, BFN 24-T-ST) működtető szerkezettel



21. ábra BKN 230-24-MOD kommunikációs és tápegységgel, BF 24-TN-ST (BFL 24-T-ST, BFN 24-T-ST) működtető szerkezettel, ORS 142 K füstérzékelővel ellátott kivitelű változat



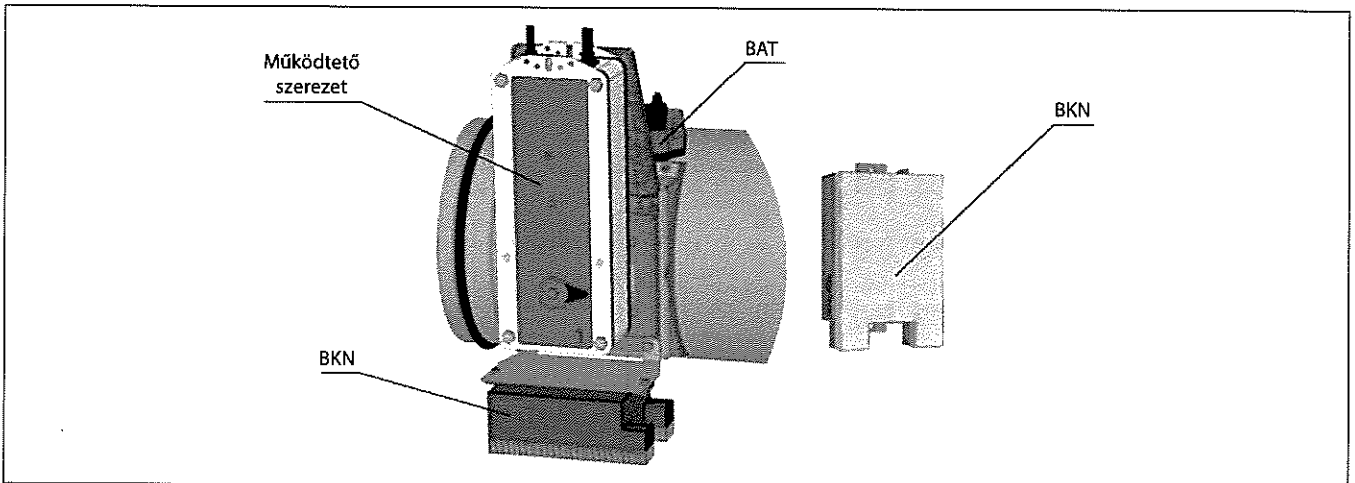
Kiviteli változat .62

Kiviteli változat BKN 230-24MP kommunikációs és tápegységgel és BF 24TL-TN-ST működtető szerkezettel az MP-Bus-hoz történő csatlakozás érdekében. A BKN 230-24MP végzi a BF 24TL-TN-ST tűzvédelmi csappantyú intelligens működtető szerkezete decentralizáltan szükséges tápegységének betáplálását. Így lehet megvalósítani az MP-Bus kommunikációt nagy távolságokra is (akár 800 m távolságra is). 8 Bus csomópontig párhuzamos kapcsolást lehet kialakítani és Master készülékkel lehet vezérelni (DDC, interfésszel). További információkat a Belimo katalógusban talál.

Kiviteli változat .64

Kiviteli változat BKN 230-24LON kommunikációs és tápegységgel és BF 24TL-TN-ST tűzvédelmi csappantyú működtető szerkezetével a vezérlőegységgel történő együttműködéshez, LonWorks technológia alapján. A BKN 230-24LON kommunikációs és tápegység kiegészíti a beépített biztonsági funkciók működtető szerkezetét és átalakítja az MP digitális protokollt a működtető szerkezetről Lon-Talk-ra és vissza. További információkat a Belimo katalógusban talál.

22. ábra BKN 230-24MP vagy BKN 230-24LON kommunikációs és tápegységgel, és BF 24TL-TN-ST működtető szerkezettel ellátott kiviteli változat A BKN kommunikációs és tápegységet fel lehet szerelni egy konzolra, vagy külön is el lehet helyezni.



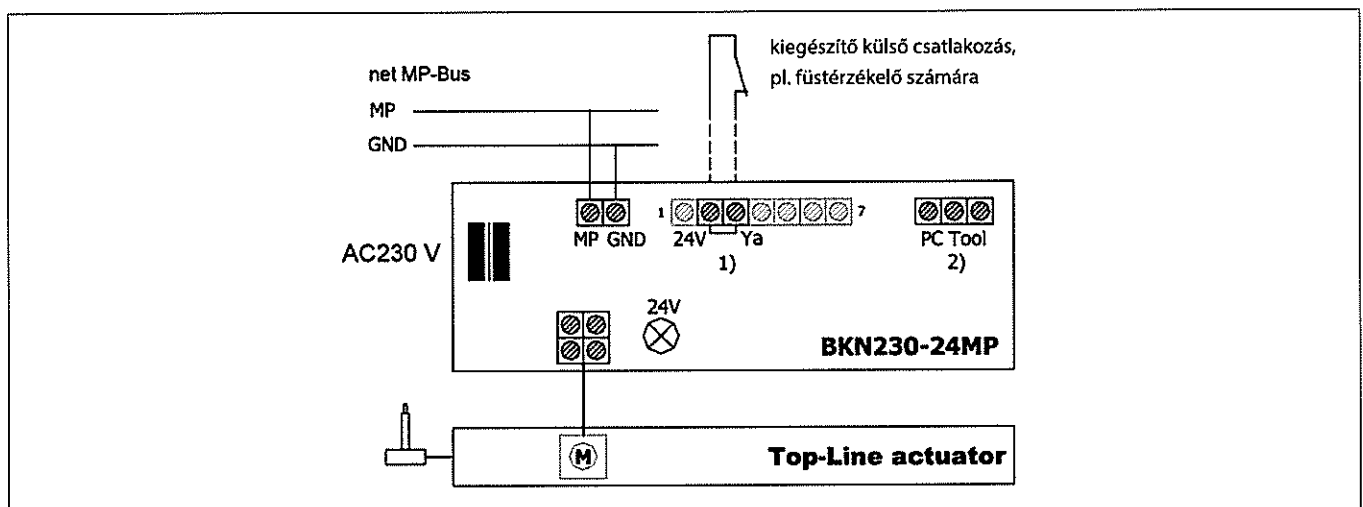
2.3.4. táblázat BELIMO BF 24TL-TN-ST működtető szerkezet

BELIMO működtető szerkezet	BF 24TL-TN-ST
Névleges feszültség	AC 24 V 50/60 Hz DC 24 V
Teljesítményfelvétel - mozgás közben - nyugalmi állapotban	7 W 2 W
Méretezés	10 VA (I _{max} 8,3 A @ 5 ms)
Védelmi osztály	III
Védettségi fokozat	IP 54
Futásidő - motor - rugóvisszaállítás	140 mp ~ 16 mp
Környezeti hőmérséklet	-30 °C ... +50 °C
Hőmérséklet nyugalmi helyzetben	-40 °C ... +50 °C
Csatlakozás	Csatlakozó a BKN 230-24LON és BKN 230-24MP kommunikációs és tápegységhez, kábel 1 m, 4 x 0,75 mm ² , halogénmentes

2.3.5. táblázat BKN 230-24MP kommunikációs és tápegység

Kommunikációs és tápegység	BKN 230-24MP
Névleges feszültség	AC 230 V 50/60 Hz
Teljesítményfelvétel	11 W (működtető szerkezettel együtt)
Méretezés	13 VA (működtető szerkezettel együtt)
Védelmi osztály	II
Védettségi fokozat	IP 40
Környezeti hőmérséklet	-30°C ... +50°C
Hőmérséklet nyugalmi helyzetben	-40°C ... +80°C
Csatlakoztatás	
- hálózat	kábel 1 m, EURO csatlakozódugóval
- motor (BF... - Top)	4-pólusú csatlakozó
- hálózat MP	csavaros csatlakozó, 2-pólusú
- indító szerkezet (váltózó)	csavaros csatlakozó, 2-pólusú
- Top-Line PC-Tool (ZIP-RS232 segítségével)	3-pólusú csatlakozó

23. ábra BKN 230-24MP kommunikációs és tápegység

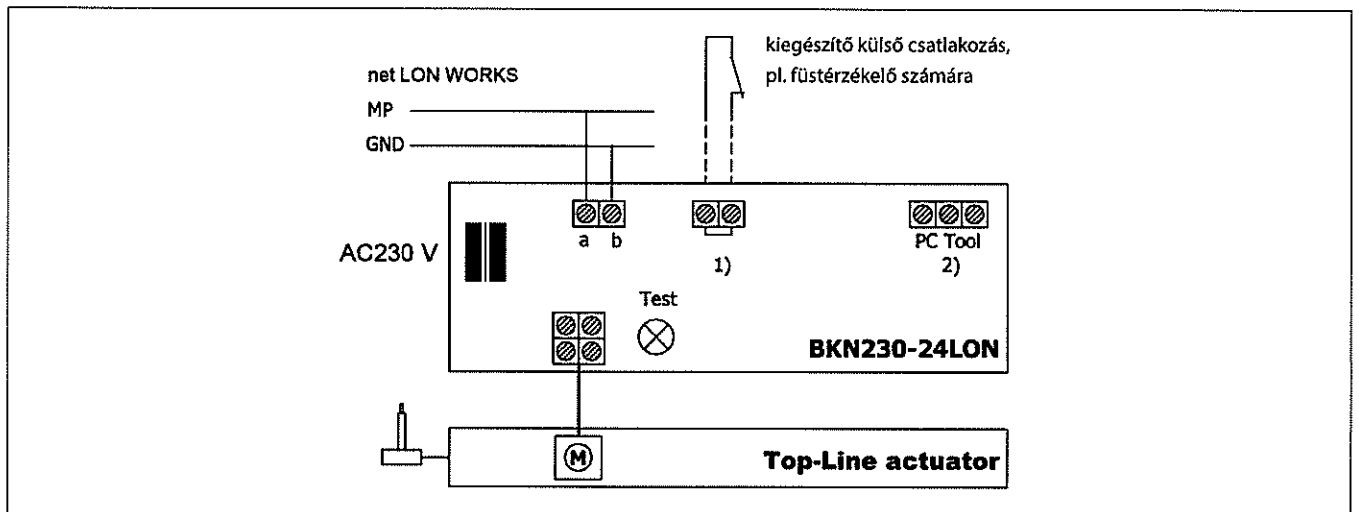


2.3.6. táblázat BKN 230-24LON kommunikációs és tápegység

Kommunikációs és tápegység	BKN 230-24LON
Névleges feszültség	AC 230 V 50/60 Hz
Teljesítményfelvétel	14 W (működtető szerkezettel együtt)
Méretezés	16 VA (működtető szerkezettel együtt)
Védelmi osztály	II
Védettségi fokozat	IP 40
Környezeti hőmérséklet	-30°C ... +50°C
Hőmérséklet nyugalmi helyzetben	-40°C ... +80°C
Csatlakoztatás	
- hálózat	kábel 1 m, EURO csatlakozódugóval
- motor (BF... - Top)	4-pólusú csatlakozó
- LonWorks hálózat	csavaros csatlakozó, 2-pólusú
- indító szerkezet (opcionális)	csavaros csatlakozó, 2-pólusú
- Top-Line PC-Tool (ZIP-RS232 segítségével)	3-pólusú csatlakozó



24. ábra BKN 230-24LON kommunikációs és tápegység



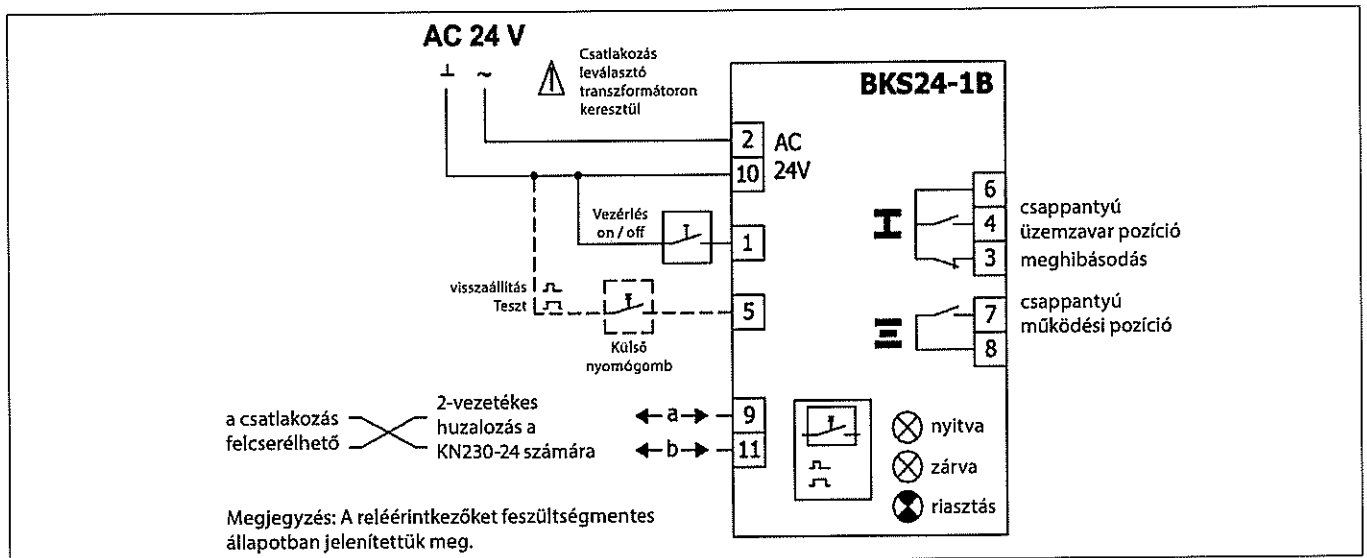
3. Kommunikációs és vezérlőegységek

3.1. BKS 24-1B kommunikációs és vezérlőegység

A BKS 24-1B kommunikációs és vezérlőegységet BF 24-TN-ST (BFL 24-T-ST, BFN 24-T-ST) működtető szerkezettel ellátott tűzvédelmi csappantyú vezérlésére és ellenőrzésére alkalmazzák a BKN 230-24 táp- és kommunikációs egységgel együtt. A BKS 24-1B kommunikációs és vezérlőegység fogadja a BKN 230-24 táp- és kommunikációs egységen keresztül érkező, a tűzvédelmi csappantyú állapotára vonatkozó információkat és kiadja a vezérlő parancsokat. A készüléket az elosztó panelba történő beépítésre tervezték. A készülék homlokoldalán található világító diódák jelzik a csappantyú működési állapotát és a teljes rendszer üzemzavarait. A potenciálmentes kiegészítő érintkezők lehetővé teszik a fő vezérlőrendszerhez történő csatlakozást (a csappantyú helyzetének kijelzése, hibaüzenetek, ventilátor indítása stb.).

A zöld színű LED jelzőlámpa villogása jelzi a csappantyú lapátjának mozgását a megadott pozíció felé, ugyan ez a jelzőlámpa folyamatos világítással jelzi, hogy a lapát elérte a kívánt helyzetet. Ha a csappantyú lapátja az előre meghatározott megadott idő alatt, nem éri el a kívánt pozíciót, a piros színű LED jelzőlámpa villogni kezd, és ezzel egyidőben a hibaérintkező aktívra válik. Amint a csappantyú lapátja eléri a kívánt pozíciót, ez az érintkező deaktiválódik. A LED jelzőlámpa mindaddig folyamatosan villog, amíg a hibát a RESET gombbal fel nem oldják. A hibaüzeneteken kívül további három kiegészítő érintkező áll rendelkezésre. A csappantyúnak az érintkezők által mutatott működési és hiba pozíciója akkor aktív, ha a csappantyú a megadott pozícióban van. Működés-ellenőrzést a „RESET/TEST” gomb megnyomásával és hosszabb ideig történő nyomva tartásával lehet elvégezni. Amíg a gombot nyomva tartják, a csappantyú lapátja a hiba pozíciójának irányába mozog. A hibás működést a LED jelzőlámpa mutatja. BKS 24-1B kommunikációs és vezérlőegység 11 pólusú ZSO-11 csatlakozóval köthető be a DIN 35 mm panelre.

25. ábra BKS 24-1B kommunikációs és vezérlőegység



világító diódák			érintkezők	Leírás
nyitva	zárva	riasztás	állapot	Okok/folyamat
⊗ zárva	⊗ zárva	⊗ zárva	[6] → [3]	Az AC 24 V tápellátás nem áll rendelkezésre
⊗ nyitva	⊗ nyitva	⊗ nyitva	[6] → [3]	Ellenőrző vizsgálat kb. 35 másodperc, az AC 24 V tápellátás bekapcsolásával, vagy a «Reset/Test» gomb megnyomásával indítható
⊗ zárva	⊗ zárva	⊗ villogás	[6] → [3]	Aktuális üzemzavar, lehetséges okok: • rövidzárlat, vagy szakadás a 2-vezetékes huzalozásban, vagy csappantyú meghibásodás (a BKN egységen stb.) • Az AC 230 V tápellátás hiányzik • a termoelektromos kioldó szerkezet meghibásodott • a füstérzékelő aktív • letelt a működési idő • a csappantyú megszorult
⊗ zárva	⊗ zárva	⊗ nyitva	[6] → [3]	Hiba elmentve a memóriába • A rendszerben keletkezett üzemzavar jelezve, el kell végezni a rendszer ellenőrzését
⊗ zárva	⊗ villogás	⊗ zárva	[6] → [4]	A csappantyú (meghajtás) a meghibásodási állapot irányába fordul
⊗ zárva	⊗ nyitva	⊗ zárva	[6] → [4]	Csappantyú (meghajtás) meghibásodási állapotban
⊗ villogás	⊗ zárva	⊗ zárva	[6] → [7]	A csappantyú (meghajtás) a működési állapot irányába fordul
⊗ nyitva	⊗ zárva	⊗ zárva	[6] → [7]	Csappantyú (meghajtás) működési állapotban

3.1.1. táblázat BKS 24-1B kommunikációs és vezérlőegység

Kommunikációs és vezérlőegység	BKS 24-1B
Névleges feszültség	AC 24 V 50/60 Hz
Teljesítményfelvétel	2,5 W (üzemi állapot)
Méretezés	5 VA
Védelmi osztály	III
Védettségi fokozat	IP 30
Környezeti hőmérséklet	0°C ... +50°C
Csatlakoztatás	A ZSO-11, 11-pólusú csatlakozó nem tartozéka a BKS24-1B kommunikációs és vezérlőegységnek, A 11 pólusú ZSO-11 egy csavaros csatlakozó, 11 x 1,5 mm ²

3.2. BKS 24-9A kommunikációs és vezérlőegység

A BKS 24-9A kommunikációs és vezérlőegységet a BF 24-TN-ST (BFL 24-T-ST, BFN 24-T-ST) működtető szerkezettel ellátott 1-9 tűzvédelmi csappantyúk csoportos vezérléséhez és ellenőrzéséhez használják, a BKN 230-24 táp- és kommunikációs egységgel összefüggésben. A csappantyúk helyzetének kijelzése egyedileg történik; a csappantyúkat vezérelni és tesztelni csak csoportként lehet.

A BKS 24-9A kommunikációs és vezérlőegységet az elosztó panelban történő használatra tervezték, a csatlakoztatott tűzvédelmi csappantyúk működési állapotát és a hibaüzeneteket jelenti meg. Lehetőség van olyan funkciók kijelzése, mint a csappantyú helyzete, és hibaüzenetek, vagy ezek továbbítása a rendszerhez, beépített segédkapcsolókkal. A BKS 24-9A kommunikációs és vezérlőegység fogadja a BKN 230-24 táp- és kommunikációs egységtől a 2-vezetékes huzalozáson keresztül érkező jeleket és kiadja a vezérlőparancsokat. A csappantyú megfelelő működését jelzi a két világító LED dióda:

Vezérlés BE = MŰKÖDÉSI helyzet

Vezérlés KI = ÜZEMZAVAR helyzet

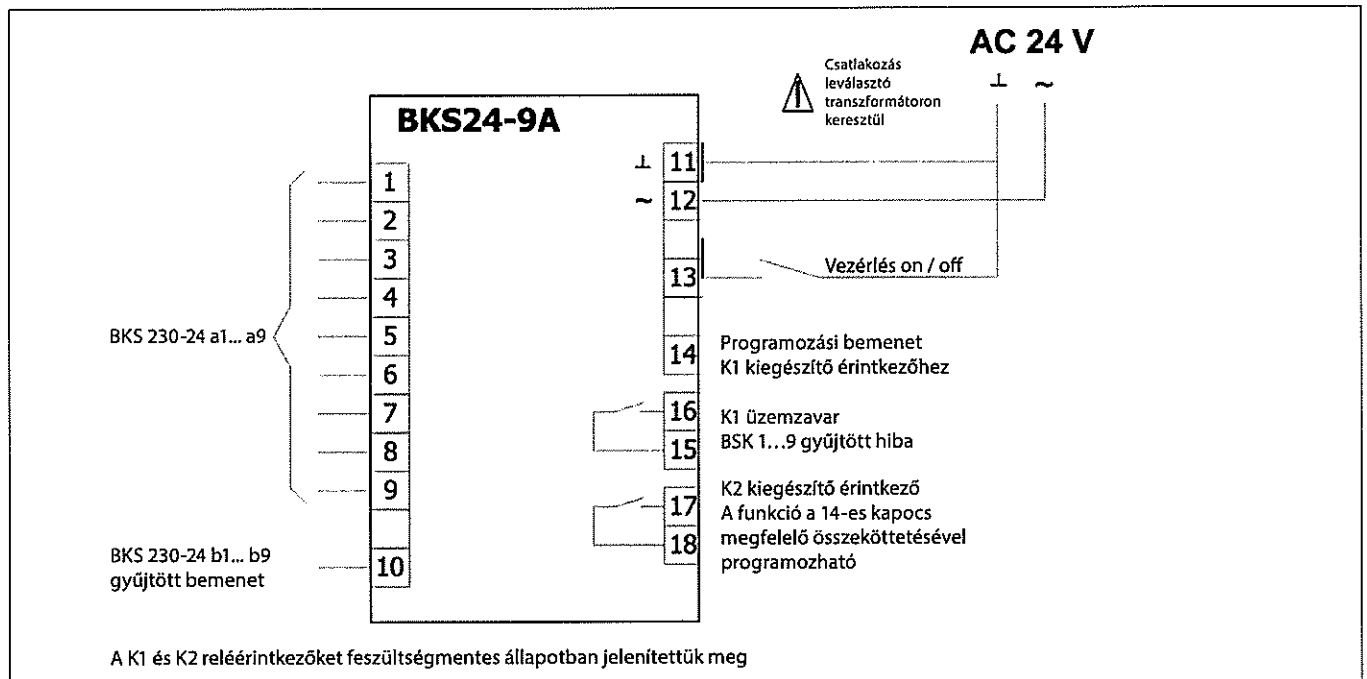
Amennyiben a tűzvédelmi csappantyú az engedélyezett átállási idő alatt nem éri el a megadott pozíciót, a megfelelő ÜZEMZAVAR világító dióda villogni kezd és a K1 érintkező elenged (aktuális üzemzavar). Abban az esetben, ha a meghibásodott csappantyú végül eléri a megadott pozíciót, a K1 érintkező meghúz és a hibát jelző fény világít (megtörtént a hiba elmentése a memóriába). K2-t - a kiegészítő érintkezőt - a lapát helyzetének megjelenítésére használják a Master készüléken. Ennek a kiegészítő érintkezőnek a működését a 14-es csatlakozón keresztül programozni lehet a 3.2.1. táblázatban foglaltak szerint.

3.2.1. táblázat BKS 24 -9A kommunikációs és vezérlőegység K1 és K2 érintkezők

A K1 érintkező funkciója		A K2 kiegészítő érintkező programozása		
Helyzet	Állapot	Funkció	Összekapcsolás	Állapot
Jelenlegi meghibásodás	15 16	A K2 érintkező akkor van bekapcsolva, ha minden csappantyú nyitva van	14 - 11	
Nincs meghibásodás	15 16	A K2 érintkező akkor van bekapcsolva, ha csappantyú 1. nyitva van	14 - 12	17 18
		A K2 érintkező akkor van bekapcsolva, ha minden csappantyú zárva van	14 nyitva	

MŰKÖDÉS állapotban a funkcióellenőrzést a TEST gomb megnyomásával lehet elvégezni. Amíg a gombot nyomva tartja, a csappantyú lapátja az ÜZEMZAVAR helyzet felé fordul el. A hibás működést az „ÜZEMZAVAR” üzenet jelzi. A BKS 24 - 9A kommunikációs és vezérlőegység összeszerelését és csatlakoztatását a DIN 35 mm panellel lehet elvégezni. 9 pólusú csatlakozódugóval lehet csatlakoztatni.

26. ábra BKS 24-9A kommunikációs és vezérlőegység



3.2.2. táblázat BKS 24-9A kommunikációs és vezérlőegység

Kommunikációs és vezérlőegység	BKS 24-9A
Névleges feszültség	AC 24 V 50/60 Hz
Teljesítményfelvétel	3,5 W
Méretezés	5,5 VA
Védelmi osztály	III
Védettségi fokozat	IP 30
Környezeti hőmérséklet	0°C ... +50°C
Csatlakoztatás	kapocs 2 x 1,5 mm ²

4. Méretek, súlyok és hasznos felület

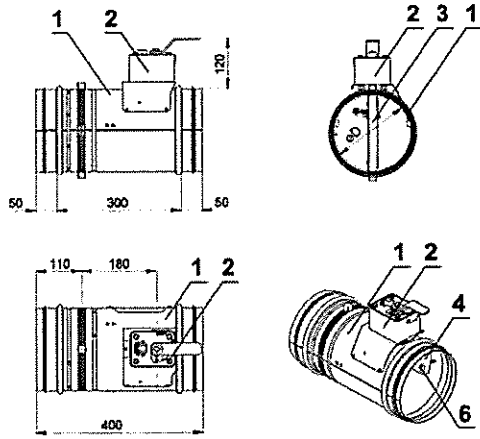
4.1. Méretek, súlyok és hasznos felület

4.1.1. táblázat Méretek, súlyok és hasznos felület

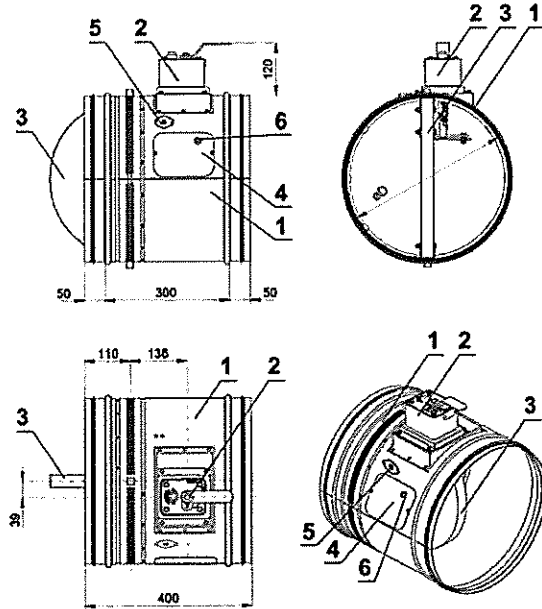
Névleges méret ØD [mm]	a [mm]	c [mm]	Súly		Hasznos felület S _{ef} [m ²]	Lemez- vastagság [mm]	Működtető szerk.	Mechanika
			kivitel változat					
			kézi [kg]	Műk. szerk. [kg]				
100	-	-	2,9	2,1	0,0031	20	BFL	M1
125	-	-	3,1	2,4	0,0062	20	BFL	M1
140	-	-	3,5	2,6	0,0085	20	BFL	M1
150	-	-	3,6	2,8	0,0103	20	BFL	M1
160	-	-	3,7	3	0,0123	20	BFL	M1
180	-	-	3,8	3,3	0,0166	20	BFL	M1
200	-	-	4,5	3,7	0,0215	20	BFL	M1
225	-	-	5,3	4,4	0,0275	25	BFL	M1
250	-	9	5,8	4,9	0,0354	25	BFL	M2
280	-	24	6,1	5,5	0,0462	25	BFL	M2
315	-	41,5	6,9	6,3	0,0606	25	BFL	M2
355	-	61,5	9,9	9,3	0,0776	30	BFL	M2
400	-	84	11,1	10,5	0,1015	30	BFL	M2
450	-	109	11,3	11,9	0,1318	30	BFN	M3
500	-	134	14	13,4	0,1661	30	BFN	M3
560	-	164	16,6	15,5	0,2123	30	BFN	M3
630	19	199	18,5	23,7	0,2735	30	BF	M4
710	58,5	238,5	26,9	32,1	0,3446	40	BF	M4
800	103,5	283,5	31,9	37,1	0,4448	40	BF	M4

27. ábra Spirálkorcolt csőbe építhető változat mechanikus működtetéssel

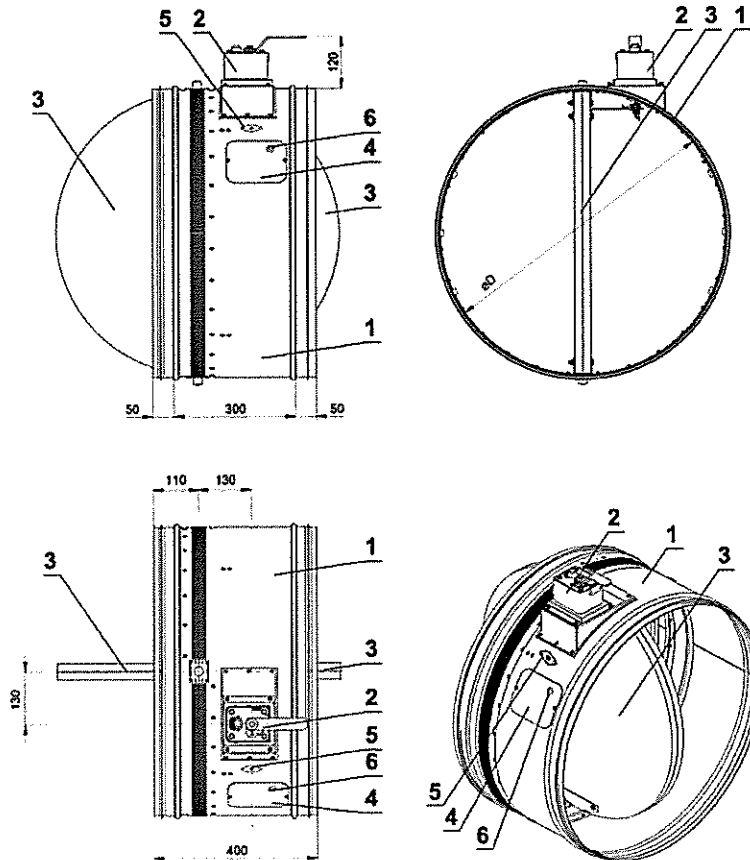
DN 100 - DN 315



DN 350 - DN 500



DN 560 - DN 800

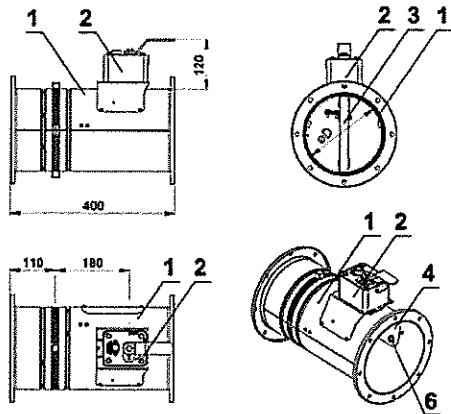


Tétel:

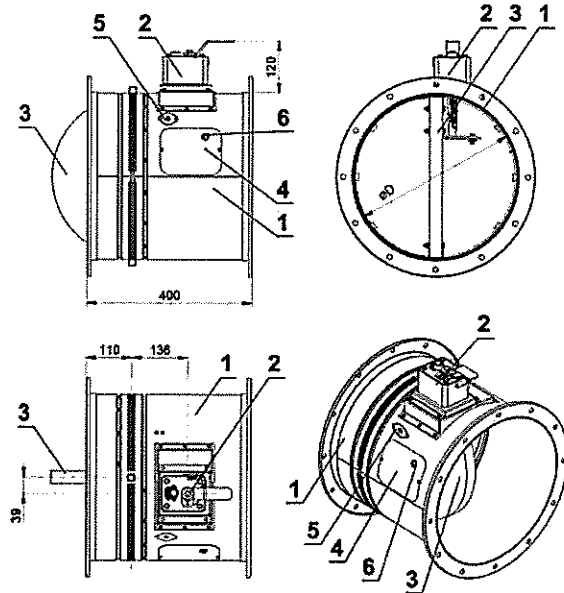
- 1 Csappantyú burkolata
- 2 Működtető szerkezet
- 3 Csappantyú lapát
- 4 Ellenőrző nyílás fedél
- 5 Érzékelő címke
- 6 Furat kamera számára

28. ábra Peremes változat mechanikus működtetéssel

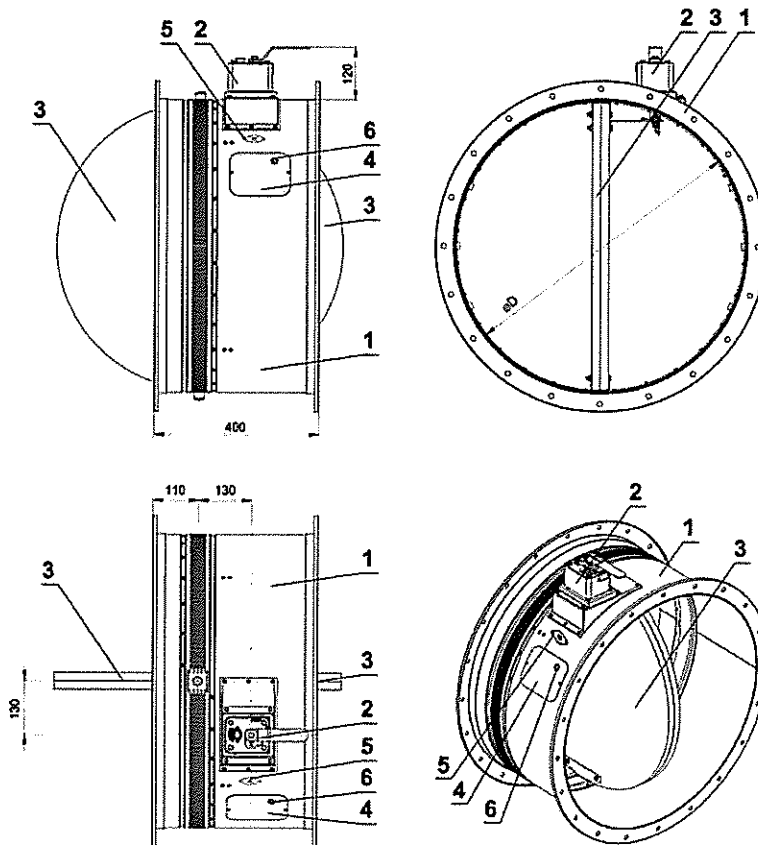
DN 100 - DN 315



DN 350 - DN 500



DN 560 - DN 800

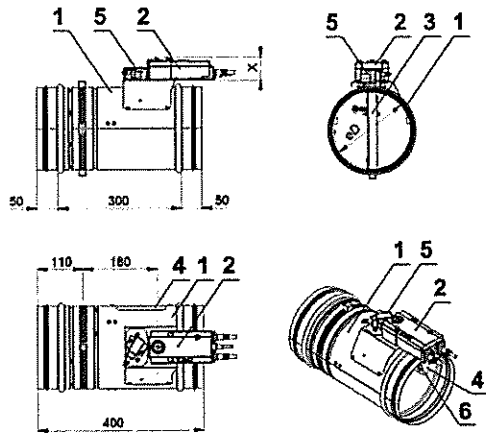


Tétel:

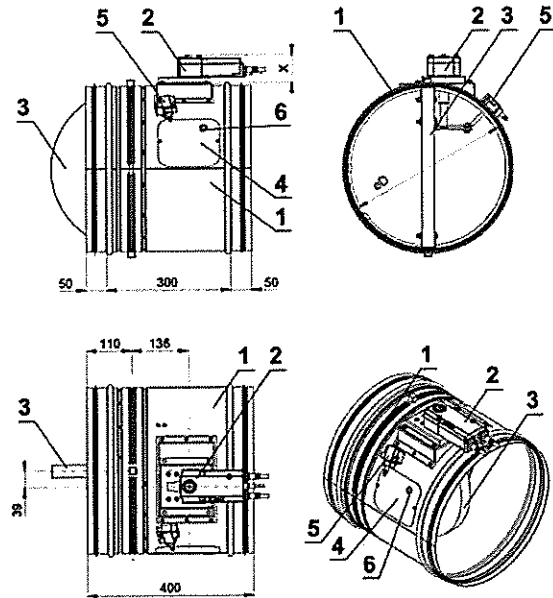
- 1 Csappantyú burkolata
- 2 Működtető szerkezet
- 3 Csappantyú lapát
- 4 Ellenőrző nyílás fedél
- 5 Érzékelő címke
- 6 Furat kamera számára

29. ábra Spirálkorcolt csőbe építhető változat működtető szerkezettel

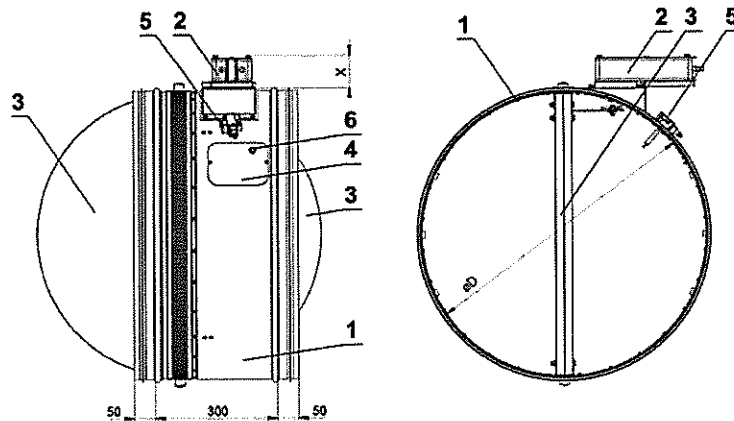
DN 100 - DN 315



DN 350 - DN 500



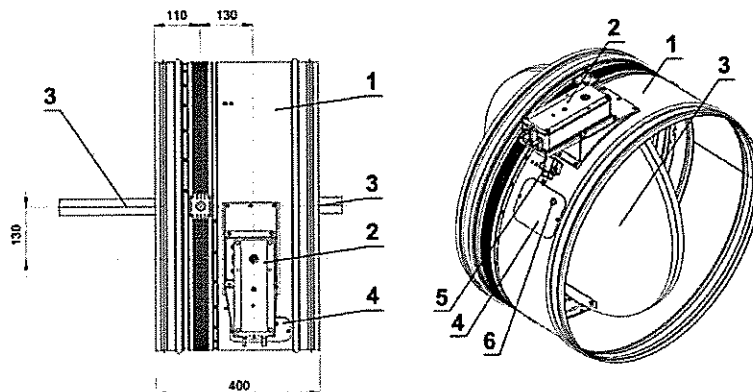
DN 560 - DN 800



X=53 mm (BFL) *
 X=72 mm (BFN) *
 X=78 mm (BF) *

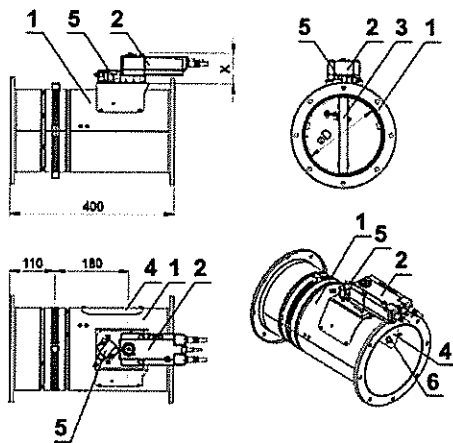
Tétel:

- 1 Csappantyú burkolata
- 2 Működtető szerkezet
- 3 Csappantyú lapát
- 4 Ellenőrző nyílás fedél
- 5 BAT termoelektromos kioldó szerkezet
- 6 Furat kamera számára

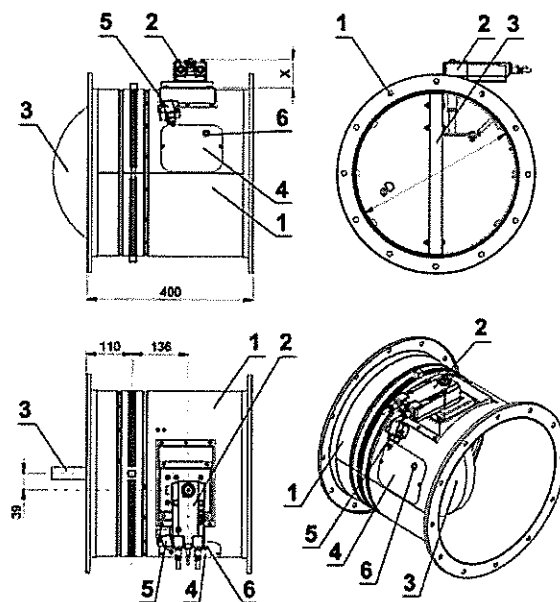


30. ábra Peremes változat működető szerkezettel

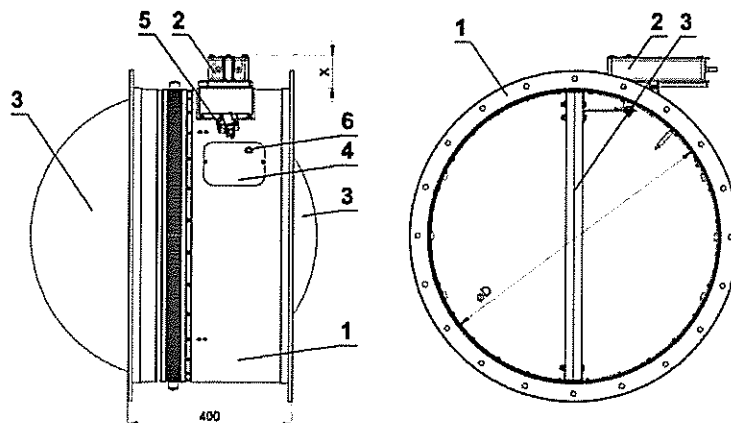
DN 100 - DN 315



DN 350 - DN 500



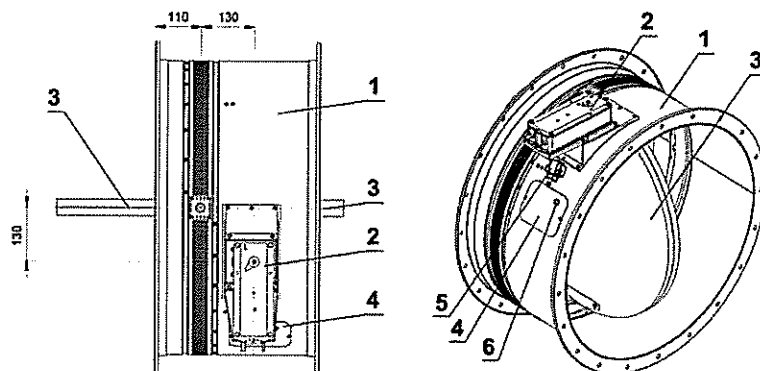
DN 560 - DN 800



X=70 mm (BFL - DN 100 + DN 315)
 X=53 mm (BFL - DN 355 + DN 400)
 X=72 mm (BFN) *
 X=78 mm (BF) *

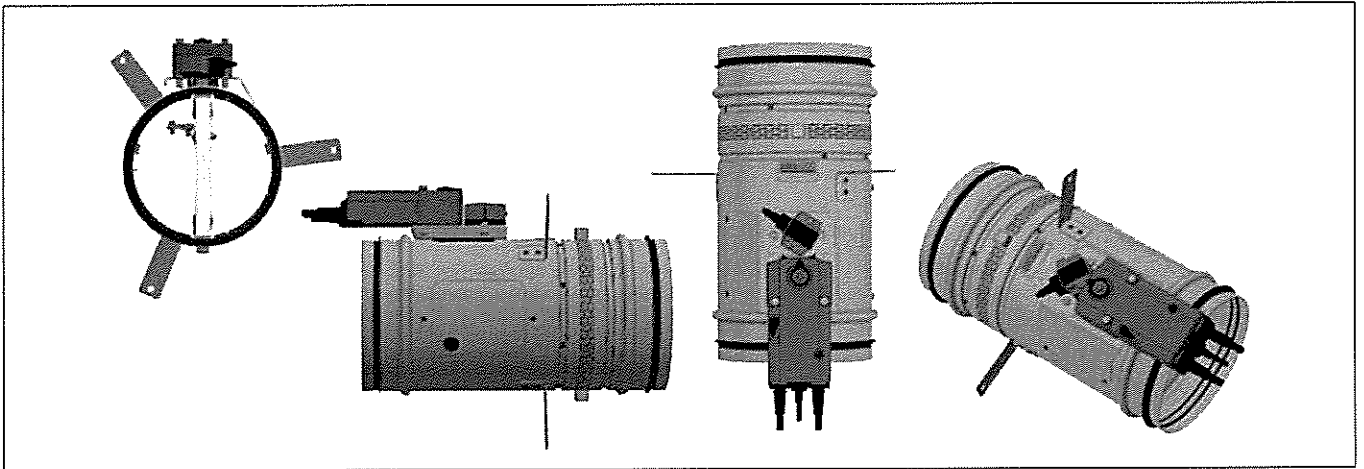
Tétel:

- 1 Csappantyú burkolata
- 2 Működtető szerkezet
- 3 Csappantyú lapát
- 4 Ellenőrző nyílás fedél
- 5 BAT termoelektromos kioldó szerkezet
- 6 Furat kamera számára



* A működető szerkezet hozzárendelése különböző méretekhez 4.1.1. táblázat

31. ábra Tűzvédelmi csappantyú felszereléshez szükséges tartókkal



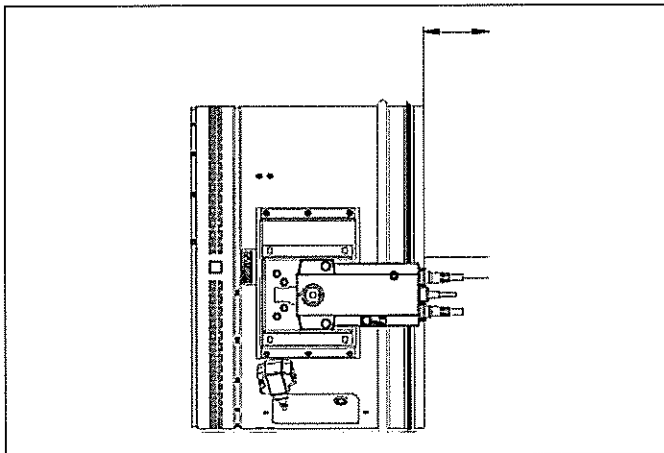
4.2. A lapátok túlnyúlása

4.2.1. táblázat Lapátok túlnyúlása

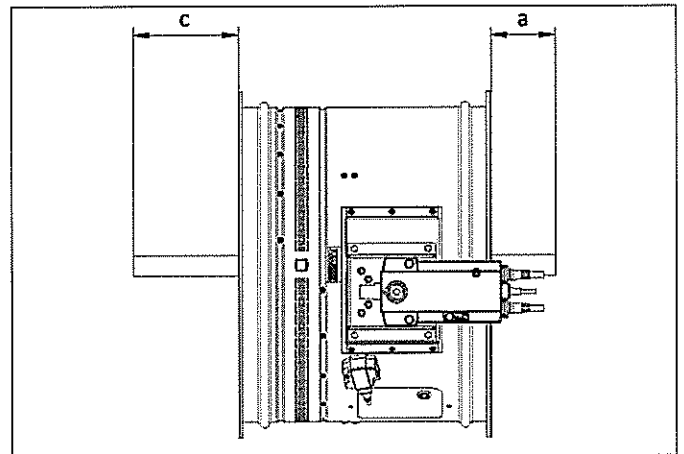
A lapátok túlnyúlása	Működtető szerkezet oldal	Méret	Túlnyulás
Spirálkorcolt csőbe építhető csappantyú 32. ábra	Működtető szerkezet oldal	„a”	4.1.1. táblázat
	Működtető szerkezet nélküli oldal	„c”	4.1.1. táblázat
Peremes csappantyú 33b. ábra	Működtető szerkezet oldal	„a”	4.1.1. táblázat
	Működtető szerkezet nélküli oldal	„c”	4.1.1. táblázat

Ezeket az értékeket figyelembe kell venni a csatlakozó légtechnikai vezeték méretezésénél.

32. ábra Lapátok túlnyúlása - spirálkorcolt csőbe építhető csappantyú



33. ábra Lapátok túlnyúlása - peremes csappantyú



4.3.

A .60 kiviteli változat esetében (BKN táp- és kommunikációs egységgel) a működtető szerkezettel (a 4.4.1 táblázatból) kiegészített csappantyú súlyához hozzá kell adni a BKN egység súlyát (0,5 kg).

4.4.

A csappantyú csatlakozó peremét az EN 12 220 szabvány előírásai szerint kell méretezni. Abban az esetben, ha a csappantyút spirálkorcolt csőbe kell beépíteni, a kör keresztmetszetű csappantyúkat perem nélkül szállítjuk, így lehetőség van külső csatlakozó idommal történő összekapcsolásra (ezt az igényt meg kell adni a rendelésben).

5. Elhelyezés és összeszerelés

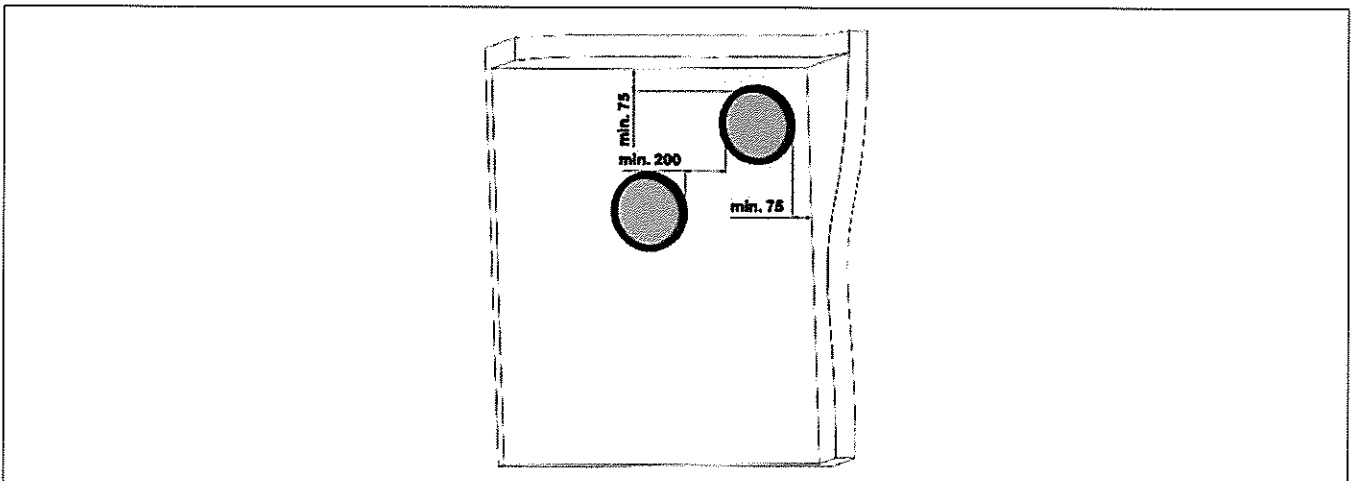
5.1.

A tűzvédelmi csappantyúk alkalmasak függőleges és vízszintes tűzgátló szerkezetekben készített áttörésekbe, tetszőleges helyzetben történő beszerelésére. A csappantyút úgy kell a tűzgátló szerkezet áttörésébe beépíteni, hogy tűzgátló szerkezet felől a csappantyú szerkezetére semmilyen teherátadás ne következhesen be. Az egymás után szerelt légtechnikai vezetékeket úgy kell felfüggeszteni, vagy alátámasztani, hogy a csővezetésekről semmilyen teherátadás se következhesen be a csappantyú peremeire. A beépített csappantyú és az épület szerkezete között meglévő rést teljes térfogatában megfelelő anyaggal tökéletesen ki kell tölteni. Annak érdekében, hogy a vezérlőegységhez történő hozzáféréshez szükséges hely rendelkezésre álljon, minden más elemet legalább 350 mm távolságra kell a csappantyú szabályozó alkatrészeitől elhelyezni. Legalább egy ellenőrző nyílás hozzáférhető kell legyen. A csappantyút úgy kell beépíteni, hogy a csappantyú lapátja (zárt állapotban) a tűzgátló szerkezeten belül helyezkedjen el - a csappantyú házán meg kell jelölni BEÉPÍTETT PEREM feliratú matricával. Ha ez a megoldás nem lehetséges, a tűzgátló szerkezet és a csappantyú lapátja közötti csőszakaszt a tanúsított szerelési eljárásnak megfelelően védelemmel kell ellátni, lásd 6. szakasz.

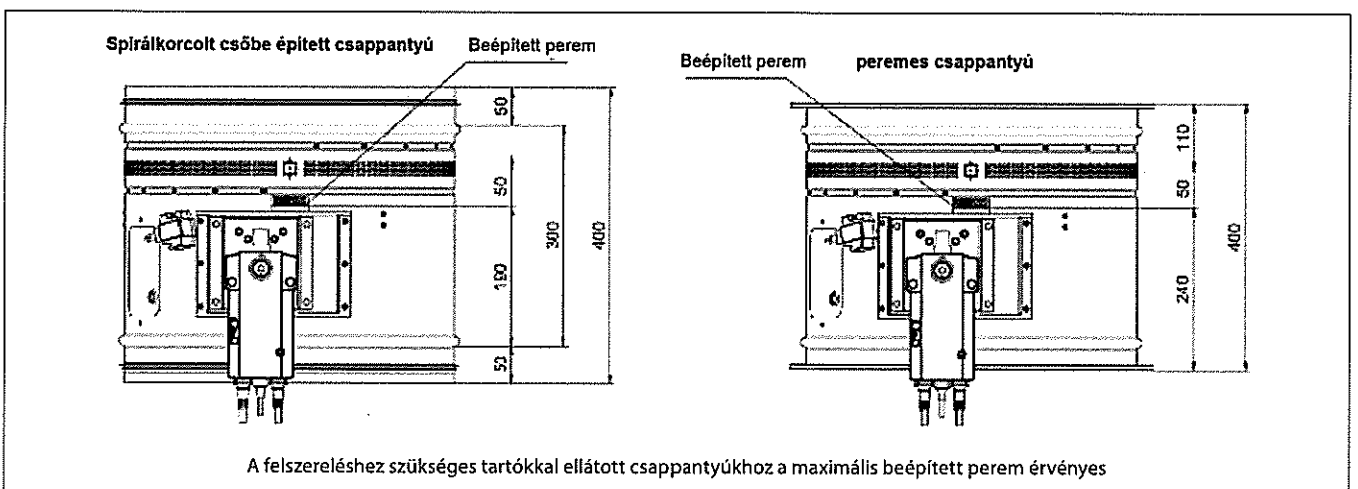
A beépítés és a bevakolás során a vezérlő szerkezetet rongálódás és szennyeződés ellen védeni kell (be kell takarni). A csappantyú házát a befalazás során nem szabad eldeformálni. Ha a csappantyút egyszer beépítették, a csappantyú lapátja nyitáskor, vagy záráskor nem súrolhatja a csappantyú házát.

A tűzvédelmi csappantyú és az épített szerkezet (fal, földem) közötti távolság legalább 75 mm kell legyen. Ha két, vagy több csappantyút kell beépíteni egy tűzgátló szerkezetbe, a szomszédos csappantyúk közötti távolság, az EN 1366-2 szabvány 13.5 paragrafusában foglaltaknak megfelelően, legalább 200 mm kell legyen. A megengedett kivételeket lásd a 6. szakaszban.

34. ábra Távolság a tűzvédelmi csappantyú és az épített szerkezet között



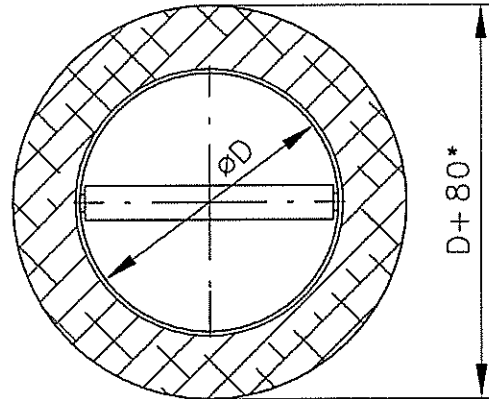
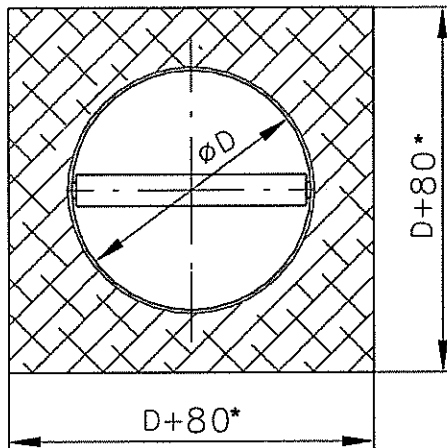
35. ábra Beépített perem



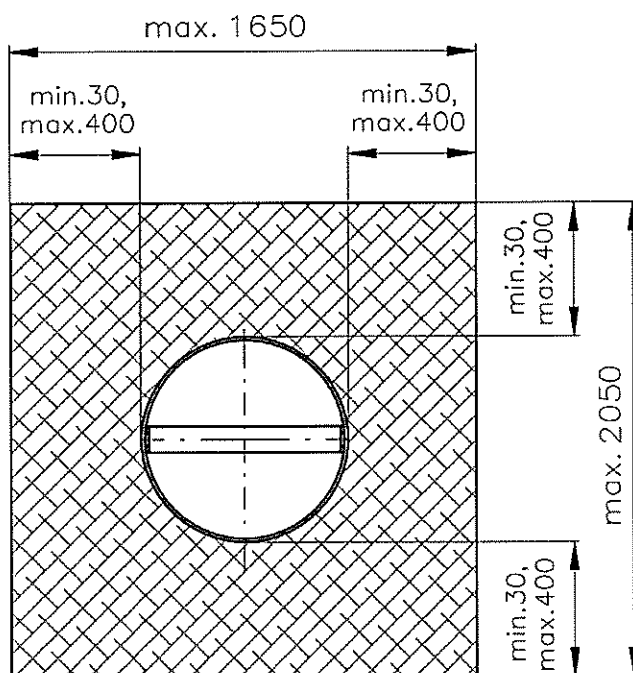
36. ábra Szerelőnyílás

Szerelőnyílás – kör keresztmetszetű csappantyú

Szerelőnyílás – kör keresztmetszetű csappantyú



Szerelőnyílás – kör keresztmetszetű csappantyú,
légválaszfalas-rendszer



* Peremes csappantyúkra a $D + 160$ mm érvényes

5.2. Példák a tűzvédelmi csappantyú beépítésére

A tűzvédelmi csappantyút be lehet építeni pl. legalább 100 mm vastagságú betonból, vagy porózus betonból készült tömör falszerkezetbe, illetve pl. legalább 110 mm vastagságú normál betonból, vagy legalább 125 mm vastagságú porózus betonból készült tömör földémszerkezetbe.

A tűzvédelmi csappantyút ugyancsak be lehet építeni EI 120 vagy EI 90 tűzvédelmi besorolású gipszkarton falszerkezetbe.

6. Szereléssel kapcsolatos útmutatások

6.1. A beépítési lehetőségek áttekintése

6.1.1. táblázat A beépítési lehetőségek áttekintése

Tűzgátló szerkezet	Fal/födém Minimális vastagság [mm]	Beépítési lehetőségek	Tűzállóság	Oldal	
Tömör falszerkezet	100	Vakolat vagy gipsz	EIS 120 EIS 90	28	
	100	Tömítő doboz tűzvédelmi töltőanyaggal	EIS 60	28	
	100	Tömítő doboz tűzvédelmi töltőanyaggal és burkolattal	EIS 90	29	
	100	Tűzvédelmi hab stukkó vakolattal	EIS 60 EIS 45 EIS 30	29	
	100	Rekesz – vakolat, vagy gipsz	EIS 90	30	
	100	Beépítés a falba – vakolat, vagy gipsz és ásványgyapot	EIS 90	31	
	100	Beépítés a falba – vakolat, vagy gipsz	EIS 90	32	
	100	Beépítés a falba – R1, R2, R3, R4, R5 szerelőkeret és ásványgyapot	EIS 90	32, 33	
	100	Tömítő doboz tűzvédelmi töltőanyaggal és cementhabarcs lemezzel	EIS 90	34	
	100	R1, R2, R3, R4, R5 szerelőkeret	EIS 90	35	
	100	Lágy válaszfal	EIS 90	36	
	100	Rekesz – R1 szerelőkeret	EIS 90	37	
	Tömör falszerkezeten kívül	100	Ásványgyapot – vakolat vagy gipsz ISOVER MAXIMÁLIS VÉDELEM	EIS 90 EIS 60	38
		100	Ásványgyapot – tömítő doboz tűzvédelmi töltőanyaggal ISOVER MAXIMÁLIS VÉDELEM	EIS 90 EIS 60	38
100		Ásványgyapot, tömítő doboz tűzvédelmi töltőanyaggal és cementhabarcs lemezzel	EIS 90	39	
100		Szigetelés cementhabarcs lemezzel – R6 szerelőkeret	EIS 90	40	
Gipszkarton falszerkezet	100	Vakolat, vagy gipsz	EIS 120 EIS 90	41	
	100	Tömítő doboz tűzvédelmi töltőanyaggal	EIS 60	41	
	100	Tömítő doboz tűzvédelmi töltőanyaggal és burkolattal	EIS 90	42	
	100	Tűzvédelmi hab stukkó vakolattal	EIS 60 EIS 45 EIS 30	42	
	100	Rekesz – vakolat, vagy gipsz	EIS 90	43	
	100	Beépítés a falba – vakolat, vagy gipsz és ásványgyapot	EIS 90	44	
	100	Beépítés a falba – vakolat, vagy gipsz	EIS 90	45	
	100	Beépítés a falba – R1, R2, R5 szerelőkeret és ásványgyapot	EIS 90	45, 46	
	100	Tömítő doboz tűzvédelmi töltőanyaggal és cementhabarcs lemezzel	EIS 90	47	
	100	R1, R2, R3, R4, R5 szerelőkeret	EIS 90	48	
	100	Lágy válaszfal	EIS 90	49	
	100	Rekesz – R1 szerelőkeret	EIS 90	50	
	100	Rugalmas födém – R7 szerelőkeret	EIS 90	51	